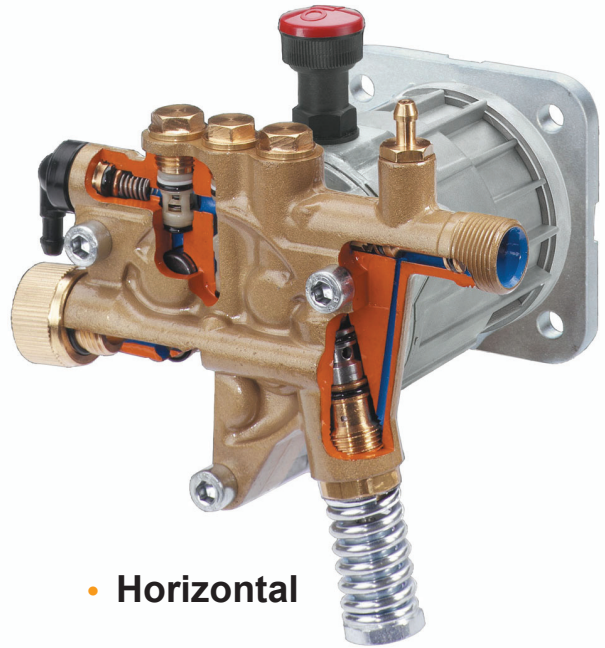


# VRX Series Consumer Pumps



• **Vertical**

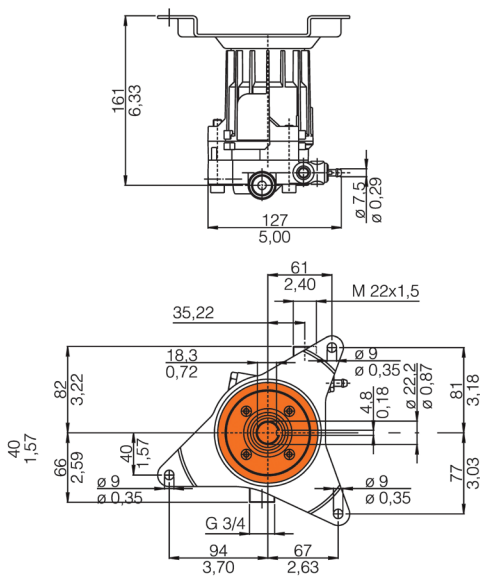


• **Horizontal**

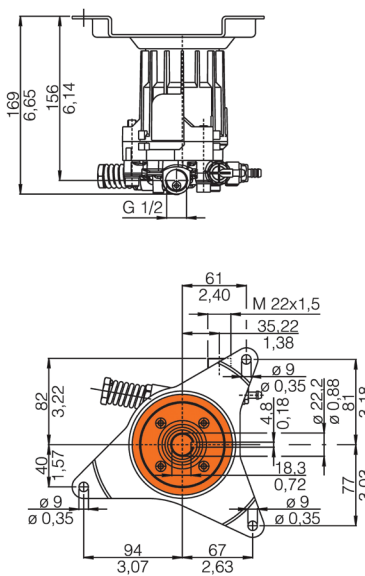
- 3/4" Inlet – 3/8" MPT Outlet
- Brass Head
- Special Aluminum Alloy Head with High Resistance to Corrosion (VRX 2017 V only)
- Built in Unloader with Chemical Injector
- Built in Easy Start
- High Efficiency Suction-Delivery Valves

- Stainless Steel Plungers
- Aluminum Crankcase without Need of Oil Replacement
- Optional Thermal Relief Valve (#5026.0276.00)
- Optional Garden Hose Tail (Brass 2800.0511.00 or Plastic)

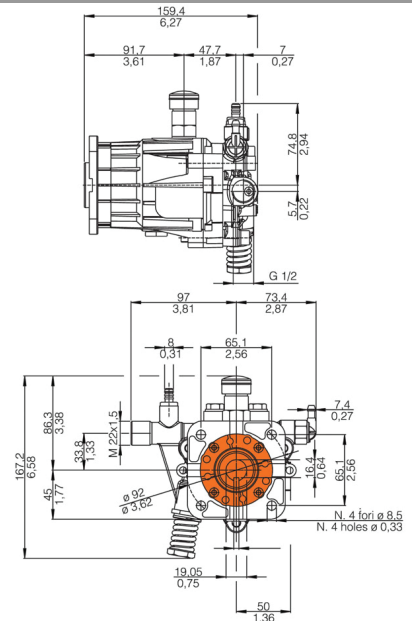
**Takes 4.5 Ounces Pump Oil**



**Vertical  
VRX-V 2017**



**Vertical  
VRX-V 2022, 2422**



**Horizontal  
VRX-G**



**VRX SERIES > Pumps-Vertical**

- 3/4" Inlet – 3/8" MPT Outlet

PART #	MODEL #	GPM	PSI	RPM	SHAFT	PISTON	WT	LIST PRICE
6511.0012.00	VRX 2017 V L46 AL ES	2.0	1700	3200	7/8"	14mm	8.0	\$275.00
6511.0023.00	VRX 2017 V L80 AL	2.0	1700	3200	7/8"	14mm	7.8	\$310.00
6511.0004.00	VRX 2022 V L46	2.0	2200	3200	7/8"	14mm	8.9	\$360.00
6511.0017.00	VRX 2022 V L80	2.0	2200	3200	7/8"	14mm	7.8	\$375.00
6511.0008.00	VRX 2422 V L80	2.3	2200	3200	7/8"	14mm	9.0	\$390.00

\*May be made into four-hole mount with flange 3016.0042.00

**VRX SERIES > Pumps-Horizontal**

- 3/4" Inlet – 3/8" MPT Outlet

PART #	MODEL #	GPM	PSI	RPM	SHAFT	PISTON	WT	LIST PRICE
6511.0005.00	VRX 2522 G	2.4	2200	3400	3/4"	14mm	8.6	\$365.00
6511.0015.00	VRX 2524 G	2.4	2400	3400	3/4"	14mm	7.8	\$420.00
6511.0020.00*	VRX 2225 G TR	2.2	2500	3400	3/4"	14mm	8.0	\$435.00
6511.0025.00	VRX 2527 G	2.5	2700	3400	3/4"	14mm	7.8	\$420.00
6511.0033.00	VRX 2527 G7	2.5	2700	3400	7/8"	14mm	8.8	\$420.00

\*TR-Thermal Relief

**VRX Repair Kits (Kits also on Pages 30 & 31)**

5026.0260.00	Piston Kit, All VRX Pumps	\$53.52	5026.0257.00	Valve Kit, 2200 PSI	\$46.18
5026.0265.00	Water Seal Kit, 1700 PSI	\$19.44	5026.0263.00	Valve Kit, 1700 PSI	\$51.27
5026.0256.00	Water Seal Kit, 2200+PSI	\$54.94	5026.0270.00	Valve Kit, 2400+ PSI	\$60.35
			5026.0258.00	Regulator Valve Kit	\$78.69



# BXD Series Commercial Pumps



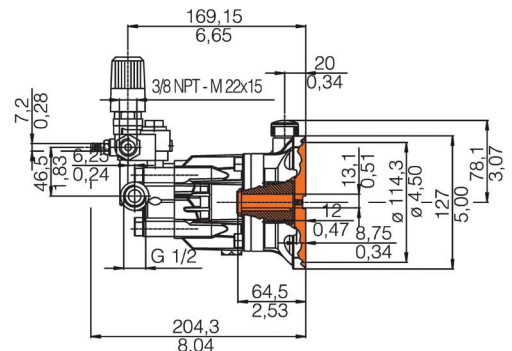
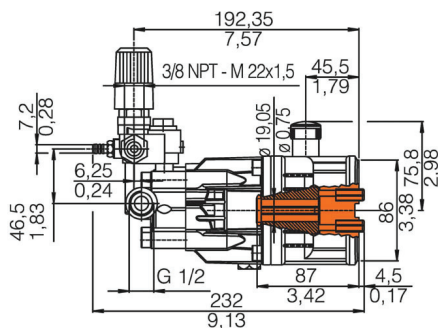
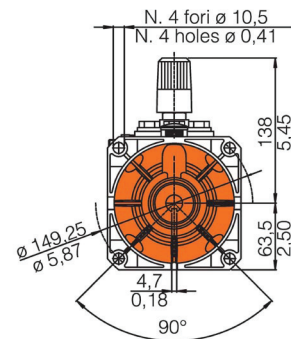
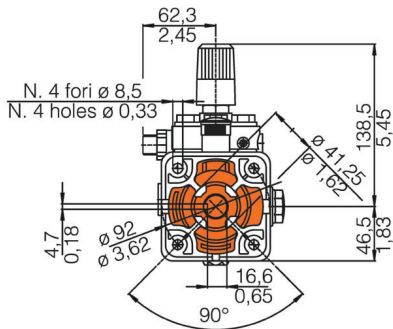
- 1/2" Inlet (GH not included) – 3/8" MPT Outlet
- Built-in Uniflow Unloader and Chemical Injector
- Built-in Easy Start
- Stainless Steel Plungers (Ceramic Optional)
- Steel Shaft with Built-in Key
- One Oil Cap for Travel and Operation
- Stainless Steel Check Valves
- Forged Brass Manifold
- Patent Registered Ball Bearing Design
- Optional Built-in Thermal Protector (#1215.0354.00)
- Optional Built-in Pressure Relief Valve (#1215.0311.00)
- Optional Built-in GH Inlet (#2800.0511.00)

• Torque Specs Available on Page 31

**Pallet Qty: 72-Boxed; 72 Egg-Crated**

• Additional Flows & Pressures are Available Upon Request

**Takes 4 Ounces Pump Oil**



**Gas Flange  
BXD-G**

**Electric Flange  
BXD-E**



## BXD SERIES > Pumps-Gas Flange

### 3400 RPM - 3/4" Hollow Shaft

• 1/2" Inlet – 3/8" MPT Outlet

PART #	MODEL #	GPM	PSI	RPM	SHAFT	PISTON	WT	LIST PRICE
6525.1003.00	BXD 2220 G	2.2	2000	3400	3/4" Hollow	14mm	11.0	\$430.00
6525.1004.00	BXD 3020 G	2.8	2000	3400	3/4" Hollow	14mm	11.0	\$430.00
6525.1001.00	BXD 2525 G	2.2	2500	3400	3/4" Hollow	14mm	11.0	\$465.00
6525.1005.00	BXD 3025 G	2.8	2500	3400	3/4" Hollow	14mm	11.0	\$465.00
6525.1002.00	BXD 2527 G	2.4	2700	3400	3/4" Hollow	14mm	11.0	\$465.00

## BXD SERIES > Pumps-Electric Flange

### 3400 RPM - NEMA 56C-5/8" Hollow Shaft

• 1/2" Inlet – 3/8" MPT Outlet

PART #	MODEL #	GPM	PSI	RPM	SHAFT	PISTON	WT	LIST PRICE
6525.1010.00	BXD 2020 E	1.9	2000	3400	5/8" Hollow	14mm	11.0	\$440.00
6525.0011.00	BXD 2520 E	2.5	2000	3400	5/8" Hollow	14mm	11.0	\$440.00
6525.1012.00	BXD 3020 E	2.8	2000	3400	5/8" Hollow	14mm	11.0	\$440.00

## BXS SERIES > Pumps-Electric Flange

### 1750 RPM - NEMA 56C-5/8" Hollow Shaft

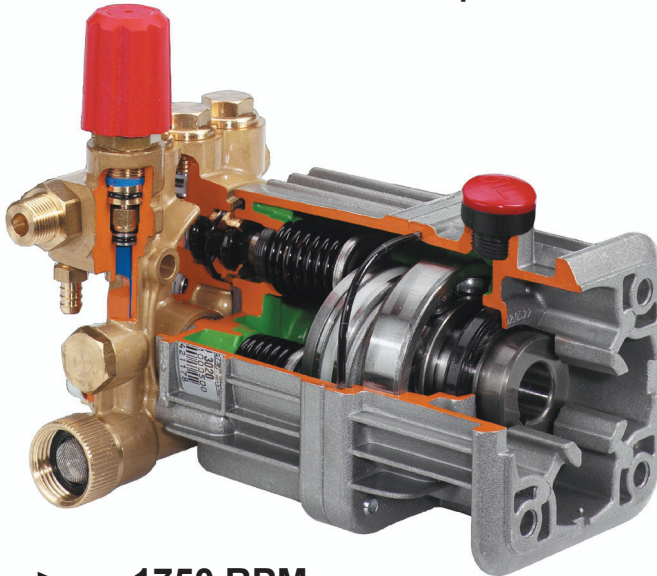
• 1/2" Inlet – 3/8" MPT Outlet

PART #	MODEL #	GPM	PSI	RPM	SHAFT	PISTON	WT	LIST PRICE
6526.1001.00	BXS 0615 E	0.6	1500	1750	5/8" Hollow	14mm	11.0	\$510.00

#### BXD Repair Kits (Kits also on Pages 30 & 31)

5019.0667.00	Seal Kit, Water, Gas	\$73.09
5019.0671.00	Seal Kit, Water, Electric	\$73.39
5025.0027.00	Check Valve Kit	\$73.90
1215.0401.00	Unloader Valve Kit, 1900 PSI	\$97.25
1215.0402.00	Unloader Valve Kit, 2610 PSI	\$97.25
1215.0586.00	Unloader Valve Kit, 4000 PSI	\$112.51

# AX Series Commercial Pumps



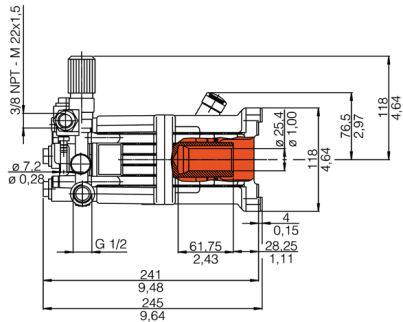
- 3/4" GH Inlet – 3/8" MPT Outlet
- Built-in Uniflow Unloader and Chemical Injector with Inner Stainless Steel Parts
- Abrasion Proof, Heat Resistant, Industrial Ceramic Plungers
- Stainless Steel Unitized Check Valves
- Forged Brass Manifold
- Industrial Duty Construction for Extended Life
- Patent Registered Ball Bearing Design
- Built-in Garden Hose Adapter
- Double-Sealing Buna-Textile V-Packing
- Optional Built-in Thermal Protector (#1215.0354.00)
- Optional Built-in Pressure Relief Valve (#1215.0311.00)

- > 1750 RPM
- > 3400 RPM

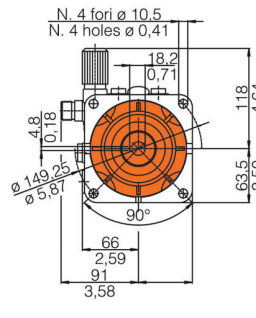
• Torque Specs Available on Page 31

• Additional Flows & Pressures are Available Upon Request

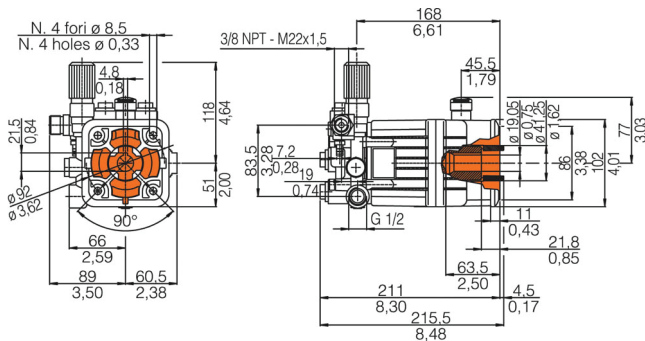
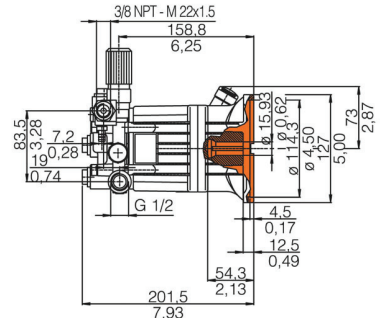
**Takes 6 Ounces Pump Oil**



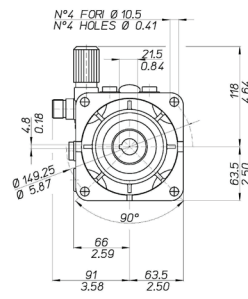
**Gas Flange  
AXD-G 3000 PSI**



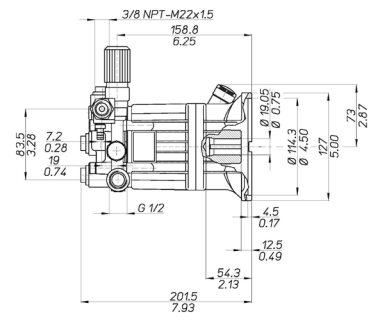
**Electric Flange  
AXD/S-E**



**Gas Flange  
AXD-G 2700 PSI**



**Electric Flange  
AX-GE**





## AXD SERIES > Pumps-Gas Flange

### 3400 RPM - 3/4" Hollow Shaft

Pallet Qty: 100-Boxed; 96 Egg-Crated

- 3/4" Inlet – 3/8" MPT Outlet

PART #	MODEL #	GPM	PSI	RPM	SHAFT	PISTON	WT	LIST PRICE
6501.0005.00	AXD 3020 G	2.7	2000	3400	3/4" Hollow	14mm	13.0	\$580.00
6501.0008.00	AXD 3522 G	3.3	2200	3400	3/4" Hollow	14mm	13.0	\$580.00
6501.0050.00	AXD 2524 G-T	2.4	2400	3400	3/4" Hollow	14mm	13.0	\$535.00
6501.0051.00	AXD 2524 G	2.4	2400	3400	3/4" Hollow	14mm	13.0	\$580.00
6501.0006.00	AXD 3025 G	2.9	2500	3400	3/4" Hollow	14mm	13.0	\$625.00
6501.0017.00	AXD 3525 G	3.3	2500	3400	3/4" Hollow	14mm	13.0	\$625.00
6501.0063.00	AXD 2427 G	2.4	2700	3400	3/4" Hollow	14mm	13.0	\$625.00
6501.0059.00	AXD 2527 G-T	2.5	2700	3400	3/4" Hollow	14mm	13.0	\$540.00
6501.0025.00	AXD 2527 G	2.5	2700	3400	3/4" Hollow	14mm	13.0	\$625.00

"T" Denotes Stainless Steel Pistons

## AXD SERIES > Pumps-Electric Flange

### 1750 & 3400 RPM - 5/8" & 3/4" Hollow Shaft

NEMA 56C Electric Motor Flange

Pallet Qty: 100-Boxed; 96 Egg-Crated

\*Exceptions below

- 3/4" Inlet – 3/8" MPT Outlet

PART #	MODEL #	GPM	PSI	RPM	SHAFT	PISTON	WT	LIST PRICE
6502.0009.00	AXS 0415 E	0.4	1500	1750	5/8" Hollow	14mm	13.0	\$575.00
6502.0010.00	AXS 0615 E	0.6	1500	1750	5/8" Hollow	14mm	13.0	\$575.00
6502.0005.00	AXS 1015 E	0.9	1500	1750	5/8" Hollow	14mm	13.0	\$575.00
6502.0008.00	AXS 1315 E	1.3	1500	1750	5/8" Hollow	14mm	13.0	\$575.00
6502.0006.00	AXS 2015 E	1.7	1500	1750	5/8" Hollow	14mm	13.0	\$575.00
6501.0038.00*1	AXD 2020 E	1.7	2000	3400	5/8" Hollow	14mm	13.0	\$575.00
6501.0010.00	AXD 2020 E	1.9	2000	3400	5/8" Hollow	14mm	13.0	\$600.00
6501.0098.00	AXD 2020 E-T	1.9	2000	3400	5/8" Hollow	14mm	13.0	\$560.00
6501.0012.00 2	AXD 2520 E	2.5	2000	3400	5/8" Hollow	14mm	13.0	\$600.00
6501.0013.00	AXD 3020 E	2.9	2000	3400	5/8" Hollow	14mm	13.0	\$600.00
6501.0087.00	AXD 3020 GE	2.9	2000	3400	3/4" Hollow	14mm	13.0	\$600.00
6501.0090.00	AXD 2527 GE	2.5	2700	3400	3/4" Hollow	14mm	13.0	\$650.00

\*5.5 Degree Cam      1-72 Egg-Crated      2-96 Boxed

"T" Denotes Stainless Steel Pistons

## AXD SERIES > Pumps-Gas Flange

### 3400 RPM - 1" Hollow Shaft

Pallet Qty: 70-Boxed; 70 Egg-Crated

- 3/4" Inlet – 3/8" MPT Outlet

PART #	MODEL #	GPM	PSI	RPM	SHAFT	PISTON	WT	LIST PRICE
6501.0024.00	AXD 3030 G	2.9	3000	3400	1" Hollow	14mm	14.5	\$670.00
6501.0027.00	AXD 3530 G	3.3	3000	3400	1" Hollow	14mm	14.5	\$670.00
6501.0023.00	AXD 4030 G	3.7	3000	3400	1" Hollow	14mm	14.5	\$670.00

#### AXD Repair Kits (Kits also on Pages 30 & 31)

##### AXD up to 2400 PSI Repair Kits

5019.0077.00	Seal Kit, Water	\$83.32
1215.0402.00	Unloader Repair Kit, 2610 PSI	\$97.25
5025.0014.00	Check Valve Kit Universal	\$62.08
2409.0092.00	Piston Kit	\$203.97
5019.0079.00	Seal Kit, Oil	\$47.30

##### AXD 2500+ PSI Repair Kits

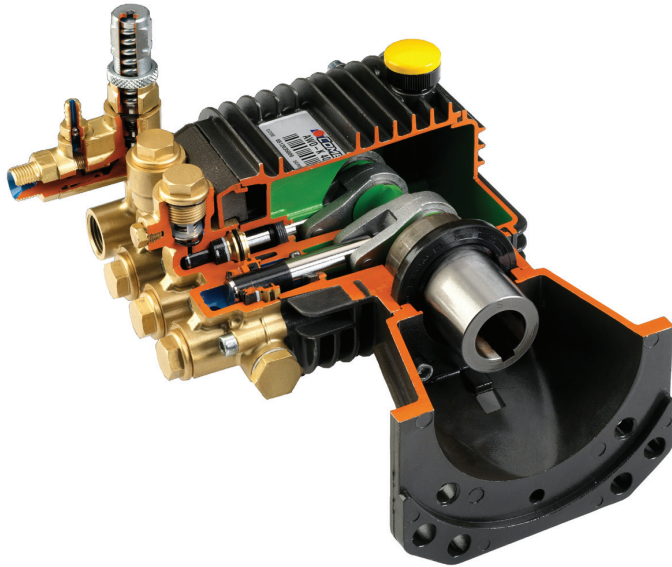
5019.0078.00	Seal Kit, Water	\$104.79
1215.0586.00	Unloader Repair Kit, 4000 PSI	\$112.51
5025.0014.00	Check Valve Kit Universal	\$62.08
2409.0092.00	Piston Kit	\$203.97
5019.0079.00	Seal Kit, Oil	\$47.30

##### AXD 3000 PSI Repair Kits

5019.0086.00	Seal Kit, Water	\$108.36
1215.0586.00	Unloader Repair Kit, 4000 PSI	\$112.51
5025.0014.00	Check Valve Kit Universal	\$62.08
2409.0103.00	Piston Kit	\$220.69
5019.0079.00	Seal Kit, Oil	\$47.30



# BWD Series Commercial Pumps

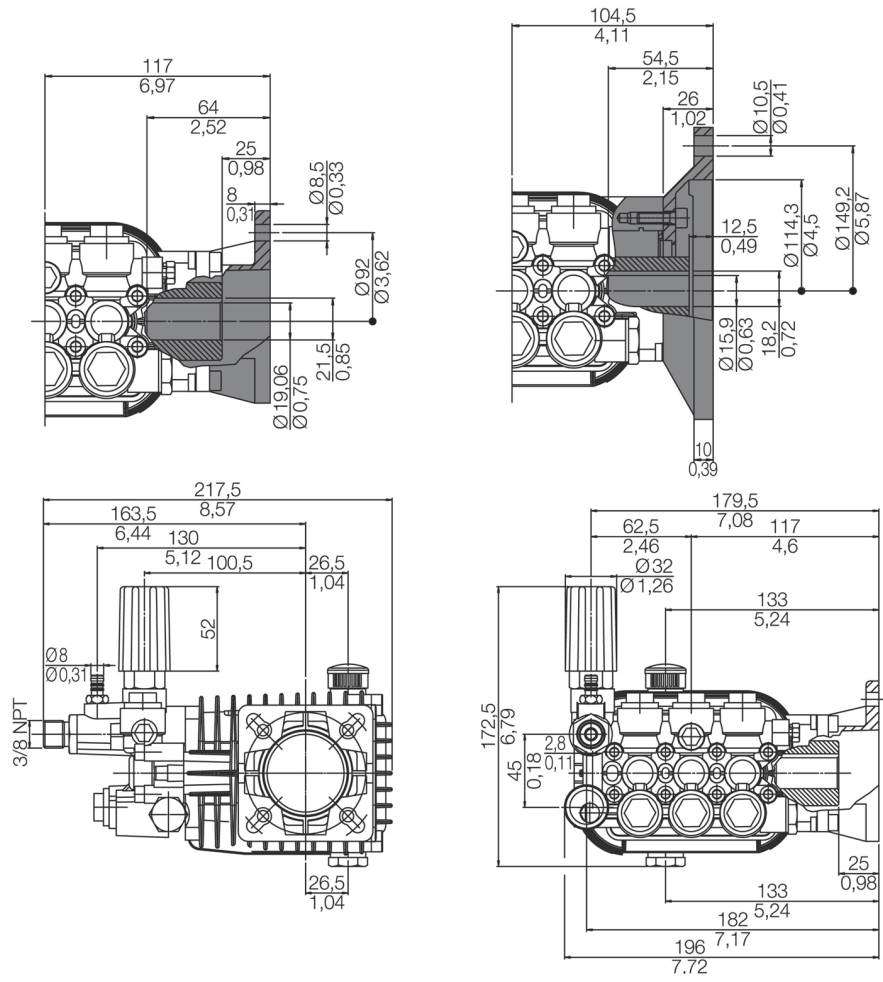


- 1/2" FPT Inlet – 3/8" MPT Outlet
- Built-in Uniflow Unloader and Fixed Chemical Injector
- Double Seal Packings (High & Low)
- Anodized Crankcase
- Ceramic Plungers
- Forged Brass Manifold
- Stainless Steel Check Valves

• Torque Specs Available on Page 31

**Pallet Qty: 72-Boxed; 72 Egg-Crated**

**Takes 10 Ounces Pump Oil**



**Gas Flange  
BWD-G**

**Electric Flange  
BWD-E**

**BWD SERIES > Pumps-Gas Flange****3400 RPM - 3/4" Hollow Shaft (SAE J609 A-B) - Gas**

- 1/2" FPT Inlet – 3/8" MPT Outlet

**Pump without Built-In Unloader**

PART #	MODEL #	GPM	PSI	RPM	SHAFT	PISTON	WT	LIST PRICE
6521.0100.00	BWD 2527 G	2.6	2700	3400	3/4" Hollow	14mm	12.0	\$610.00
6521.0300.00	BWD 3027 G	3.0	2700	3400	3/4" Hollow	14mm	12.0	\$610.00

**Pump with Built-In Unloader**

PART #	MODEL #	GPM	PSI	RPM	SHAFT	PISTON	WT	LIST PRICE
6521.0150.00	BWD 2527 G-K	2.6	2700	3400	3/4" Hollow	14mm	13.1	\$685.00
6521.0250.00	BWD 3020 G-K	3.0	2000	3400	3/4" Hollow	14mm	12.6	\$685.00
6521.0350.00	BWD 3027 G-K	3.0	2700	3400	3/4" Hollow	14mm	12.9	\$685.00

**BWD SERIES > Pumps-Electric Flange****3400 RPM - 5/8" Hollow Shaft (NEMA 56C) - Electric**

- 1/2" FPT Inlet – 3/8" MPT Outlet

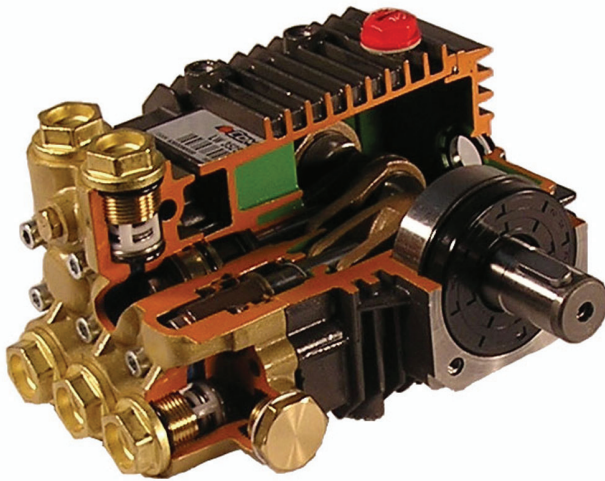
**Pump with Built-In Unloader**

PART #	MODEL #	GPM	PSI	RPM	SHAFT	PISTON	WT	LIST PRICE
6521.0251.00	BWD 3020 E-K	2.7	2000	3400	5/8" Hollow	14mm	14.0	\$710.00
6521.0450.00	BWD 2020 E-K	1.9	2000	3400	5/8" Hollow	14mm	14.0	\$710.00

**BW Repair Kits (Hot and Standard Kits also on pages 30 & 31)**

5019.0686.00	Seal Kit, Water, 2700 PSI	\$112.30
5019.0684.00	Seal Kit, Water, 2000 PSI	\$83.77
5019.0685.00	Seal Kit, Oil	\$56.41
5025.0030.00	Valve Kit	\$64.34
1215.0402.00	Unloader Valve Kit, 2610 PSI	\$97.25
1215.0586.00	Unloader Valve Kit, 4000 PSI	\$112.51

# LW Series Industrial Pumps

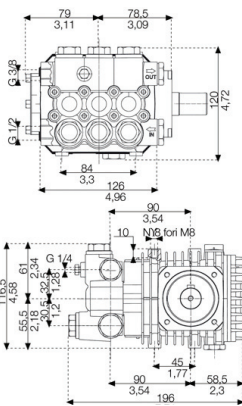


- > 1450 RPM
- > 1750 RPM
- > 3400 RPM

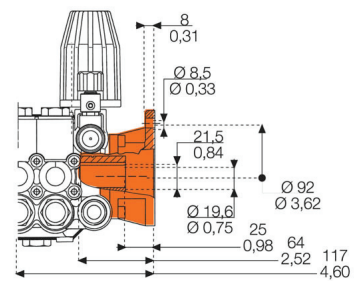
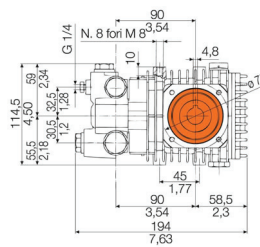
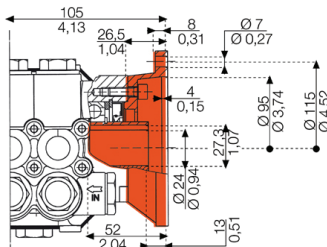
- 3/8" FPT Inlet – 3/8" FPT Outlet
- Reversible Crankshaft for Easy Right or Left Hand Mounting
- Forged Bronze Connecting Rods with Lifetime Warranty
- Hardened Stainless Steel Piston Guides
- High Efficiency Stainless Steel Check Valves
- Abrasion Proof, Heat Resistant, Industrial Ceramic Plungers
- High Quality Buna-Textile Double-Sealing V-Packings
- Solid or Hollow Shaft
- Die-Cast, Anodized Aluminum Crankshaft-Fin Design for Optimal Operating Temperature
- Flange for Direct Mounting to Gas Engines or Electric Motors
- High Quality Oversized Ball Bearings
- Optimal Oil Bath for High Speed Operation

• Torque Specs Available on Page 31

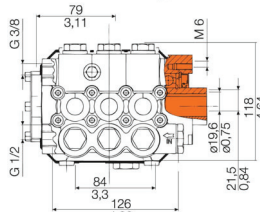
**Takes 11 Ounces Pump Oil**



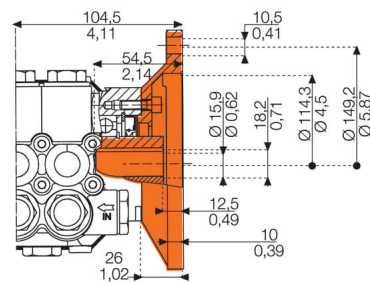
**Gas Flange  
LW-G**



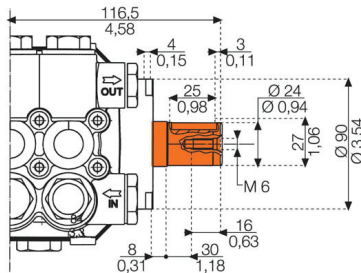
**Gas Flange  
LW-K G**



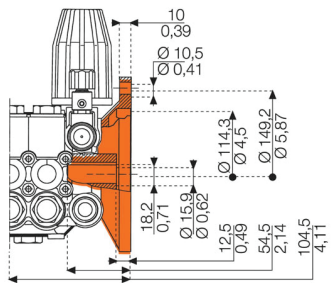
**Solid Shaft  
LW-GE**



**Electric Flange  
LW-E**



**Solid Shaft  
LW-S**



**Electric Flange  
LW-K E**

## LW SERIES > Pumps-Solid Shaft

### 1450 RPM - 24mm Solid Shaft

- 3/8" FPT Inlet – 3/8" FPT Outlet

- 24 mm Solid, Keyed Shaft
- **Pallet Qty: 100 (Boxed or Egg-Crated)**

PART #	MODEL #	GPM	PSI	RPM	SHAFT	PISTON	WT	LIST PRICE
6300.1501.00x	LW 0509 S	0.5	1500	1450	24mm Solid	15mm	13.4	\$665.00
6300.1401.00x	LW 1009 S	1.0	1500	1450	24mm Solid	18mm	13.4	\$665.00
6300.1601.00x	LW 1509 S	1.5	1500	1450	24mm Solid	18mm	13.4	\$665.00
6300.0502.00	LW 2020 S	2.1	2000	1450	24mm Solid	15mm	13.4	\$665.00
6300.0303.00	LW 3020 S	3.0	2000	1450	24mm Solid	18mm	13.4	\$665.00
6300.0700.00	LW 3025 S	3.0	2500	1450	24mm Solid	18mm	13.4	\$710.00
6300.0800.00	LW 3525 S	3.5	2500	1450	24mm Solid	18mm	13.4	\$710.00

x-3/8" Inlet

A=Aluminum Manifold

## LWS SERIES > Pumps-Solid Shaft

### 1750 RPM - 24mm Solid Shaft

- 3/8" FPT Inlet – 3/8" FPT Outlet

- 24 mm Solid, Keyed Shaft
- **Pallet Qty: 100 (Boxed or Egg-Crated)**

PART #	MODEL #	GPM	PSI	RPM	SHAFT	PISTON	WT	LIST PRICE
6301.2700.00x	LWS 0609 S	0.6	1500	1750	24mm Solid	15mm	13.4	\$665.00
6301.2500.00x	LWS 1209 S	1.2	1500	1750	24mm Solid	18mm	13.4	\$665.00
6301.2600.00x	LWS 1809 S	1.8	1500	1750	24mm Solid	18mm	13.4	\$665.00
6301.0101.00	LWS 2020 S	2.2	2000	1750	24mm Solid	15mm	13.4	\$665.00
6301.0601.00	LWS 3020 S	3.1	2000	1750	24mm Solid	18mm	13.4	\$665.00
6301.1400.00	LWS 4020 S	4.0	2000	1750	24mm Solid	18mm	13.4	\$710.00
6301.1300.00	LWS 3025 S	3.2	2500	1750	24mm Solid	18mm	13.4	\$710.00
6301.1201.00	LWS 3525 S	3.5	2500	1750	24mm Solid	18mm	13.4	\$710.00

x-3/8" Inlet

\*97 Egg-Crated

#### Pump with Built-In Unloader

6301.1350.00	LWS 3025 S-K	3.2	2500	1750	24mm Solid	18mm	17.0	\$815.00
--------------	--------------	-----	------	------	------------	------	------	----------

K-Built-In Unloader

## LWS SERIES > Pumps-Electric Flange

### 1750 RPM - NEMA 56C - 5/8"

#### or 3/4" Hollow Shaft

- 3/8" FPT Inlet – 3/8" FPT Outlet

- NEMA 56C Electric Motor Flange with 5/8" Hollow Shaft
- **Pallet Qty: 100 (Boxed or Egg-Crated)**

PART #	MODEL #	GPM	PSI	RPM	SHAFT	PISTON	WT	LIST PRICE
6301.2701.00x	LWS 0609 E	0.6	1500	1750	5/8" Hollow	15mm	13.4	\$690.00
6301.2501.00x	LWS 1209 E	1.2	1500	1750	5/8" Hollow	18mm	13.4	\$690.00
6301.2601.00x	LWS 1809 E	1.8	1500	1750	5/8" Hollow	18mm	13.4	\$690.00
6301.2300.00x	LWS 0409 GE	0.4	1500	1750	3/4" Hollow	18mm	13.4	\$690.00
6301.0102.00	LWS 2020 E	2.2	2000	1750	5/8" Hollow	15mm	13.4	\$690.00
6301.0604.00	LWS 3020 E	3.0	2000	1750	5/8" Hollow	18mm	13.4	\$690.00
6301.0602.00	LWS 3520 E	3.6	2000	1750	5/8" Hollow	18mm	13.4	\$690.00

x-3/8" Inlet

#### Pump with Built-In Unloader

6301.0654.00*	LWS 3020 E-K	3.0	2000	1750	5/8" Hollow	18mm	13.4	\$775.00
---------------	--------------	-----	------	------	-------------	------	------	----------

K-Built-In Unloader

## LWD SERIES > Pumps-Solid Shaft

### 3400 RPM - 24mm Solid Shaft

- 3/8" FPT Inlet – 3/8" FPT Outlet

- 24mm Solid, Keyed Shaft
- **Pallet Qty: 100 (Boxed or Egg-Crated)**

PART #	MODEL #	GPM	PSI	RPM	SHAFT	PISTON	WT	LIST PRICE
6303.0507.00	LWD 3020 S	3.0	2000	3400	24mm Solid	15mm	13.4	\$665.00
6303.0803.00	LWD 3522 S	3.5	2200	3400	24mm Solid	18mm	13.4	\$665.00
6303.0702.00	LWD 3025 S	3.0	2500	3400	24mm Solid	18mm	13.4	\$665.00





## LWD SERIES > Pumps-Electric Flange

### 3400 RPM - NEMA 56C -5/8" or 3/4" Hollow Shaft

- 3/8" FPT Inlet – 3/8" FPT Outlet

- NEMA 56C Electric Motor Flange with 5/8" or 3/4" Hollow Shaft
- **Pallet Qty: 100 (Boxed or Egg-Crated)**

PART #	MODEL #	GPM	PSI	RPM	SHAFT	PISTON	WT	LIST PRICE
6303.0105.00	LWD 2020 E	2.1	2000	3400	5/8" Hollow	15mm	13.4	\$680.00
6303.0509.00	LWD 3020 E	3.0	2000	3400	5/8" Hollow	15mm	13.4	\$680.00
6303.0806.00	LWD 3522 E	3.5	2200	3400	5/8" Hollow	15mm	13.4	\$805.00
6303.0804.00	LWD 3522 GE	3.5	2200	3400	3/4" Hollow	15mm	13.4	\$805.00
<b>Pump with built-in Unloader</b>								
6303.0156.00	LWD 2020 E-K	2.1	2000	3400	5/8" Hollow	15mm	13.4	\$725.00

**K-Built-In Unloader**

## LWD SERIES > Pumps-Gas Flange

### 3400 RPM - Gas Engine Flange

- 3/8" FPT Inlet – 3/8" FPT Outlet

- Gas Engine Mounting Flange with 3/4" Hollow Shaft
- **Pallet Qty: 100 (Boxed or Egg-Crated)**

PART #	MODEL #	GPM	PSI	RPM	SHAFT	PISTON	WT	LIST PRICE
6303.0104.00	LWD 2020 G	2.1	2000	3400	3/4" Hollow	15mm	13.4	\$635.00
6303.1600.00	LWD 2520 G	2.5	2000	3400	3/4" Hollow	15mm	13.4	\$635.00
6303.0508.00	LWD 3020 G	3.0	2200	3400	3/4" Hollow	15mm	13.4	\$635.00
6303.0802.00	LWD 3522 G	3.5	2200	3400	3/4" Hollow	15mm	13.4	\$635.00
6303.0701.00	LWD 3025 G	3.0	2500	3400	3/4" Hollow	15mm	13.4	\$660.00
6303.1700.00	LWD 2525 G	2.5	2700	3400	3/4" Hollow	15mm	13.4	\$660.00

## LWD SERIES > Pumps-Gas Flange

### 3400 RPM - Gas Engine Flange

- 3/8" FPT Inlet – 3/8" FPT Outlet

- Gas Engine Mounting Flange with 3/4" Hollow Shaft
- **Pallet Qty: 60 (57 Egg-Crated)**

#### Pump with Built-In Unloader

PART #	MODEL #	GPM	PSI	RPM	SHAFT	PISTON	WT	LIST PRICE
6303.0157.00	LWD 2020 G-K	2.1	2000	3400	3/4" Hollow	15mm	13.4	\$765.00
6303.1652.00	LWD 2520 G-K	2.5	2000	3400	3/4" Hollow	15mm	13.4	\$765.00
6303.0558.00	LWD 3020 G-K	3.0	2000	3400	3/4" Hollow	15mm	13.4	\$765.00
6303.0754.00	LWD 3025 G-K	3.0	2500	3400	3/4" Hollow	15mm	16.0	\$765.00
6303.0706.00	LWD 3025 G-RF	3.0	2500	3400	3/4" Hollow	15mm	16.0	\$790.00
6303.1751.00	LWD 2525 G-K	2.5	2700	3400	3/4" Hollow	15mm	16.0	\$810.00
6303.1750.00*	LWD 2525 G-K	2.5	2700	3400	3/4" Hollow	15mm	16.0	\$815.00
6303.2100.00	LWD 2527 G-RF	2.5	2700	3400	3/4" Hollow	15mm	16.0	\$835.00

\*Fixed injector

**RF-Bolt-on Unloader**

**K-Built-In Unloader**

#### LW Series Mounting Rail Kits

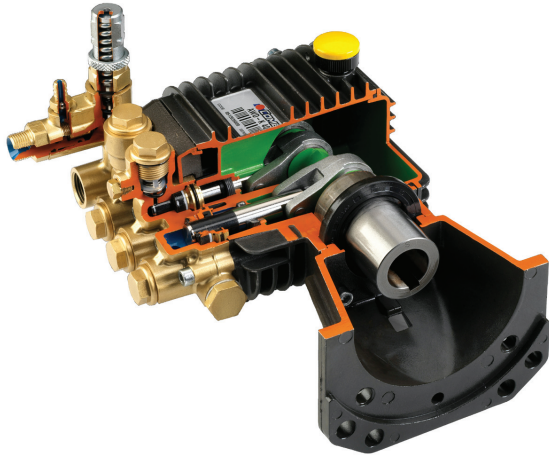
5011.0184.00	Standard Rail Kit for LW Series Pump	\$11.83
5011.0216.00	Tall Rail Kit for LW Series Pump	\$23.24

#### LW Series Repair Kits (Hot and Standard Kits also on Pages 30 & 31)

5019.0035.00	LW Water Seal Kit, 15mm	\$82.67	1215.0401.00	Unloader Valve Kit, 1900 PSI	\$97.25
5019.0037.00	LW Water Seal Kit, 18mm	\$84.20	1215.0402.00	Unloader Valve Kit, 2610 PSI	\$97.25
5019.0040.00	LW Oil Seal Kit, Solid Shaft	\$50.87	1215.0586.00	Unloader Valve Kit, 4000 PSI	\$112.51
5019.0041.00	LW Oil Seal Kit, Hollow Shaft	\$51.89	5026.0123.00	Unloader Maintenance Kit	\$45.97
2409.0071.00	LW Piston Kit, 15mm	\$214.07	5019.0048.00	Hot Water Kit, 15mm	\$62.08
2409.0072.00	LW Piston Kit, 18mm	\$218.65	5019.0049.00	Hot Water Kit, 18mm	\$53.31
5025.0011.00	LW Check Valve Kit	\$93.68	5019.0051.00	Viton Seal Kit, 15mm	\$318.25
5026.0130.00	Unloader Rebuild Kit	\$116.41	5019.0050.00	Viton Seal Kit, 18mm	\$392.45

# AWD Series

## Commercial Pumps

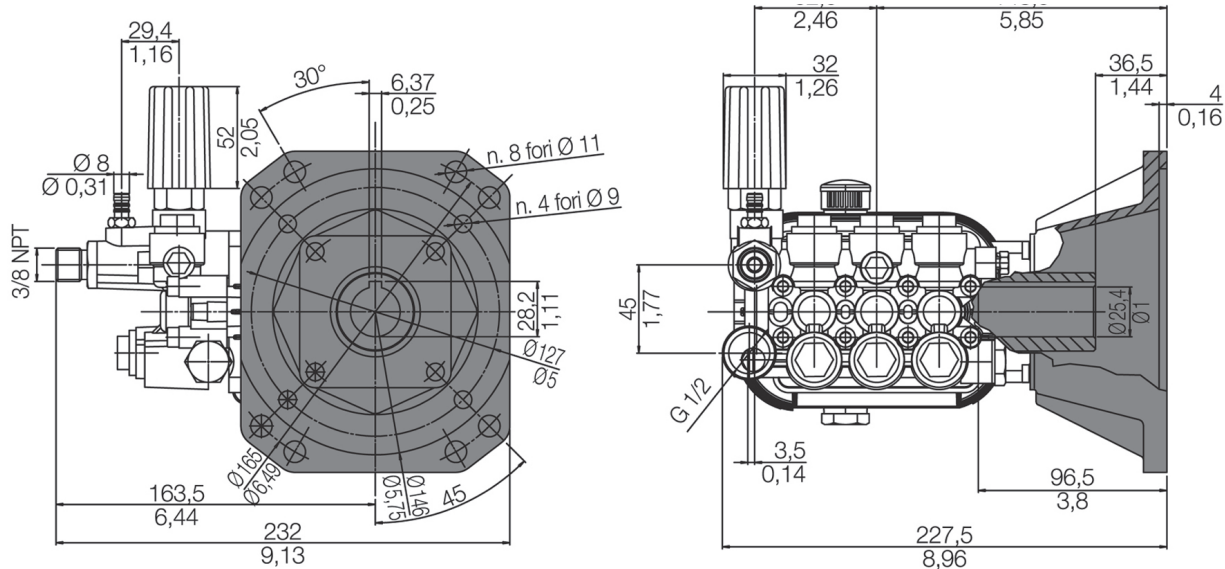


### 3400 RPM - Gas Engine Flange

- 1/2" FPT Inlet – 3/8" MPT Outlet
- Built-in Uniflow Unloader and Fixed Chemical Injector
- Double Seal Packings (High & Low)
- Anodized Crankcase
- Ceramic Plungers
- Forged Brass Manifold
- Stainless Steel Check Valves
- Torque Specs Available on Page 31

**Pallet Qty: 72-Boxed; 72 Egg-Crated**

**Takes 10 Ounces Pump Oil**



## AWD SERIES > Pumps-Gas Flange

- 1/2" FPT Inlet – 3/8" MPT Outlet

### Pump without Built-In Unloader

PART #	MODEL #	GPM	PSI	RPM	SHAFT	PISTON	WT	LIST PRICE
6520.0300.00	AWD 4030 G	4.0	3000	3400	1" Hollow	14mm	12.6	\$650.00

### Pump with Built-In Unloader

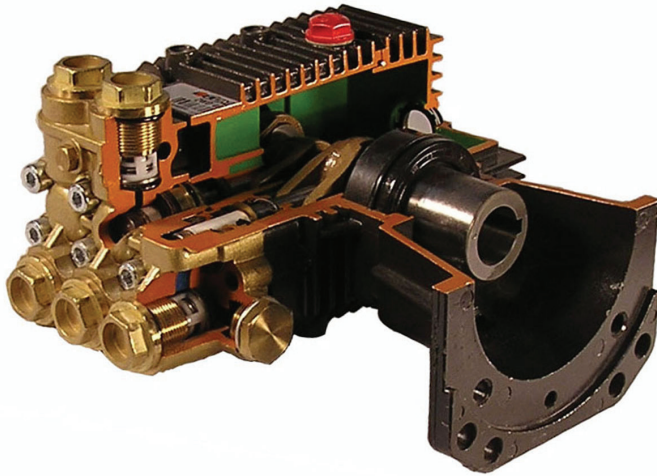
PART #	MODEL #	GPM	PSI	RPM	SHAFT	PISTON	WT	LIST PRICE
6520.0150.00	AWD 3030 G-K	3.0	3000	3400	1" Hollow	14mm	14.4	\$745.00
6520.0250.00	AWD 3530 G-K	3.5	3000	3400	1" Hollow	14mm	14.4	\$745.00
6520.0350.00	AWD 4030 G-K	4.0	3000	3400	1" Hollow	14mm	14.4	\$745.00
6520.0450.00	AWD 4036 G-K	4.0	3600	3400	1" Hollow	14mm	14.4	\$805.00

K-Built-In Unloader

### AW Repair Kits (Kits also on Pages 30 & 31)

5019.0686.00	AW Water Seal Kit	\$112.30
5019.0687.00	AW Oil Seal Kit	\$56.41
5025.0030.00	Valve Kit	\$64.34
1215.0586.00	Unloader Kit (4000 PSI)	\$112.51

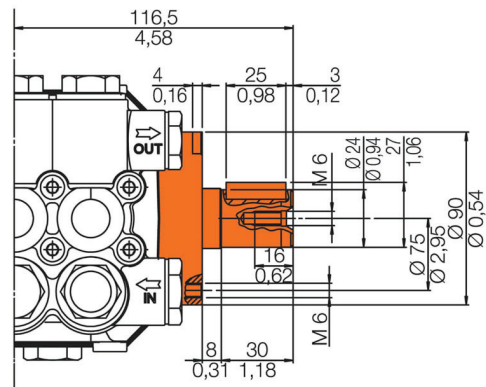
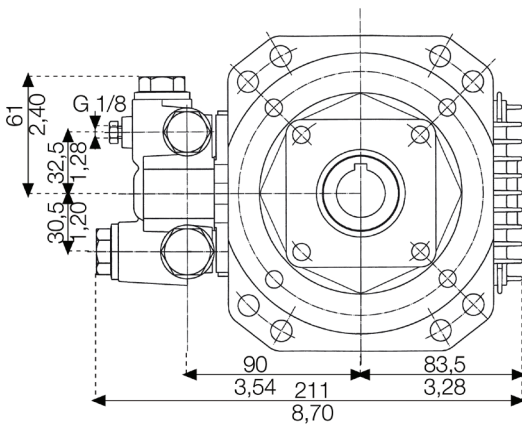
# ZWD Series Industrial Pumps



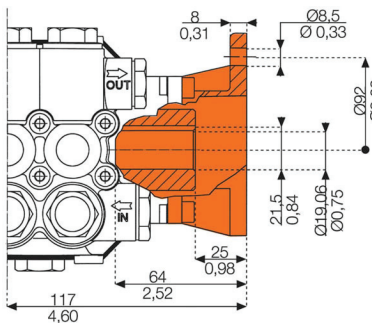
- 1/2" FPT Inlet – 3/8" Outlet  
(see pump sections for M or F)
- Reversible Crankshaft for Easy Right or Left Hand Mounting
- Increased Fin Depth Increases Surface Area to Maximize Heat Dissipation
- Stainless Steel Unitized Check Valves
- Heat-Resistant Solid Ceramic Plungers Operating on Lubricated Packings
- Direct Drive Mounting Flange
- Reinforced Crankcase for Increased Load Capacity
- Enlarged Crankcase Increases Oil Capacity for Better Lubrication and Lower Operating Temperatures
- One-Piece Industrial-Grade Oversized Bronze Connecting Rods

• Torque Specs Available on Page 31

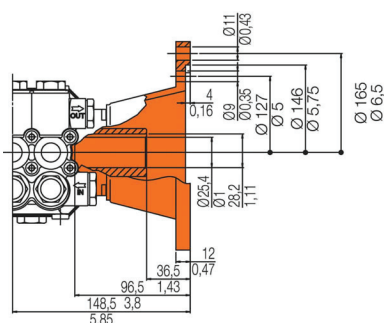
**Takes 14 Ounces Pump Oil**



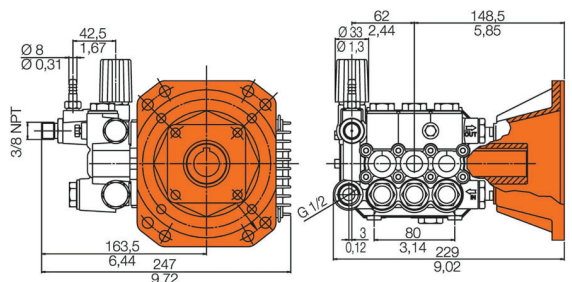
**Solid Shaft  
ZW-S**



**Gas Flange  
ZW-G 3/4"**



**Gas Flange  
ZW-G 1"**



**Gas Flange  
ZW-G-K**

## ZWD SERIES > Pumps-Gas Flange

### 3400 RPM - Gas Engine Flange

- 1/2" FPT Inlet, 3/8" FPT Outlet
- Gas Engine Mounting Flange
- **Pallet Qty: 90; 57 Egg-Crated**

PART #	MODEL #	GPM	PSI	RPM	SHAFT	PISTON	WT	LIST PRICE
6305.0104.00*	ZWD 3030 G	3.0	3200	3400	3/4" Hollow	15mm	17.5	\$655.00
6305.1900.00	ZWD 2535 G	2.5	3500	3400	3/4" Hollow	15mm	17.5	\$685.00
6305.1600.00	ZWD 3035 G	3.0	3500	3400	1" Hollow	15mm	17.5	\$775.00
6305.1700.00	ZWD 3535 G	3.4	3500	3400	1" Hollow	15mm	17.5	\$775.00
6305.1800.00**	ZWD 4035 G	4.0	3500	3400	1" Hollow	15mm	17.5	\$775.00
6305.1100.00	ZWD 3040 G	3.0	4000	3400	1" Hollow	15mm	17.5	\$915.00
6305.1000.00	ZWD 3540 G	3.4	4000	3400	1" Hollow	15mm	17.5	\$915.00
6305.0900.00	ZWD 4040 G	4.0	4000	3400	1" Hollow	15mm	17.5	\$915.00

\*Aluminum Connecting Rod

\*\*60 Egg-Crated

## ZWD SERIES > Pumps-Gas Flange

### 3400 RPM - Gas Engine Flange

- 1/2" FPT Inlet, 3/8" MPT Outlet
- Gas Engine Mounting Flange
- **Pallet Qty: 60; 57 Egg-Crated**

#### Pump with Built-In Unloader

PART #	MODEL #	GPM	PSI	RPM	SHAFT	PISTON	WT	LIST PRICE
6305.1650.00	ZWD 3035 G-K	3.0	3500	3400	1" Hollow	15mm	19.5	\$875.00
6305.1750.00	ZWD 3535 G-K	3.4	3500	3400	1" Hollow	15mm	19.5	\$875.00
6305.1850.00	ZWD 4035 G-K	4.0	3500	3400	1" Hollow	15mm	19.5	\$875.00
6305.0906.00	ZWD 4035 G-RF	4.0	3500	3400	1" Hollow	15mm	21.0	\$995.00
6305.1052.00	ZWD 3540 G-K	3.5	4000	3400	1" Hollow	15mm	21.8	\$970.00
6305.1503.00	ZWD 4040 G-K	4.0	4000	3400	1" Hollow	15mm	22.0	\$970.00

**RF-Bolt-on Unloader**

**K-Built-In Unloader**

## ZWD SERIES > Pumps-Solid Shaft

### 3400 RPM - 24mm Solid Shaft

- 1/2" FPT Inlet, 3/8" FPT Outlet
- 24mm Solid, Keyed Shaft
- **Pallet Qty: 90; 57 Egg-Crated**

PART #	MODEL #	GPM	PSI	RPM	SHAFT	PISTON	WT	LIST PRICE
6305.0603.00	ZWD 4030 S	4.0	3000	3400	24mm Solid	15mm	17.4	\$685.00

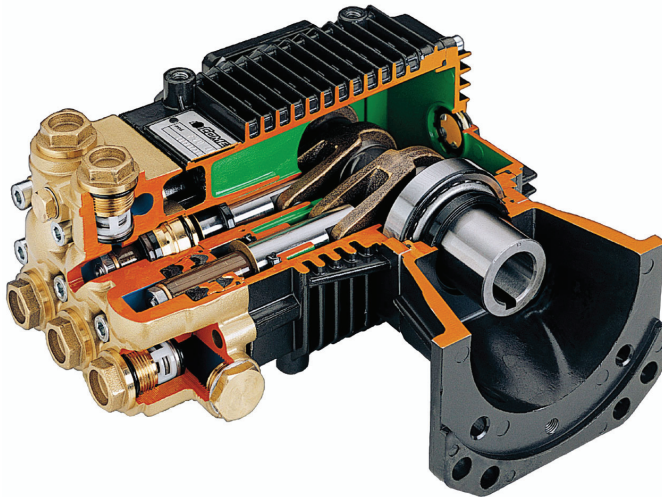
\*Aluminum Connecting Rod

#### ZW Series Repair Kits (Kits also on Pages 30 & 31)

5019.0064.00	ZWD Seal Kit, 15mm	\$94.60	5019.0040.00	ZWD Oil Seal Kit, Solid Shaft	\$50.87
5025.0011.00	Check Valve Kit	\$93.68	5019.0065.00	ZWD Oil Seal Kit, Hollow Shaft	\$52.90
1215.0586.00	Unloader Kit (4000 PSI)	\$112.51	5019.0048.00	Hot Water Kit, 15mm	\$62.08
2409.0071.00	ZWD Piston Kit, 15mm	\$214.07	5019.0051.00	Viton Seal Kit, 15mm	\$318.25



# FW Series Industrial Pumps

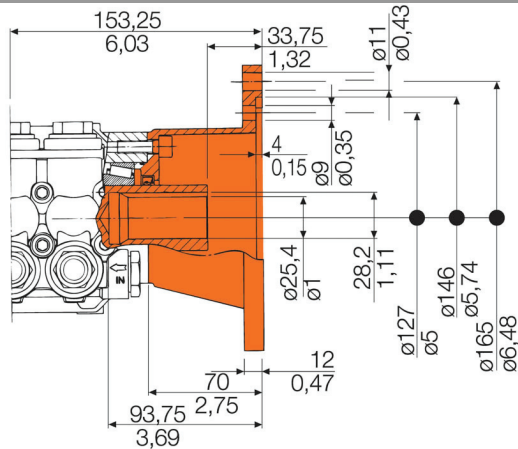


- > 1450 RPM
- > 1750 RPM
- > 3400 RPM

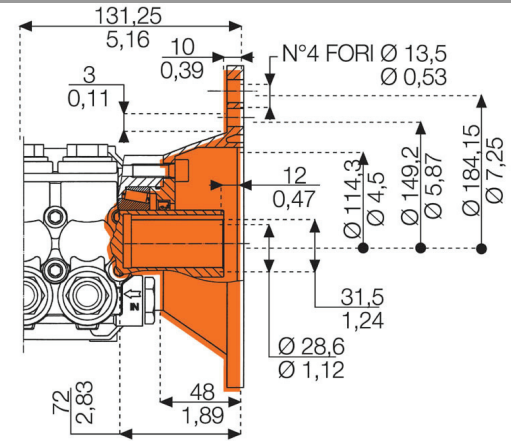
- 1/2" FPT Inlet – 3/8" FPT Outlet
- Reversible Crankcase for Easy Right or Left Hand Mounting
- Hardened Stainless Steel Piston Guides
- Highly Efficient Stainless Steel Check Valves
- Solid Ceramic Plungers
- High & Low Pressure Seals: High Quality Buna-Textile Packings
- Additional Anti-Extrusion Ring under the Seal
- Solid or Hollow Shaft
- Solid Brass Manifolds
- Special Forged Brass Oversized Connecting Rods
- Flange for Direct Mounting to Gas Engines or Electric Motors (Hollow Shaft Models Only.)
- Die-Cast, Anodized Aluminum Crankcase
- High Quality Tapered Roller Bearings
- Optimal Oil Bath for High Speed Operation

• Torque Specs Available on Page 31

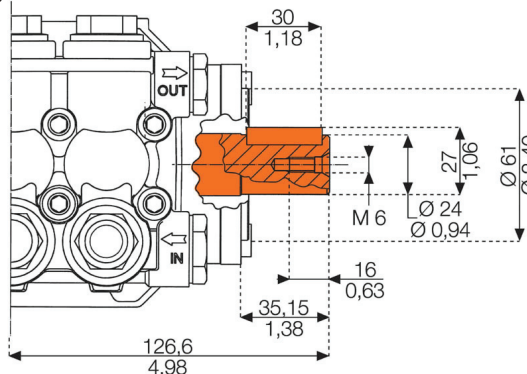
**Takes 19 Ounces Pump Oil**



**Gas Flange  
FW-G**



**Electric Flange  
FW-E**



**Solid Shaft  
FW-S**

## FWS SERIES > Pumps-Solid Shaft

### 1450 RPM - 24mm Solid Shaft

- 1/2" FPT Inlet, 3/8" FPT Outlet
- 24mm Solid, Keyed Shaft
- **Pallet Qty: 60 Boxed or Egg-Crated**

PART #	MODEL #	GPM	PSI	RPM	SHAFT	PISTON	WT	LIST PRICE
6401.0801.00	FWS 6020 S	5.9	2000	1750	24mm Solid Shaft	20mm	19.6	\$1125.00

## FWS SERIES > Pumps-Electric Flange

### 1750 RPM - 184T Elec. Flange

- 1/2" FPT Inlet, 3/8" FPT Outlet
- 184T Electric Motor Flange with 1-1/8" Hollow Shaft
- **Pallet Qty: 60 Boxed or Egg-Crated**

PART #	MODEL #	GPM	PSI	RPM	SHAFT	PISTON	WT	LIST PRICE
6401.1900.00	FWS 5530 E	5.6	3000	1750	1-1/8" Hollow	20mm	20.3	\$1115.00

## FWD SERIES > Pumps-Gas Flange

### 3400 RPM - Gas Engine Flange

- 1/2" FPT Inlet, 3/8" FPT Outlet
- Gas Engine Mounting Flange with 1" Hollow Shaft
- **Pallet Qty: 60 Boxed; 48 Egg-Crated**

PART #	MODEL #	GPM	PSI	RPM	SHAFT	PISTON	WT	LIST PRICE
6402.0102.00	FWD 3530 G	3.3	3000	3400	1" Hollow	18mm	20.3	\$1095.00
6402.1000.00	FWD 4035 G	3.9	3500	3400	1" Hollow	18mm	20.3	\$1095.00
6402.0800.00	FWD 4530 G	4.4	3000	3400	1" Hollow	18mm	20.3	\$1095.00

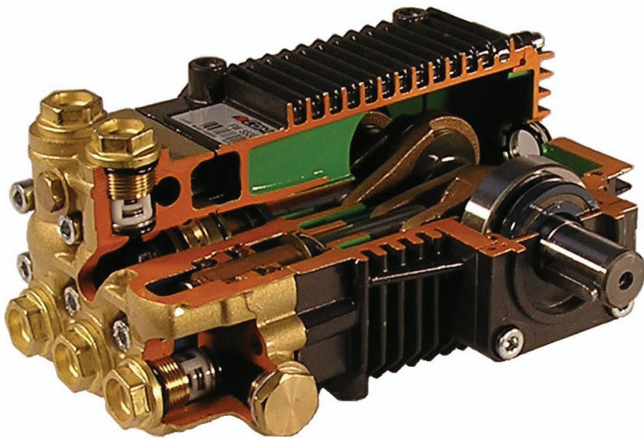
#### FW Series Mounting Rail Kits

5011.0185.00	Standard Rail Kit for FW Series Pump	\$23.08
5011.0216.00	Tall Rail Kit for FW Series Pump	\$23.24

#### FW Series Repair Kits (Kits also on Pages 30 & 31)

5019.0038.00	FW Water Seal Kit, 18mm	\$162.38	5025.0025.00	High Flow Valve Kit, 5+GPM	\$124.87
5019.0039.00	FW Water Seal Kit, 20mm	\$249.34	2409.0073.00	FW Piston Kit, 18mm	\$252.50
5019.0044.00	FW Oil Seal Kit, Solid Shaft	\$61.88	2409.0074.00	FW Piston Kit, 20mm	\$269.32
5019.0045.00	FW Oil Seal Kit, Hollow Shaft	\$58.31	5019.0053.00	Hot Water Kit, 18mm	\$108.56
5025.0011.00	Check Valve Kit	\$93.68	5019.0054.00	Hot Water Kit, Seals Only, 20mm	\$108.56

# HW Series Industrial Pumps

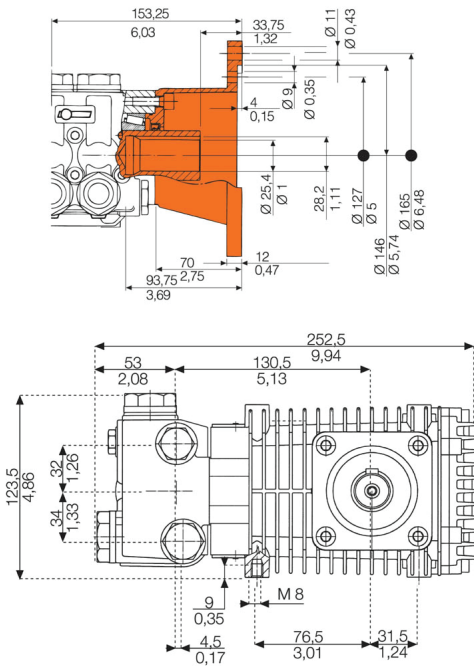


- > **1450 RPM**
- > **1750 RPM**
- > **3400 RPM**

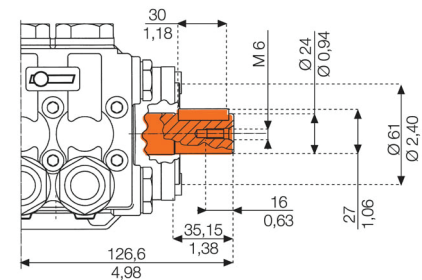
- 1/2" FPT Inlet – 3/8" FPT Outlet
- Reversible Crankcase for Easy Right or Left Hand Mounting
- Hardened Stainless Steel Piston Guides
- Highly Efficient Stainless Steel Check Valves
- Solid Ceramic Plungers
- High & Low Pressure Seals: High Quality Buna-Textile Packings
- Additional Anti-Extrusion Ring under the Seal
- Solid or Hollow Shaft
- Solid Brass Manifolds
- Special Forged Brass Oversized Connecting Rods
- Flange for Direct Mounting to Gas Engines (Hollow Shaft Models Only.)
- Die-Cast, Anodized Aluminum Crankcase
- High Quality Tapered Roller Bearings
- Optimal Oil Bath for High Speed Operation

• Torque Specs Available on Page 31

**Takes 19 Ounces Pump Oil**



**Gas Flange  
HW-G**



**Solid Shaft  
HW-S**

## HW SERIES > Pumps-Solid Shaft

### 1450 RPM - 24mm Solid Keyed Shaft

- 1/2" FPT Inlet, 3/8" FPT Outlet
- 24mm Solid, Keyed Shaft
- **Pallet Qty: 60 Boxed or Egg-Crated**

PART #	MODEL #	GPM	PSI	RPM	SHAFT	PISTON	WT	LIST PRICE
6403.0400.00	HW 4540 S	4.4	4000	1450	24mm Solid	18mm	22.0	\$1175.00

## HWD SERIES > Pumps-Gas Flange

### 3400 RPM - Gas Engine Flange

- 1/2" FPT Inlet, 3/8" FPT Outlet
- Gas Engine Mounting Flange with 1" Hollow Shaft
- **Pallet Qty: 60 Boxed; 46 Egg-Crated**

PART #	MODEL #	GPM	PSI	RPM	SHAFT	PISTON	WT	LIST PRICE
6405.0200.00	HWD 3540 G	3.3	4000	3400	1" Hollow	18mm	22.5	\$1170.00
6405.0400.00	HWD 5540 G	5.3	4000	3400	1" Hollow	18mm	22.5	\$1170.00

#### HW Series Mounting Rail Kits

5011.0185.00	Standard Rail Kit for HW Series Pump	\$23.08
5011.0216.00	Tall Rail Kit for HW Series Pump	\$23.24

#### HW Series Repair Kits (Kits also on Pages 30 & 31)

5025.0011.00	Check Valve Kit	\$93.68	5019.0044.00	HW Oil Seal Kit, Solid Shaft	\$61.88
5025.0025.00	HWS 5040, High Flow, 5+ GPM	\$124.87	5019.0045.00	HW Oil Seal Kit, Hollow Shaft	\$58.31
5019.0631.00	HW Water Seal Kit, 18mm	\$231.25	5019.0049.00	Hot Water Kit, 18mm (2 Required)	\$53.31
2409.0073.00	HW Piston Kit, 18mm	\$252.50	5019.0054.00	Hot Water Kit, Seals Only, 20mm	\$108.56



# LW & ZW Series

## Bolt-On Unloader Pumps



### 3400 RPM - Gas Engine Flange

- 1/2" FPT Inlet, 3/8" MPT Outlet
- Anodized, Die-Cast Aluminum Crankcase
- Solid Ceramic Plungers
- Stainless Steel Check Valves
- Buna-Textile V-Packings
- Reversible Crankcase for Right or Left Hand Mounting
- Gas Engine Mounting Flange
- Injector: Adjustable on LWD; Fixed on ZWD

**Pallet Qty: 60 Boxed; 57 Egg-Crated**

PART #	MODEL #	GPM	PSI	RPM	SHAFT	PISTON	WT	LIST PRICE
6303.0706.00	LWD 3025 G-RF	3.0	2500	3400	3/4" Hollow	15mm	17.7	\$790.00
6303.2100.00	LWD 2527 G-RF	2.5	2700	3400	3/4" Hollow	15mm	17.9	\$835.00
6305.0906.00	ZWD 4035 G-RF	4.0	3500	3400	1" Hollow	15mm	21.0	\$995.00

**RF-Bolt-on Unloader**

# FW & HW Series

## Gear Reducer Pumps



### 1450 RPM - Gear Reduction Drive

- 1/2" FPT Inlet, 3/8" FPT Outlet
- Anodized, Die-Cast Aluminum Crankcase
- Solid Ceramic Plungers
- Stainless Steel Check Valves & Piston Guides
- Buna-Textile V-Packings
- Oversized Bronze Connecting Rods
- 24mm Solid, Keyed Shaft on Pump
- 2.2:1 Gear Reduction with 1" Hollow Shaft for Direct Mounting to Gas Engines

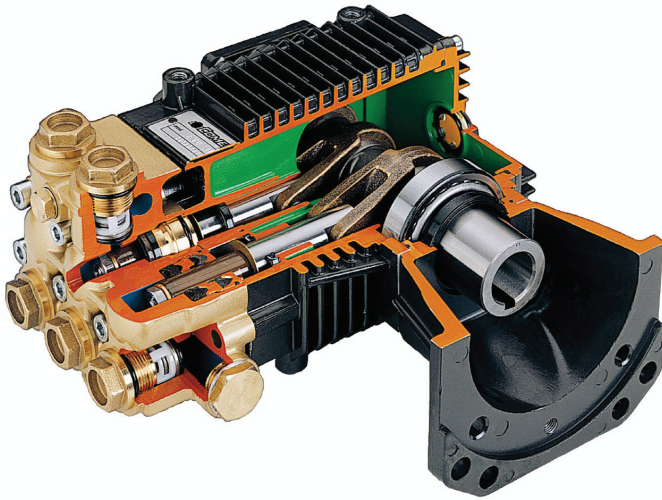
**Takes 19 Ounces Pump Oil**

PART #	MODEL #	GPM	PSI	RPM (Pump/Drive)	SHAFT	PISTON	WT	LIST PRICE
6400.1004.00	FW 3530 SGR	3.7	3000	1545/3400	1" Hollow	18mm	28.3	\$1555.00
6400.1113.00	FW 4030 SGR	4.2	3000	1545/3400	1" Hollow	18mm	29.4	\$1555.00
6400.0203.00	FW 5030 SGR	5.3	3000	1545/3400	1" Hollow	20mm	29.4	\$1630.00
6400.1401.00	FW 5530 SGR	5.8	3000	1545/3400	1" Hollow	20mm	29.4	\$1630.00
6403.0201.00	HW 4040 SGR	4.2	4000	1545/3400	1" Hollow	18mm	31.0	\$1670.00
6403.0401.00	HW 4540 SGR	4.8	4000	1545/3400	1" Hollow	18mm	31.0	\$1670.00

### HW Series Repair Kits (Kits also on Pages 30 & 31)

5019.0038.00	FW Water Seal Kit, 18mm		\$162.38	2409.0073.00	FW/HW Piston Kit, 18mm		\$252.50
5019.0039.00	FW Water Seal Kit, 20mm		\$249.34	2409.0074.00	FW Piston Kit, 20mm		\$269.32
5019.0631.00	HW Water Seal Kit, 18mm		\$213.25	5025.0011.00	Check Valve Kit		\$93.68
				5019.0045.00	FW/HW Seal Kit Hollow Shaft		\$58.31

# FW2 Series Industrial Pumps

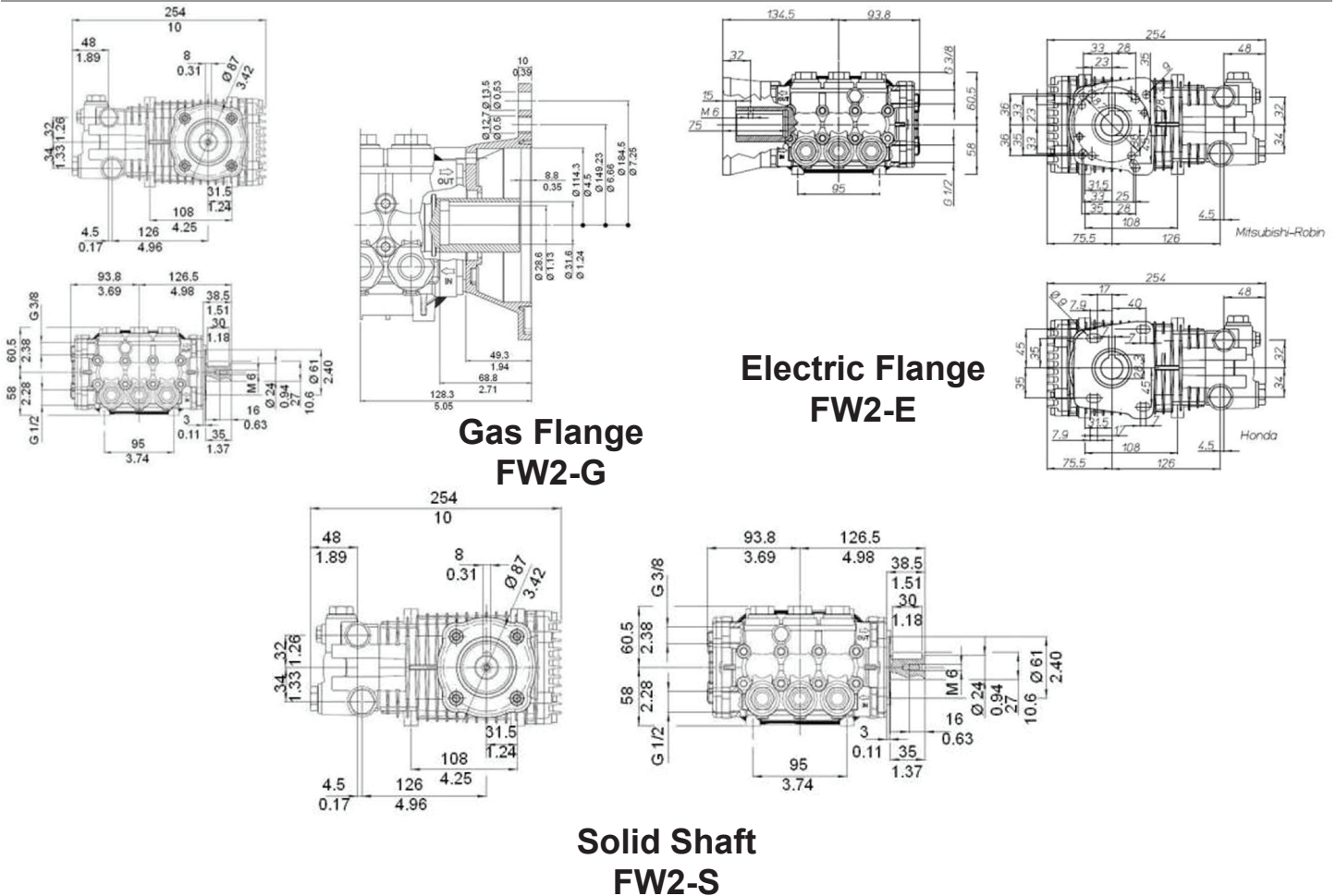


- > 1450 RPM
- > 1750 RPM
- > 3400 RPM

- 1/2" FPT Inlet – 3/8" FPT Outlet
- Reversible Crankcase for Easy Right or Left Hand Mounting
- Hardened Stainless Steel Piston Guides
- Highly Efficient Stainless Steel Check Valves
- Solid Ceramic Plungers
- High & Low Pressure Seals: High Quality Buna-Textile Packings
- Additional Anti-Extrusion Ring under the Seal
- Solid or Hollow Shaft
- Solid Brass Manifolds
- Special Forged Brass Oversized Connecting Rods
- Flange for Direct Mounting to Gas Engines or Electric Motors (Hollow Shaft Models Only.)
- Die-Cast, Anodized Aluminum Crankcase
- High Quality Tapered Roller Bearings
- Optimal Oil Bath for High Speed Operation

• Torque Specs Available on Page 31

Takes 19 Ounces Pump Oil





**FW2 SERIES > Pumps-Solid Shaft**

**1450 RPM - 24mm solid Shaft**

- 1/2" FPT Inlet, 3/8" FPT Outlet
- 24mm Solid, Keyed Shaft
- **Pallet Qty: 60 Boxed or Egg-Crated**

PART #	MODEL #	GPM	PSI	RPM	SHAFT	PISTON	WT	LIST PRICE
6410.0100.00	FW2 4030 S	4.0	3000	1450	24mm Solid Shaft	18mm	19.4	\$1060.00
6411.0200.00*	FW2 3530 S	3.4	3000	1450	24mm Solid Shaft	18mm	19.4	\$1060.00
6410.0300.00	FW2 5030 S	5.0	3000	1450	24mm Solid Shaft	20mm	19.4	\$1125.00
6410.0500.00	FW2 5530 S	5.6	3000	1450	24mm Solid Shaft	20mm	19.4	\$1125.00
6410.0700.00	FW2 4040 S	4.0	4000	1450	24mm Solid Shaft	20mm	19.4	\$1195.00
6410.0900.00	FW2 3540 S	3.5	4000	1450	24mm Solid Shaft	20mm	19.4	\$1195.00
6410.0800.00	FW2 4540 S	4.4	4000	1450	24mm Solid Shaft	20mm	19.4	\$1195.00

\*Dual rated pump--6411.0200.00, Model FWS2 4030 S

**FWS2 SERIES > Pumps-Solid Shaft**

**1450 RPM - 24mm Solid Shaft**

- 1/2" FPT Inlet, 3/8" FPT Outlet
- 24mm Solid, Keyed Shaft
- **Pallet Qty: 60 Boxed or Egg-Crated**

PART #	MODEL #	GPM	PSI	RPM	SHAFT	PISTON	WT	LIST PRICE
6411.0800.00	FWS2 6020 S	5.9	3000	1750	24mm Solid Shaft	20mm	19.6	\$1125.00
6411.0600.00	FWS2 5525 S	5.7	3000	1750	24mm Solid Shaft	20mm	19.6	\$1125.00
6411.0100.00	FWS2 3530 S	3.6	3000	1750	24mm Solid Shaft	18mm	19.6	\$1060.00
6411.0200.00	FWS2 4030 S	4.2	3000	1750	24mm Solid Shaft	18mm	19.6	\$1060.00
6411.0300.00	FWS2 4530 S	4.6	3000	1750	24mm Solid Shaft	18mm	19.6	\$1060.00
6411.1100.00	FWS2 4040 S	4.2	4000	1750	24mm Solid Shaft	18mm	19.6	\$1190.00
6411.1200.00	FWS2 5040 S	5.3	4000	1750	24mm Solid Shaft	18mm	19.6	\$1190.00

**FWS2 SERIES > Pumps-Electric Flange**

**1750 RPM - 184T Elec. Flange**

- 1/2" FPT Inlet, 3/8" FPT Outlet
- 184T Electric Motor Flange with 1-1/8" Hollow Shaft
- **Pallet Qty: 60 Boxed or Egg-Crated**

PART #	MODEL #	GPM	PSI	RPM	SHAFT	PISTON	WT	LIST PRICE
6411.0900.00	FWS2 3030 E	2.9	3000	1750	1-1/8" Hollow	18mm	20.3	\$1115.00
6411.0101.00	FWS2 3530 E	3.6	3000	1750	1-1/8" Hollow	18mm	20.3	\$1115.00
6411.0201.00	FWS2 4030 E	4.2	3000	1750	1-1/8" Hollow	18mm	20.3	\$1115.00
6411.0301.00	FWS2 4530 E	4.6	3000	1750	1-1/8" Hollow	18mm	20.3	\$1115.00
6411.0400.00	FWS2 5030 E	5.0	3000	1750	1-1/8" Hollow	20mm	20.3	\$1115.00
6411.0701.00	FWS2 5530 E	5.5	3000	1750	1-1/8" Hollow	20mm	20.3	\$1115.00

**FWD2 SERIES > Pumps-Electric Flange**

**3400 RPM - 184T Elec. Flange**

- 1/2" FPT Inlet, 3/8" FPT Outlet
- 184T Electric Motor Flange with 1-1/8" Hollow Shaft
- **Pallet Qty: 60 Boxed or Egg-Crated**

PART #	MODEL #	GPM	PSI	RPM	SHAFT	PISTON	WT	LIST PRICE
6412.0100.00	FWD2 4530 E	4.4	3000	3400	1-1/8" Hollow	18mm	20.3	\$1190.00

**FW Series Mounting Rail Kits**

5011.0185.00	Standard Rail Kit for FW Series Pump	\$23.08
5011.0216.00	Tall Rail Kit for FW Series Pump	\$23.24

**FW Series Repair Kits (Kits also on Pages 30 & 31)**

5019.0218.00	Water Seal Kit, 18mm, 3000 PSI	\$168.29	5025.0011.00	Check Valve Kit	\$93.68
5019.0631.00	Water Seal Kit, 18mm, 4000 PSI	\$213.25	5025.0025.00	High Flow Valve Kit, 5+GPM	\$124.87
5019.0039.00	Water Seal Kit, 20mm	\$249.34	2409.0073.00	FW Piston Kit, 18mm	\$252.50
5019.0219.00	Oil Seal Kit, Solid Shaft	\$73.95	2409.0074.00	FW Piston Kit, 20mm	\$269.32
5019.0702.00	Hot Water Seal Kit, 18mm	\$128.67	5019.0054.00	Hot Water Seals Only, 20mm	\$108.56
5019.0703.00	Hot Water Kit, (Seals Only), 18mm	\$112.51	5019.0669.00	Hot Water Complete Kit, 20mm	\$124.16



# RW Series

## Premium Pumps



> **1450 RPM**  
 > **1750 RPM**

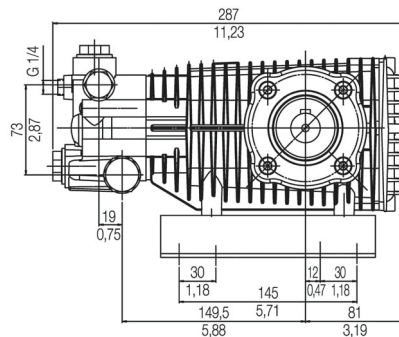
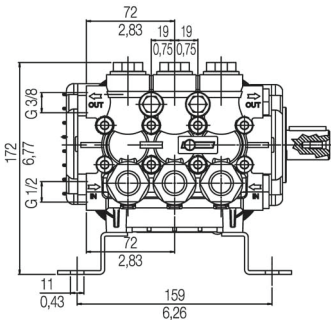
- Heavy Duty up to 4000 PSI
- High Volume up to 6.6 GPM
- Long Life Seals

- 1/2" FPT Inlet – 3/8" FPT Outlet
- Right or Left Hand Mounting Available-Solid Shaft Only
- Crankcase: Die-Cast Aluminum Alloy for Protection Against Corrosion
- Piston Guides are Heat Treated Stainless Steel
- Highly Efficient Stainless Steel Check Valves
- Solid Ceramic Plungers
- Brass Manifold: Forged for Maximum Strength and Longer Life up to 4000 PSI
- Direct Mount to Gas Engines or Electric Motors
- One Piece, Solid Bronze Alloy Connection Rods
- Solid Shaft 24mm for Belt Drive, Gearbox or Flex Couplers
- Oil Cap: New Travel/Working Oil Cap
- High Quality Tapered Roller Bearings
- Large Oil Capacity Dissipates Heat and Improves Lubrication for Longer Life

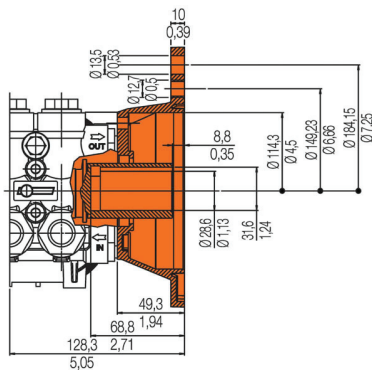
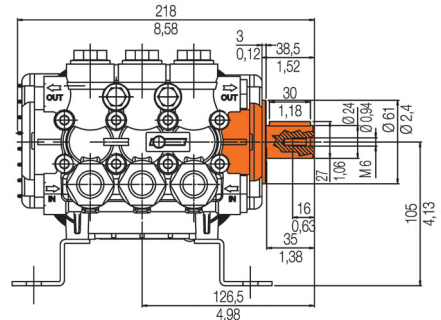
• Torque Specs Available on Page 31

**Pallet Qty: 72-Boxed; 72 Egg-Crated**

**Takes 27 Ounces Pump Oil**



**Solid Shaft  
RW-S**



**Electric Shaft  
RW-E**





## RW SERIES > Pumps-Solid Shaft

### 1450 RPM - 24mm Solid Shaft

• 1/2" FPT Inlet, 3/8" FPT Outlet

PART #	MODEL #	GPM	PSI	RPM	SHAFT	PISTON	WT	LIST PRICE
6517.0100.00	RW 4030 S	4.1	3000	1450	24mm Solid Shaft	20mm	27.0	\$1105.00
6517.0102.00*	RW 4030 S	4.1	3000	1450	24mm Solid Shaft	20mm	27.0	\$1440.00
6517.0600.00	RW 5030 S	5.0	3000	1450	24mm Solid Shaft	20mm	27.0	\$1105.00
6517.0800.00	RW 5530 S	5.5	3000	1450	24mm Solid Shaft	20mm	27.0	\$1105.00
6517.0803.00*	RW 5530 S	5.5	3000	1450	24mm Solid Shaft	20mm	27.0	\$1440.00
6517.0900.00	RW 6030 S	6.2	3000	1450	24mm Solid Shaft	20mm	27.0	\$1195.00
6517.0902.00*	RW 6030 S	6.2	3000	1450	24mm Solid Shaft	20mm	27.0	\$1545.00
6517.1100.00	RW 4035 S	4.0	3500	1450	24mm Solid Shaft	20mm	27.0	\$1160.00
6517.1300.00	RW 5535 S	5.5	3500	1450	24mm Solid Shaft	20mm	27.0	\$1160.00
6517.1301.00*	RW 5535 S	5.5	3500	1450	24mm Solid Shaft	20mm	27.0	\$1370.00
6517.1001.00	RW 3540 S	3.3	4000	1450	24mm Solid Shaft	18mm	27.0	\$1165.00
6517.1400.00	RW 4040 S	4.0	4000	1450	24mm Solid Shaft	18mm	27.0	\$1165.00
6517.1101.00	RW 4540 S	4.4	4000	1450	24mm Solid Shaft	18mm	27.0	\$1165.00
6517.1201.00	RW 5040 S	4.9	4000	1450	24mm Solid Shaft	18mm	27.0	\$1195.00

\*Hot Water Pump with Kevlar Seals

## RWS SERIES > Pumps-Solid Shaft

### 1750 RPM - 24mm Solid Shaft

• 1/2" FPT Inlet, 3/8" FPT Outlet

PART #	MODEL #	GPM	PSI	RPM	SHAFT	PISTON	WT	LIST PRICE
6518.0800.00	RWS 6020 S	5.9	2000	1750	24mm Solid Shaft	20mm	27.0	\$1105.00
6518.0900.00	RWS 6520 S	6.6	2000	1750	24mm Solid Shaft	20mm	27.0	\$1105.00
6518.1600.00	RWS 7020 S	7.0	2000	1750	24mm Solid Shaft	20mm	27.0	\$1165.00
6518.0100.00	RWS 3030 S	3.0	3000	1750	24mm Solid Shaft	20mm	27.0	\$1125.00
6518.0200.00	RWS 3530 S	3.6	3000	1750	24mm Solid Shaft	20mm	27.0	\$1105.00
6518.0400.00	RWS 4030 S	4.1	3000	1750	24mm Solid Shaft	20mm	27.0	\$1155.00
6518.0500.00	RWS 4530 S	4.4	3000	1750	24mm Solid Shaft	20mm	27.0	\$1275.00
6518.0600.00	RWS 5030 S	4.9	3000	1750	24mm Solid Shaft	20mm	27.0	\$1105.00
6518.0700.00	RWS 5530 S	5.7	3000	1750	24mm Solid Shaft	20mm	27.0	\$1105.00
6518.1000.00	RWS 3035 S	3.0	3500	1750	24mm Solid Shaft	20mm	27.0	\$1105.00
6518.1500.00	RWS 5535 S	5.7	3500	1750	24mm Solid Shaft	20mm	27.0	\$1165.00
6518.1101.00	RWS 3540 S	3.6	4000	1750	24mm Solid Shaft	18mm	27.0	\$1165.00
6518.1201.00	RWS 4040 S	4.0	4000	1750	24mm Solid Shaft	18mm	27.0	\$1165.00
6518.1301.00	RWS 4540 S	4.8	4000	1750	24mm Solid Shaft	18mm	27.0	\$1165.00
6518.1401.00	RWS 5040 S	5.3	4000	1750	24mm Solid Shaft	18mm	27.0	\$1225.00
6518.0801.00	RWS 6040 S	6.0	4000	1750	24mm Solid Shaft	18mm	27.0	\$1225.00

## RWS SERIES > Pumps-Electric Flange

### 1750 RPM - 1-1/8" Hollow Shaft

• 1/2" FPT Inlet, 3/8" FPT Outlet

• 184T Electric Flange with 1-1/8" Hollow Shaft

PART #	MODEL #	GPM	PSI	RPM	SHAFT	PISTON	WT	LIST PRICE
6518.0201.00	RWS 3530 E	3.6	3000	1750	1-1/8" Hollow	20mm	27.0	\$1170.00
6518.0401.00	RWS 4030 E	4.1	3000	1750	1-1/8" Hollow	20mm	27.0	\$1170.00
6518.0501.00	RWS 4530 E	4.4	3000	1750	1-1/8" Hollow	20mm	27.0	\$1170.00
6518.0601.00	RWS 5030 E	4.9	3000	1750	1-1/8" Hollow	20mm	27.0	\$1235.00
6518.0701.00	RWS 5530 E	5.7	3000	1750	1-1/8" Hollow	20mm	27.0	\$1235.00

#### RW Series Mounting Rail Kits

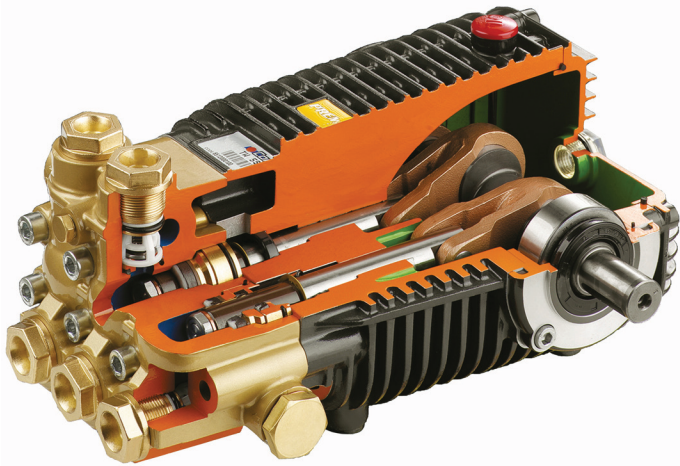
5011.0229.00	Standard Rail Kit for RW Series Pump	\$24.85
5011.0257.00	Tall Rail Kit for RW Series Pump	\$42.38

#### RW Series Repair Kits (Kits also on Pages 30 & 31)

2409.0146.00	RW Piston Kit, 18mm	\$252.50	5019.0673.00	RW Water Seal Kit, 18mm	\$244.14
2409.0145.00	RW Piston Kit, 20mm	\$269.32	5019.0672.00	RW Water Seal Kit, 20mm	\$264.73
5025.0011.00	Valve Kit up to 4.8 GPM	\$93.68	5019.0675.00	RW Oil Seal Kit, Solid Shaft	\$73.95
5025.0025.00	Valve Kit 4.9+ GPM	\$124.87	5019.0679.00	RW Oil Seal Kit, Hollow Shaft	\$73.95
5019.0676.00	Seal Kit, Hot Water, 20mm	\$275.59	5019.0674.00	Water Seal Kit, Kevlar, 20mm	\$435.33

# SW Series

## Premium Pumps



- > **1450 RPM**
- > **1750 RPM**

- Heavy Duty up to 4000 PSI
- High Volume up to 5.5 GPM
- Long Life Seals

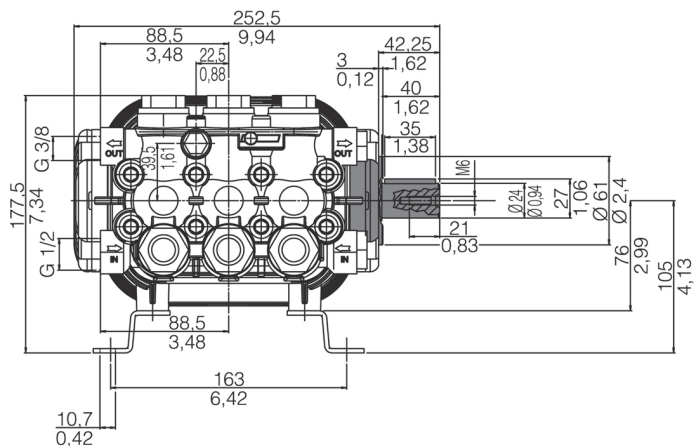
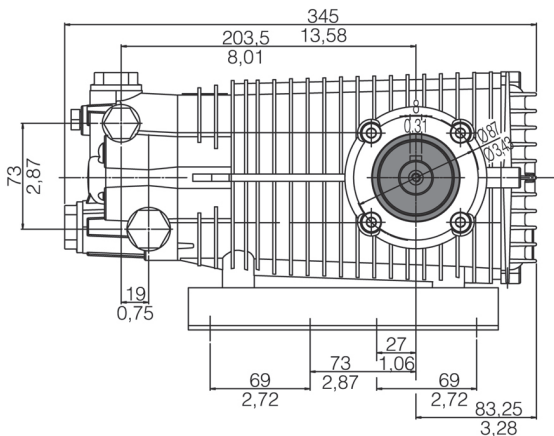
- 1/2" FPT Inlet, 3/8" FPT Outlet
- Right or Left Hand Mounting Available
- Crankcase: Die-Cast Aluminum Alloy for Protection Against Corrosion
- Piston Guides are Heat Treated Stainless Steel
- Highly Efficient Stainless Steel Check Valves
- Solid Ceramic Plungers
- Brass Manifold: Forged for Maximum Strength and Longer Life up to 4000 PSI
- One Piece, Solid Bronze Alloy Connection Rods
- Solid Shaft 24mm for Belt Drive, Gearbox or Flex Couplers
- Oil Cap: New Travel/Working Oil Cap
- High Quality Tapered Roller Bearings
- Large Oil Capacity Dissipates Heat and Improves Lubrication for Longer Life

• Torque Specs Available on Page 31

**24mm Solid Keyed Shaft**

**Pallet Qty: 24**

**Takes 37 Ounces Pump Oil**



**Solid Shaft**  
**SW-S**



## SW SERIES > Pumps-Solid Shaft

- 1/2" FPT Inlet, 3/8" FPT Outlet

PART #	MODEL #	GPM	PSI	RPM	SHAFT	PISTON	WT	LIST PRICE
6515.0100.00	SW 4040 S	4.0	4000	1450	24mm	20mm	40.0	\$1545.00
6515.0102.00*	SW 4040 S	4.0	4000	1450	24mm	20mm	40.0	\$1670.00
6515.0200.00	SW 5540 S	5.5	4000	1450	24mm	20mm	40.0	\$1545.00
6515.0204.00*	SW 5540 S	5.5	4000	1450	24mm	20mm	40.0	\$1755.00

\*Hot Water Pump with Kevlar Seals

## SWS SERIES > Pumps-Solid Shaft

- 1/2" FPT Inlet, 3/8" FPT Outlet

PART #	MODEL #	GPM	PSI	RPM	SHAFT	PISTON	WT	LIST PRICE
6516.0200.00	SWS 5025 S	5.0	2500	1750	24mm	20mm	40.0	\$1545.00
6516.0100.00	SWS 4040 S	4.0	4000	1750	24mm	20mm	40.0	\$1545.00
6516.0101.00*	SWS 4040 S	4.0	4000	1750	24mm	20mm	40.0	\$1750.00

\*Hot Water Pump with Kevlar Seals

### SW Series Mounting Rail Kits

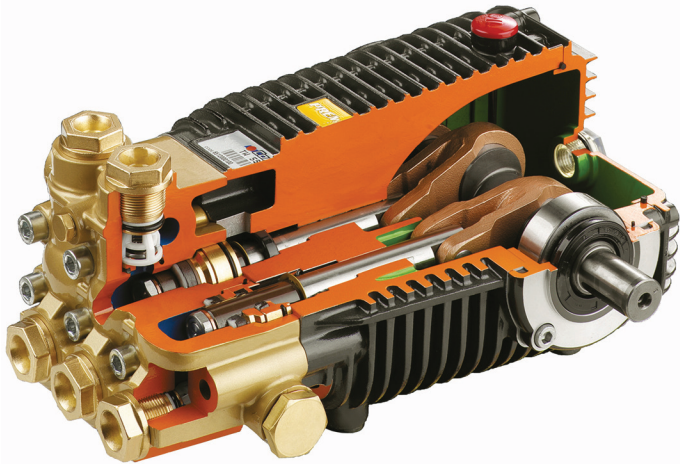
5011.0214.00	Standard Rail Kit for SW/TW Series Pump	\$32.90
5011.0278.00	Tall Rail Kit for Premium Series Pump	\$28.51

### SW Series Repair Kits (Kits also on Pages 30 & 31)

5025.0011.00	Valve Kit	\$93.68
5025.0025.00	High Flow Valve Kit, 5+GPM	\$124.87
2409.0074.00	SW Piston Kit, 20mm	\$269.32
5019.0648.00	Seal Kit, Water, 20mm	\$199.90
5019.0650.00	Oil Seal Kit,	\$69.52
5019.0670.00	SW Hot Water, Seal Kit, 20mm	\$288.93
5019.0665.00	SW Kevlar, Seal Kit, 20mm	\$475.29

# TW Series

## Premium Pumps



- 1/2" or 3/4" FPT Inlet
- 1/2" or 3/8" FPT Outlet
- Right or Left Hand Mounting Available
- Crankcase: Die-Cast Aluminum Alloy for Protection Against Corrosion
- Piston Guides are Heat Treated Stainless Steel
- Highly Efficient Stainless Steel Check Valves
- Solid Ceramic Plungers
- Brass Manifold: Forged for Maximum Strength and Longer Life up to 5000 PSI
- Solid Bronze Alloy Connection Rods
- Solid Shaft 24mm for Belt Drive, Gearbox or Flex Couplers
- Oil Cap: New Travel/Working Oil Cap
- High Quality Tapered Roller Bearings
- Large Oil Capacity Dissipates Heat and Improves Lubrication for Longer Life

- > **1000 RPM**
- > **1450 RPM**
- > **1750 RPM**

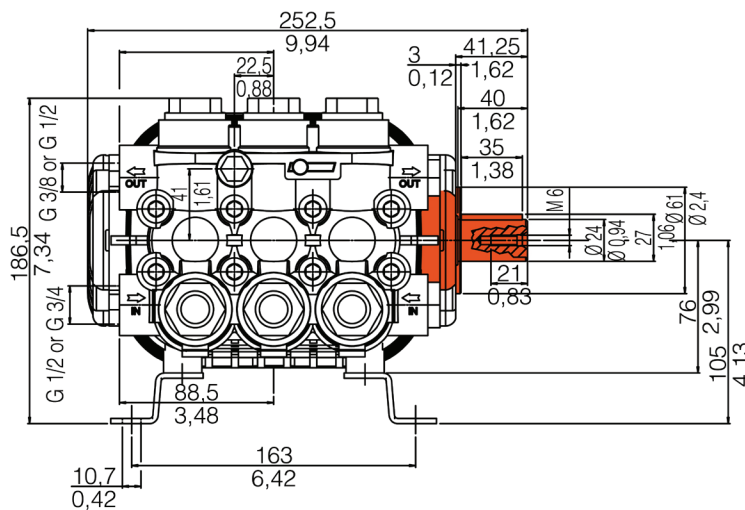
- Heavy Duty up to 7300 PSI
- High Volume up to 13.0 GPM
- Long Life Seals

• Torque Specs Available on Page 31

**24mm Solid Keyed Shaft**

**Pallet Qty: 24**

**Takes 37 Ounces Pump Oil**



**Solid Shaft  
TW-S**





## TWN SERIES > Pumps-Solid Shaft

PART #	MODEL #	GPM	PSI	RPM	SHAFT	PISTON	INLET	OUTLET	WT	LIST PRICE
6512.0200.00	TWN 7025 S	7.0	2500	1000	25mm	25mm	3/4"	1/2"	45.0	\$1835.00
6512.0300.00	TWN 8025 S	8.0	2500	1000	25mm	25mm	3/4"	1/2"	45.0	\$1835.00
6512.0100.00	TWN 6036 S	6.0	3600	1000	25mm	22mm	3/4"	1/2"	45.0	\$1835.00

## TW SERIES > Pumps-Solid Shaft

PART #	MODEL #	GPM	PSI	RPM	SHAFT	PISTON	INLET	OUTLET	WT	LIST PRICE
6513.1200.00	TW 11025 S	11.0	2500	1450	24mm	25mm	3/4"	1/2"	45.0	\$2025.00
6513.1201.00*	TW 11025 S	11.0	2500	1450	24mm	25mm	3/4"	1/2"	45.0	\$2110.00
6513.1000.00	TW 10025 S	10.0	2500	1450	24mm	25mm	3/4"	1/2"	45.0	\$2025.00
6513.1400.00	TW 8030 S	8.7	3000	1450	24mm	22mm	3/4"	1/2"	45.0	\$1905.00
6513.1401.00*	TW 8030 S	8.7	3000	1450	24mm	22mm	3/4"	1/2"	45.0	\$2465.00
6513.0700.00	TW 7036 S	7.0	3600	1450	24mm	22mm	3/4"	1/2"	45.0	\$1830.00
6513.0900.00	TW 8036 S	8.6	3600	1450	24mm	22mm	3/4"	1/2"	45.0	\$1830.00
6513.0902.00*	TW 8036 S	8.6	3600	1450	24mm	22mm	3/4"	1/2"	45.0	\$2300.00
6513.1700.00	TW 8040 S	8.6	4000	1450	30mm	22mm	3/4"	1/2"	45.0	\$2065.00
6513.0400.00	TW 4550 S	4.7	5000	1450	24mm	18mm	1/2"	3/8"	45.0	\$1940.00
6513.1300.00	TW 5050 S	5.2	5000	1450	24mm	18mm	1/2"	3/8"	45.0	\$1940.00
6513.0300.00	TW 5550 S	5.8	5000	1450	24mm	18mm	1/2"	3/8"	45.0	\$1940.00
6513.2000.00	TW 3570 S	3.4	7300	1450	24mm	18mm	1/2"	3/8"	45.0	\$2665.00
6513.1801.00	TW 4070 S	3.9	7300	1450	24mm	18mm	1/2"	3/8"	45.0	\$2665.00
6513.1800.00	TW 4070 S	4.0	7300	1450	30mm	18mm	1/2"	3/8"	45.0	\$2665.00
6513.1900.00	TW 5070 S	5.3	7300	1450	30mm	18mm	1/2"	3/8"	45.0	\$2875.00
6513.1500.00	TW 5570 S	5.8	7300	1450	30mm	18mm	1/2"	3/8"	45.0	\$2830.00

\*Hot Water Pump with Kevlar Seals

## TWS SERIES > Pumps-Solid Shaft

PART #	MODEL #	GPM	PSI	RPM	SHAFT	PISTON	INLET	OUTLET	WT	LIST PRICE
6514.0900.00	TWS 13020 S	13.0	2000	1750	24mm	25mm	3/4"	1/2"	45.0	\$2025.00
6514.0800.00	TWS 10025 S	10.7	2500	1750	24mm	25mm	3/4"	1/2"	45.0	\$2025.00
6514.0700.00	TWS 9030 S	9.3	3000	1750	24mm	22mm	3/4"	1/2"	45.0	\$1950.00
6514.1100.00	TWS 10030 S	10.7	3000	1750	24mm	22mm	3/4"	1/2"	45.0	\$1950.00
6514.0600.00	TWS 8035 S	8.3	3500	1750	24mm	22mm	3/4"	1/2"	45.0	\$1830.00
6514.0500.00	TWS 7040 S	7.0	4000	1750	24mm	18mm	1/2"	3/8"	45.0	\$1895.00
6514.1000.00	TWS 5050 S	5.3	5000	1750	24mm	18mm	1/2"	3/8"	45.0	\$1895.00
6514.0100.00	TWS 5550 S	5.6	5000	1750	24mm	18mm	1/2"	3/8"	45.0	\$1895.00

### TW Series Mounting Rail Kits

5011.0214.00	Standard Rail Kit for SW/TW Series Pump	\$32.90
5011.0278.00	Tall Rail Kit for Premium Series Pump	\$28.51

### TW Series Repair Kits (Kits also on Pages 30 & 31)

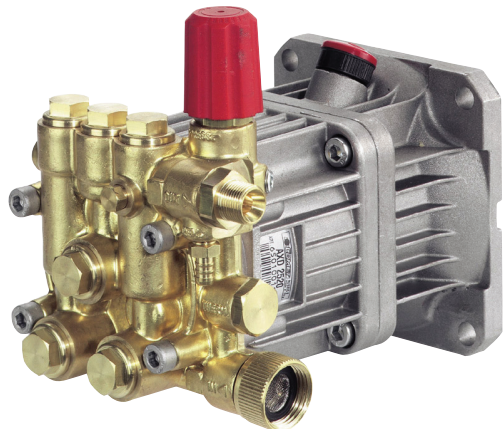
5025.0020.00	Valve Kit (Up to 3600 PSI)	\$142.00	5019.0645.00	Seal Kit 18mm, Water	\$205.20
5025.0021.00	Valve Kit (4000+PSI)	\$169.93	5019.0646.00	Seal Kit 22mm, Water	\$210.09
5025.0050.00	Valve Kit (7000)	\$401.23	5019.0647.00	Seal Kit 25mm, Water	\$265.34
2409.0116.00	Piston Kit 18mm	\$218.15	5019.0644.00	Seal Kit, Oil (Up to 3600 PSI)	\$80.02
2409.0114.00	Piston Kit 22mm	\$390.25	5019.0649.00	Seal Kit, Oil (4000+ PSI)	\$90.11
2409.0115.00	Piston Kit 25mm	\$427.22	5019.0229.00	Seal Kit, Oil (7000)	\$102.79
	5019.0228.00	Seal Kit, Water (7000 PSI)	\$551.03		
	5019.0653.00	Hot Water Packing Kit 18mm	\$272.64		
	5019.0654.00	Hot Water Packing Kit 22mm	\$320.73		
	5019.0655.00	Hot Water Packing Kit 25mm	\$350.05		
	5019.0662.00	Seal Kit, Kevlar 22mm	\$544.12		
	5019.0663.00	Seal Kit, Kevlar 25mm	\$617.06		

# AX & LW Series

## Misting Pumps

### AXS SERIES > Pumps-Low Flow, Misting

**1750 RPM - 5/8" Hollow Shaft**



- 3/4" FGH Inlet – 3/8" MPT Outlet
- Built-in Uniflow Unloader and Chemical Injector
- Ceramic Plungers
- Built-in Garden Hose Adapter
- Industrial Duty Construction for Extended Life
- Optional Built-in Thermal Protector (#1215.0354.00)
- Optional Built-in Pressure Relief Valve (#1215.0311.00)
- Stainless Steel Check Valves
- Forged Brass Manifold
- Patent Registered Ball Bearing Design
- **Misting and High Pressure Applications**
- **Pallet Qty: 90-Boxed; 70-Egg-Crated**

PART #	MODEL #	GPM	PSI	RPM	SHAFT	PISTON	WT	LIST PRICE
6502.0009.00	AXS 0415 E	0.4	1500	1750	5/8" Hollow	14mm	13.0	\$575.00
6502.0010.00	AXS 0615 E	0.6	1500	1750	5/8" Hollow	14mm	13.0	\$575.00
6502.0005.00	AXS 1015 E	0.9	1500	1750	5/8" Hollow	14mm	13.0	\$575.00
6502.0008.00	AXS 1315 E	1.3	1500	1750	5/8" Hollow	14mm	13.0	\$575.00
6502.0006.00	AXS 2015 E	1.7	1500	1750	5/8" Hollow	14mm	13.0	\$575.00

### LW SERIES > Pumps-Low Flow, Misting

**1450 RPM - 1750 RPM**

**24mm Solid Shaft - 5/8" Hollow - 3/4" Hollow**



- 3/8" FPT Inlet, 3/8" FPT Discharge
- Anodized, Die-Cast Aluminum Crankcase
- Solid Ceramic Plungers
- Stainless Steel Check Valves & Piston Guides
- Buna-Textile V-Packings
- Reversible Crankcase for Right or Left Hand Mounting
- 24mm Solid, Keyed Shaft
- **Misting and High Pressure Applications**
- **Pallet Qty 100 (Boxed or Egg-Crated)**

PART #	MODEL #	GPM	PSI	RPM	SHAFT	PISTON	WT	LIST PRICE
6300.1501.00	LW 0509 S	0.5	1500	1450	24mm Solid	15mm	13.4	\$665.00
6300.1401.00	LW 1009 S	1.0	1500	1450	24mm Solid	18mm	13.4	\$665.00
6300.1601.00	LW 1509 S	1.5	1500	1450	24mm Solid	18mm	13.4	\$665.00
6301.2700.00	LWS 0609 S	0.6	1500	1750	24mm Solid	15mm	13.4	\$665.00
6301.2500.00	LWS 1209 S	1.2	1500	1750	24mm Solid	18mm	13.4	\$665.00
6301.2600.00	LWS 1809 S	1.8	1500	1750	24mm Solid	18mm	13.4	\$665.00
6301.2701.00	LWS 0609 E	0.6	1500	1750	5/8" Hollow	15mm	13.4	\$690.00
6301.2501.00	LWS 1209 E	1.2	1500	1750	5/8" Hollow	18mm	13.4	\$690.00
6301.2601.00	LWS 1809 E	1.8	1500	1750	5/8" Hollow	18mm	13.4	\$690.00
6301.2300.00	LWS 0409 GE	0.4	1500	1750	3/4" Hollow	18mm	13.4	\$690.00

# Pump Accessories

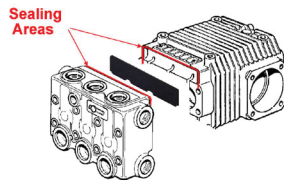
## ANTI-FREEZE-Pump Saver



- Protects Pump from Freezing in Winter
- Attaches to any Pump Inlet to Fill Pump Chamber

Part #	Description	List Price
8102.5000.00	Pump Saver, 16 oz.	\$21.59

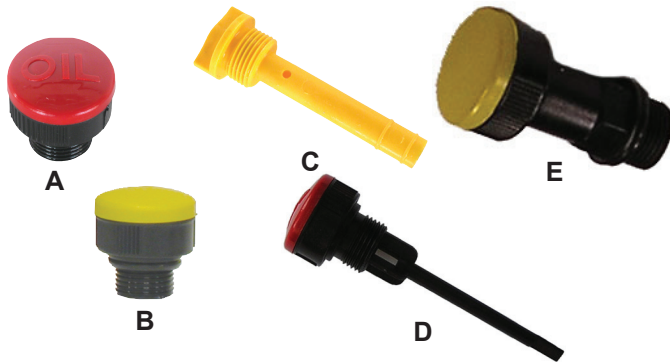
## GASKET-Manifold



- Extra Protection Against a dirty Environment

Part #	Description	List Price
1201.0168.00	Seal for LW & ZW	\$6.10
1201.0167.00	Seal for FW & HW	\$6.10

## PUMPS-Oil Caps & Dipsticks



Part #	Description	List Price
3200.0071.00	Oil Cap, AX	A \$6.13
3200.0086.00	Oil Cap, BX	B \$8.48
3200.0051.00	Dipstick, LW,ZW,FW,HW,RW	C \$5.18
3200.0075.00	Dipstick, SW & TW	D \$11.81
3200.0138.00	Oil Cap, Vented, Long, BXD	E \$9.17

## OIL-Comet Pumps



- Specially Formulated for use in all High-Pressure Industrial Piston Pumps
- Universal Tractor Transmission Oil (UTTO)
- 30 Wt. Non-Detergent & Non-Foaming

Part #	Description	List Price
8102.1801.00	Pump Oil, 32 oz. Bottle	\$10.43
8102.1802.00	Pump Oil, Case of 12 Bottles	\$125.11

Comet Industrial Pump Oil is a special formulated non-detergent, non-foaming oil, which is AW100 rated for superior oxidation protection. Comet recommends changing pump oil after the initial 50 hours of operation and every 300 hours thereafter.

## OIL-HPP Pumps

Part #	Description	List Price
8102.1811.00	Pump Oil, 2.5 Gal. Bottle	\$109.66
8102.1812.00	Pump Oil, Case of 2 Bottles	\$219.31

## PUMPS-Rail Kits



Part #	Description	Height	List Price
5011.0184.00	Rail Kit for LW	1-3/8"	\$11.83
5011.0216.00	Tall Rail Kit for LW	2-1/2"	\$23.24
5011.0185.00	Rail Kit for FW & HW	1"	\$23.08
5011.0229.00	Rail Kit for RW	1-3/8"	\$24.85
5011.0214.00	Rail Kit for SW & TW	1-3/8"	\$32.90
5011.0257.00	Tall Rail Kit for RW	2-1/2"	\$42.38
5011.0278.00	Tall Rail Kit for SW & TW	2-1/2"	\$28.51



# Repair Kits



All Comet Pump repair kits contain the quantity of components necessary to rebuild the entire pump.

## Seal / Packing Replacement



**AXD      LW      ZWD      FW-HW**

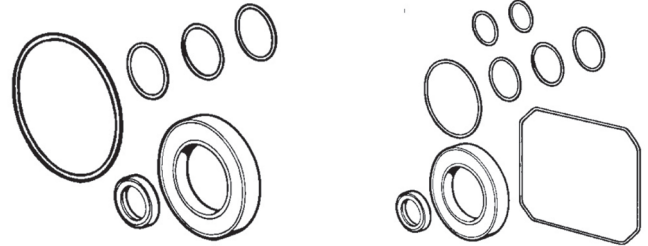
Part #	Description	List Price
5026.0265.00	VRX, Piston Seal Kit, 1700 PSI	\$19.44
5026.0256.00	VRX, Piston Seal Kit, 2200+ PSI	\$54.94
5019.0667.00	BXD Gas, Seal Kit, Water	\$73.09
5019.0671.00	BXD Elect., Seal Kit, Water	\$73.39
5019.0077.00	AXD/AXS Seal Kit 2,000 PSI	\$83.32
5019.0078.00	AXD Seal Kit 2,500 PSI	\$104.79
5019.0086.00	AXD Seal Kit 3,000 PSI	\$108.36
5019.0684.00	BWD, Seal Kit, 2000 PSI	\$83.77
5019.0686.00	BWD, AWD Seal Kit, 2700 PSI	\$112.30
5019.0035.00	LW Seal Kit, 15mm	\$82.67
5019.0037.00	LW Seal Kit, 18mm	\$84.20
5019.0064.00	ZWD Seal Kit, 15mm	\$94.60
5019.0038.00	FW Seal Kit, 18mm	\$162.38
5019.0218.00	FW2 Seal Kit, 18mm	\$168.29
5019.0039.00	FW Seal Kit, 20mm	\$249.34
5019.0631.00	HW Seal Kit, 18mm	\$213.25
5019.0673.00	RW Seal Kit 18mm, Water	\$244.14
5019.0672.00	RW Seal Kit 20mm, Water	\$264.73
5019.0648.00	SW Seal Kit 20mm, Water	\$199.90
5019.0645.00	TW Seal Kit 18mm, Water	\$205.20
5019.0228.00	TW Seal Kit 18mm (7000 PSI)	\$551.03
5019.0646.00	TW Seal Kit 22mm, Water	\$210.09
5019.0647.00	TW Seal Kit 25mm, Water	\$265.34

\*Brass Not Included

## Unloader Repair

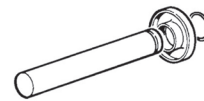
Part #	Description	List Price
5026.0143.00	AX/GXD Unloader Rebuild Kit	\$121.81
5026.0144.00	AX/GXD Maintenance Kit	\$42.41
5026.0142.00	AX/GXD Unloader Kit M22X1.5	\$121.81
1215.0401.00	BXD Elect., Cartridge 1900 PSI	\$97.25
1215.0402.00	AXD Cartridge 2610 PSI	\$97.25
1215.0586.00	BXD-G,BW/AW,ZW Crtdg. 4000 PSI	\$112.51
5026.0123.00	LW Unloader Maintenance Kit	\$45.97
5026.0130.00	LW Unloader Rebuild Kit	\$116.41

## Oil Seal Replacement

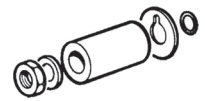


Part #	Description	List Price
5019.0659.00	GXD Seal Kit	\$32.52
5019.0079.00	AX/AXS Oil Seal Kit	\$47.30
5019.0685.00	BW Oil Seal Kit	\$56.41
5019.0687.00	AW Oil Seal Kit	\$56.41
5019.0040.00	LW/ZW Oil Seal Kit Solid Shaft	\$50.87
5019.0044.00	FW, HW, HWS Kit Solid Shaft	\$61.88
5019.0219.00	FW2 Oil Seal Kit	\$73.95
5019.0041.00	LW Oil Seal Kit Hollow Shaft	\$51.89
5019.0065.00	ZWD Oil Seal Kit Hollow Shaft	\$52.90
5019.0045.00	FW/HWD Oil Seal Kit Hollow Shaft	\$58.31
5019.0650.00	SW Seal Kit	\$69.52
5019.0644.00	TW Seal Kit, Oil (Up to 3600 PSI)	\$80.02
5019.0649.00	TW Seal Kit, Oil (4000+ PSI)	\$90.11
5019.0229.00	TW Seal Kit, Oil (7000 PSI)	\$102.79
5019.0675.00	RW Oil Seal Kit, Solid Shaft	\$73.95
5019.0679.00	RW Oil Seal Kit, Hollow Shaft	\$73.95

## Piston



**AXD**



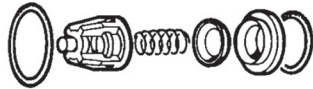
**LW, ZW, FW, HW**

Part #	Description	List Price
5026.0260.00	VRX, Piston Seal Kit, All VRX's	\$53.52
2409.0126.00	GXD Piston Kit	\$68.71
2409.0092.00	AXD/AXS Piston Kit	\$203.97
2409.0103.00	AXD Piston Kit 3,000 PSI	\$220.69
2409.0071.00	LW/ZWD Piston Kit, 15mm	\$214.07
2409.0072.00	LW Piston Kit, 18mm	\$218.65
2409.0073.00	FW/HW Piston Kit, 18mm	\$252.50
2409.0074.00	FW/SW Piston Kit, 20mm	\$269.32
2409.0146.00	RW Piston Kit, 18mm	\$252.50
2409.0145.00	RW Piston Kit, 20mm	\$269.32
2409.0116.00	TW Piston Kit 18mm	\$218.15
2409.0114.00	TW Piston Kit 22mm	\$390.25
2409.0115.00	TW Piston Kit 25mm	\$427.22



# Repair Kits continued...

## Check Valve



## Hot Water

- Hot water seal protection
- Contains Hot Water Seals only
- Viton Seals are Chemically Resistant

Part #	Description	List Price
5026.0257.00	VRX Check Valve Kit, 2200 PSI	\$46.18
5026.0263.00	VRX Check Valve Kit, 1700 PSI	\$51.27
5026.0270.00	VRX Check Valve Kit, 2400+ PSI	\$60.35
5025.0014.00	AXD/AXS & GXD Check Valve Kit	\$62.08
5025.0027.00	Check Valve Kit, BXD	\$73.90
5025.0030.00	Valve Kit, BWD & AWD	\$64.34
5025.0011.00	LW, ZW, FW2, HW, RW & SW	\$93.68
5025.0025.00	FW2, HWS, RW High Flow, 5+ GPM	\$124.87
5025.0020.00	TW Valve Kit Up to 3600 PSI	\$142.00
5025.0021.00	TW Valve Kit (4000+ PSI)	\$169.93
5025.0050.00	TW Valve Kit (7000 PSI)	\$401.23

Part #	Description	List Price
5019.0048.00	LW, ZW, Hot Water, 15mm	\$62.08
5019.0711.00	ZW Kevlar Seal Kit, 15mm	\$271.15
5019.0049.00	LW,HW-Requires 2,Hot Water,18mm	\$53.31
5019.0050.00	LW, Viton Seal Kit, 18mm	\$392.45
5019.0051.00	LW, ZW, Viton Seal Kit, 15mm	\$318.25
5019.0053.00	FW, Hot Water Seal Kit, 18mm	\$108.56
5019.0702.00	FW2, Hot Water Seal Kit, 18mm	\$128.67
5019.0703.00	FW/FW2, Kit (Seals Only), 18mm	\$112.51
5019.0054.00	FW,FW2, HW Seals Only, 20mm	\$108.56
5019.0669.00	FW,FW2, Complete Kit, 20mm	\$124.16
5019.0676.00	RW Hot Water Seal Kit, 20mm	\$275.59
5019.0710.00	RW Kevlar Seal Kit, 18mm	\$437.23
5019.0674.00	RW Kevlar Seal Kit, 20mm	\$435.33
5019.0665.00	SW Kevlar Seal Kit, 20mm	\$475.29
5019.0670.00	SW Hot Water Seal Kit, 20mm	\$288.93
5019.0653.00	TW Packing Kit, 18mm	\$272.64
5019.0654.00	TW Packing Kit, 22mm	\$320.73
5019.0655.00	TW Packing Kit, 25mm	\$350.05
5019.0662.00	TW Seal Kevlar Kit, 22mm	\$544.12
5019.0663.00	TW Seal Kevlar Kit 25mm	\$617.06

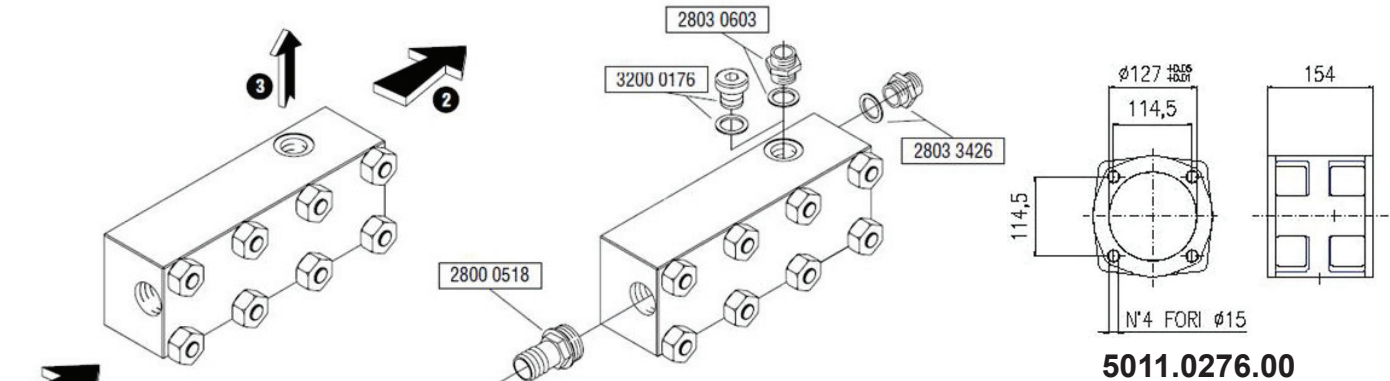
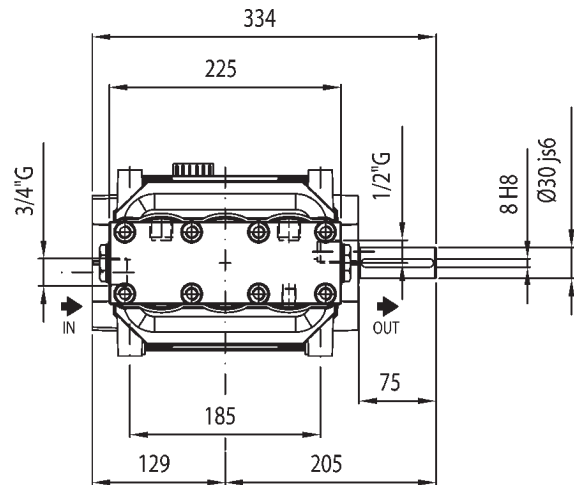
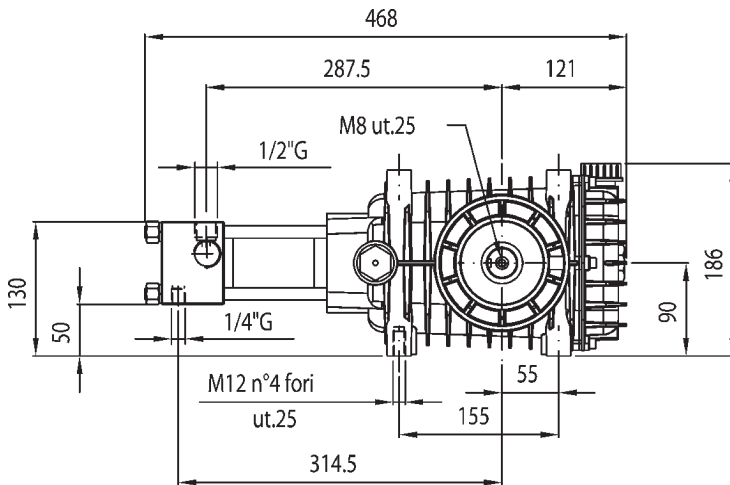
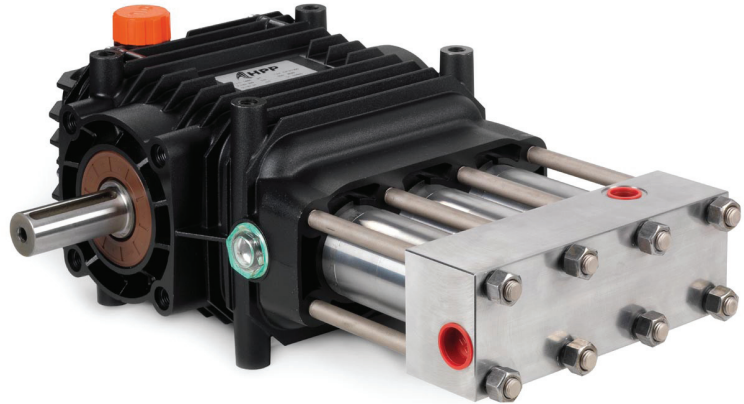
### TORQUE SETTINGS Nm (Ft. Lb.)

DESCRIPTION	BX	AX	BW	LW ZW	AW	FW	HW	FW2	RW	SW	TW	
Manifold Screw	25 (18,4)	25 (18,4)	10 (7,4)	10 (7,4)	<230 Bar 10 (7,4)	25 (18,4)	25 (18,4)	25 (18,4)	25 (18,4)	45 (33,2)	45 (33,2)	
					>230 Bar 80 (59,0)							
Cap Valve (Aluminum Manifold)		35 (25,8)		40 (9,5)								Loctite 243
Cap Valve (Brass Manifold)	45 (33,2)	45 (33,2)	45 (33,2)	<230 Bar 50 (36,9)	45 (33,2)	50 (36,9)	80 (59,0)	<230 Bar 50 (36,9)	<230 Bar 50 (36,9)	80 (59,0)		Loctite 243
				>230 Bar 60 (44,3)				>230 Bar 80 (59,0)	>230 Bar 80 (59,0)		<360 Bar 80 (59,0)	Loctite 243
											>360 Bar 80 (59,0)	Loctite 270
Bearings Flange Screw Opposite Shaft Side			4 (3,0)	4 (3,0)	4 (3,0)	9 (6,6)	9 (6,6)	9 (6,6)	9 (6,6)	25 (18,4)	25 (18,4)	
Conn. Rod Screw											25 (18,4)	Loctite 243
Crankcase Cover Screw			9 (6,6)	9 (6,6)	9 (6,6)	4 (3,0)	4 (3,0)	4 (3,0)	4 (3,0)	9 (6,6)	9 (6,6)	
Bearing flange Screw Shaft Side			9 (6,6)	9 (6,6)	9 (6,6)	25 (18,4)	25 (18,4)	25 (18,4)	25 (18,4)	25 (18,4)	25 (18,4)	
Piston Nut			6 (4,4)	6 (4,4)	6 (4,4)	10 (7,4)	10 (7,4)	10 (7,4)	10 (7,4)	15 (11,1)	15 (11,1)	Loctite 243
Eccentric Shaft Screw		25 (18,4)										Loctite 243
Crankcase Flange Screw	25 (18,4)	25 (18,4)										

# CH Series

## HPP Industrial Pumps

- Anodized Aluminum Crankcase
- Stainless Steel Manifold
- Hardened Crankshaft
- Aluminum Connecting Rods
- Ceramic Plungers
- Stainless Steel Valves
- V-Packing Seal Design-Buna N
- Stainless Steel Piston Guides
- Long Life Bearings
- 3/4" Inlet; 1/2" Outlet
- Oil Capacity 84 oz.
- Weight 64 lbs.



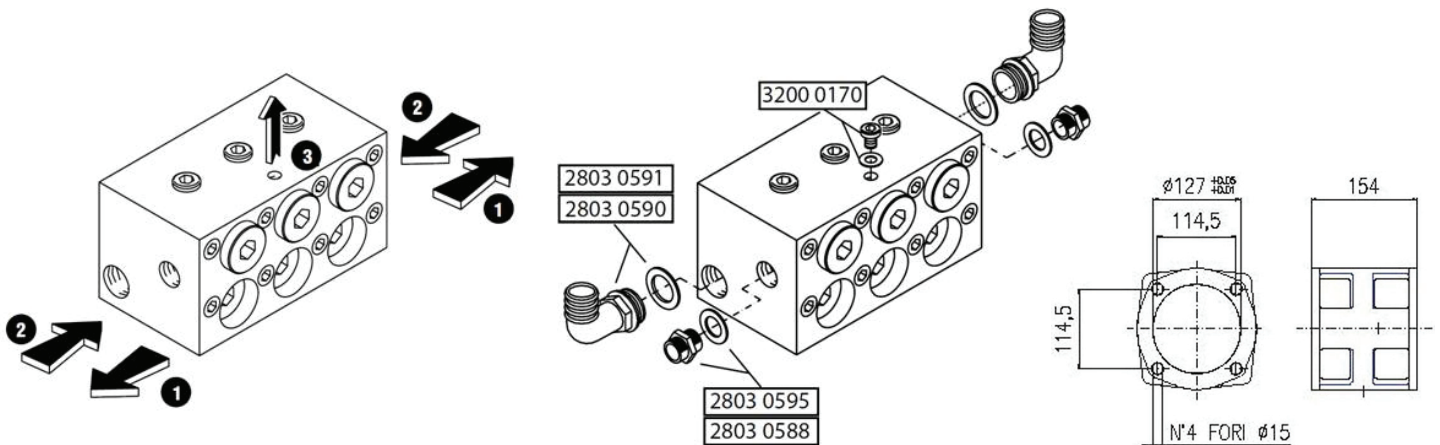
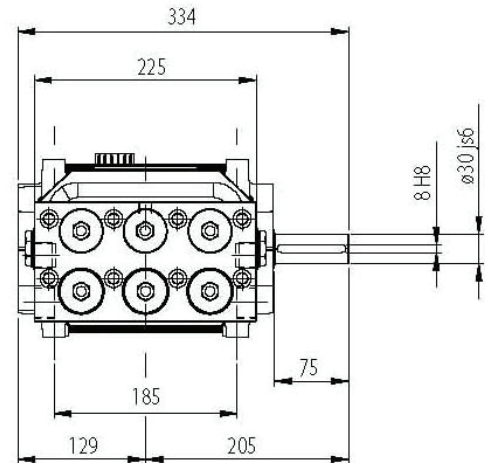
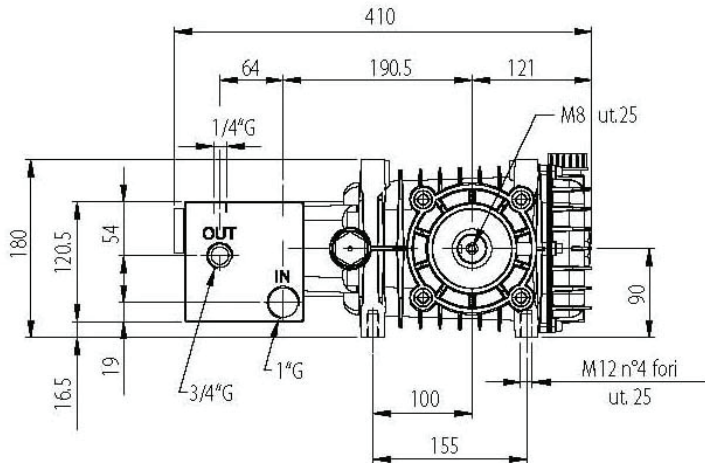
See Page 43 for Connection Kit Pricing

PART #	MODEL #	GPM	PSI	RPM	SHAFT	PISTON	HP	LIST PRICE
6916.0003.00	CH 31/300	8.2	4350	1450	30	20	25	\$5000.00
6916.0005.00	CH 22/400	5.8	5800	1000	30	20	24	\$5000.00
6916.0004.00	CH 18/500	4.7	7250	1000	30	18	24	\$5000.00
6916.0002.00	CH 25/500	6.6	7250	1450	30	18	33	\$5000.00

# CL Series

## HPP Industrial Pumps

- Anodized Aluminum Crankcase
- Stainless Steel Manifold
- Hardened Crankshaft
- Aluminum Connecting Rods
- Ceramic Plungers
- Polymide Valves
- V-Packing Seal Design-Buna N
- Stainless Steel Piston Guides
- Long Life Bearings
- 1" Inlet; 3/4" Outlet
- Oil Capacity 84 oz.
- Weight 75 lbs.



See Page 43 for Connection Kit Pricing

5011.0276.00

PART #	MODEL #	GPM	PSI	RPM	SHAFT	PISTON	HP	LIST PRICE
6915.0009.00	CL 70/130	18.5	1885	1450	30	30	24	\$5820.00
6915.0008.00	CL 66/140	17.4	2030	1000	30	35	25	\$5820.00
6915.0007.00	CL 49/200	12.9	2900	1000	30	30	26	\$5820.00

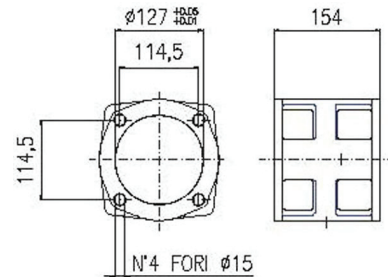
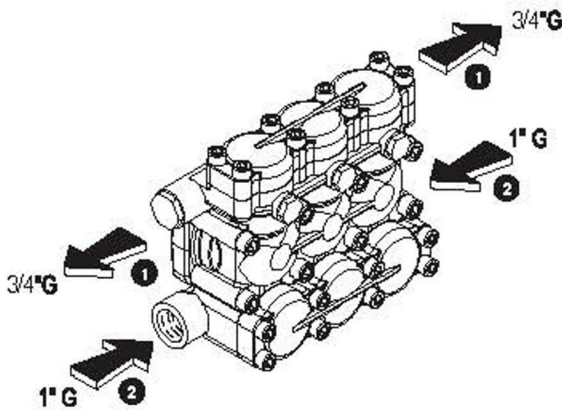
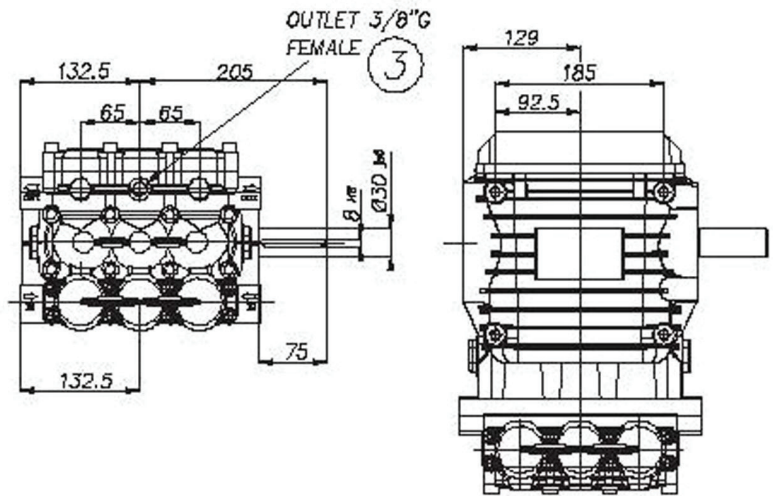
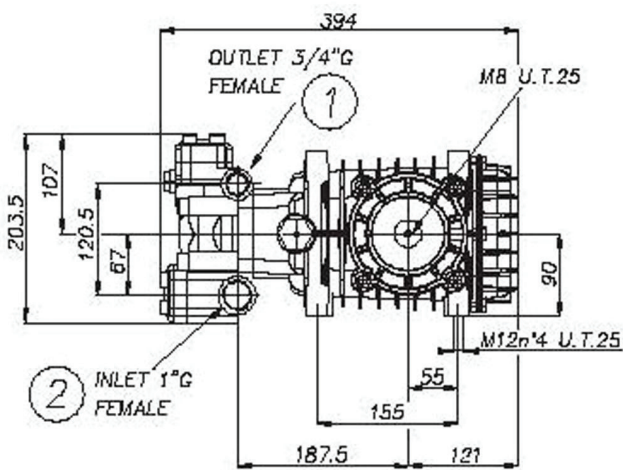
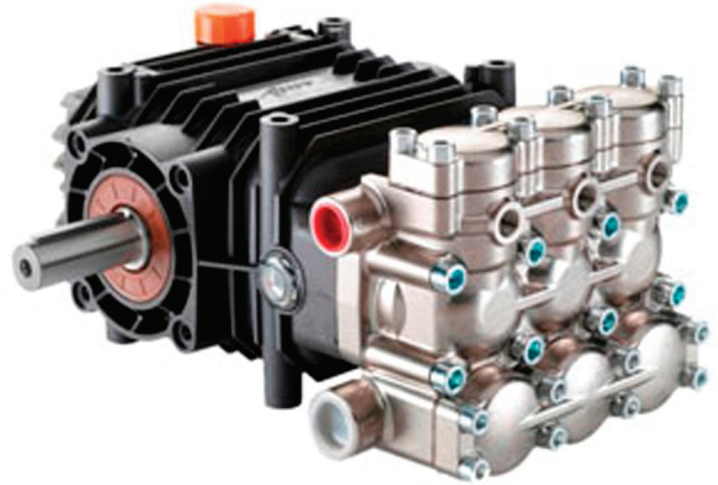


# CLW Series

## HPP Industrial Pumps



- Anodized Aluminum Crankcase
- Nickel Plated Brass Manifold
- Hardened Crankshaft
- Aluminum Connecting Rods
- Ceramic Plungers
- Polymide Valves
- V-Packing Seal Design-Buna N
- Stainless Steel Piston Guides
- Long Life Bearings
- 1" Inlet; 3/4" Outlet
- Oil Capacity 84 oz.
- Weight 73 lbs.



**5011.0276.00**

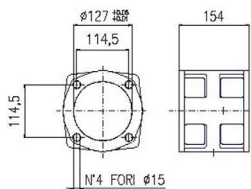
PART #	MODEL #	GPM	PSI	RPM	SHAFT	PISTON	HP	LIST PRICE
6915.0012.00	CLW 80/100	21.1	1450	1150	30	35	21	\$4920.00
6915.0011.00	CLW 100/100	26.5	1450	1450	30	35	26	\$4920.00
6915.0015.00	CLW 70/130	18.5	1885	1450	30	30	24	\$4920.00
6915.0014.00	CLW 66/140	17.4	2030	1000	30	35	25	\$4920.00
6915.0013.00	CLW 49/200	12.9	2900	1000	30	30	26	\$4920.00



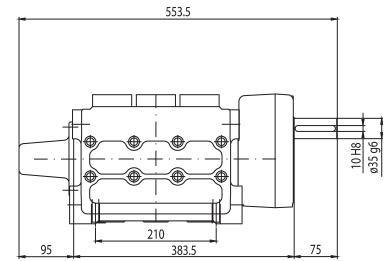
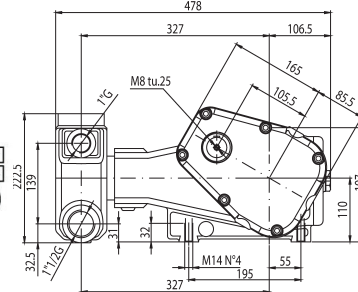
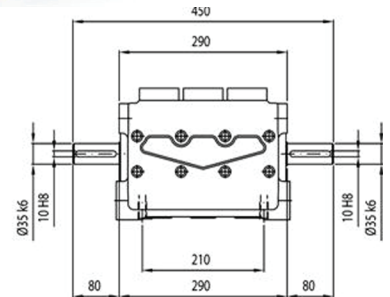
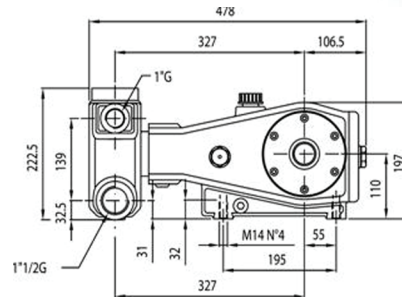
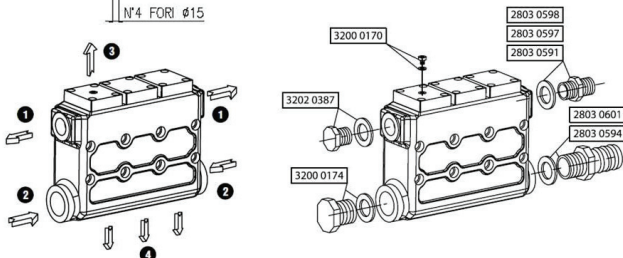
# EL/R Series

## HPP Industrial Pumps

- Cast Iron Crankcase
- Chemically Resistant Coated Cast Iron Manifold
- Hardened Crankshaft
- Cast Iron Connecting Rods
- Ceramic Plungers
- Stainless Steel Valves
- V-Packing Seal Design-Buna N
- Stainless Steel Piston Guides
- Long Life Bearings
- 1-1/2" Inlet; 1" Outlet
- Oil Capacity 135 oz.; 152 w/Gearbox
- Weight 194 lbs.; 231 w/Gearbox



**5011.0275.00**



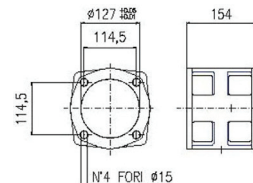
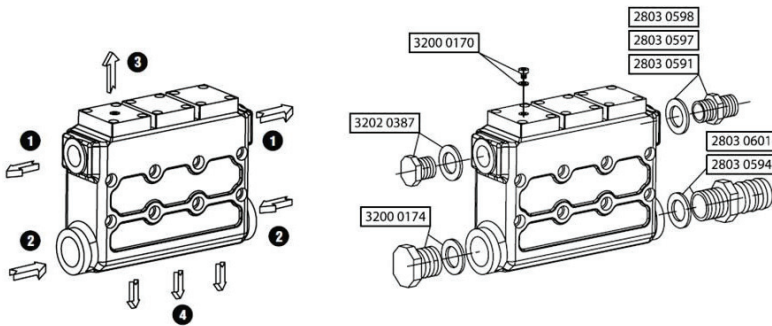
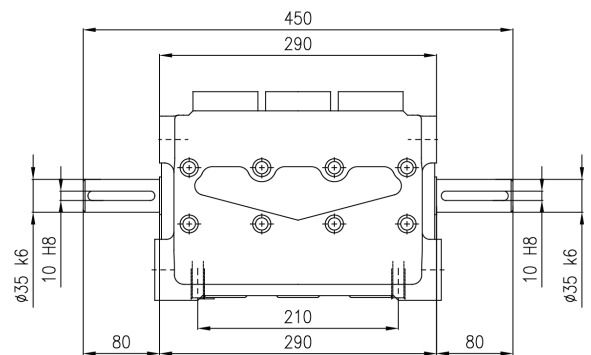
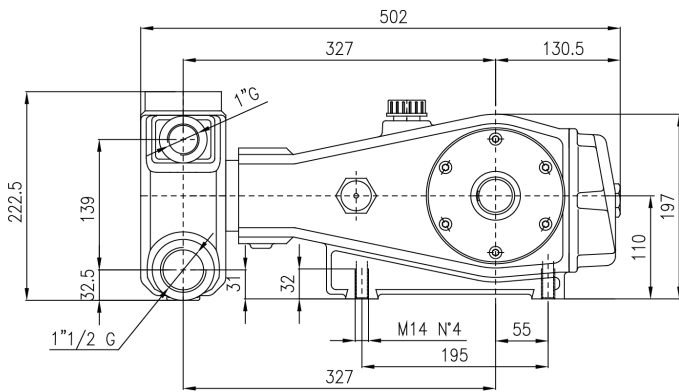
See Page 43 for Connection Kit Pricing

PART #	MODEL #	GPM	PSI	RPM	SHAFT	PISTON	HP	LIST PRICE
6905.0005.00	EL 164/90	43.3	1305	700	35	50	40	\$7495.00
6905.0004.00	EL 152/100	40.1	1450	800	35	45	40	\$7495.00
6905.0003.00	EL 128/120	33.8	1740	850	35	40	40	\$7495.00
6905.0002.00	EL 122/130	32.2	1885	1000	35	36	43	\$7495.00
6905.0001.00	EL 102/160	27.0	2320	1000	35	33	43	\$7495.00
6905.0006.00	EL 84/190	22.2	2755	1000	35	30	43	\$7495.00
PART #	MODEL #	GPM	PSI	RPM	SHAFT	PISTON	HP	LIST PRICE
6908.0005.00	ELR 164/90	43.3	1305	1050	35	50	40	\$9480.00
6908.0004.00	ELR 152/100	40.1	1450	1200	35	45	40	\$9480.00
6908.0003.00	ELR 128/120	33.8	1740	1275	35	40	40	\$9480.00
6908.0002.00	ELR 122/130	32.2	1885	1500	35	36	43	\$9480.00
6908.0001.00	ELR 102/160	27.0	2320	1500	35	33	43	\$9480.00
6908.0006.00	ELR 84/190	22.2	2755	1500	35	30	43	\$9480.00
5005.0254.00	Gearbox, 1500 RPM							\$2150.00
PART #	MODEL #	GPM	PSI	RPM	SHAFT	PISTON	HP	LIST PRICE
6908.0011.00	ELR 164/90	43.3	1305	1330	35	50	40	\$9480.00
6908.0010.00	ELR 152/100	40.1	1450	1520	35	45	40	\$9480.00
6908.0009.00	ELR 128/120	33.8	1740	1615	35	40	40	\$9480.00
6908.0008.00	ELR 122/130	32.2	1885	1900	35	36	43	\$9480.00
6908.0007.00	ELR 102/160	27.0	2320	1900	35	33	43	\$9480.00
6908.0012.00	ELR 84/190	22.2	2755	1900	35	30	43	\$9480.00
5005.0255.00	Gearbox, 1900 RPM							\$2425.00

# ELS Series

## HPP Industrial Pumps

- Cast Iron Crankcase
- Cast Iron Manifold
- Hardened Crankshaft
- Cast Iron Connecting Rods
- Ceramic Plungers
- Stainless Steel Valves
- V-Packing Seal Design-Buna N
- Stainless Steel Piston Guides
- Long Life Bearings
- 1-1/2" Inlet; 1" Outlet
- Oil Capacity 152 oz.
- Weight 194 lbs.



5011.0275.00

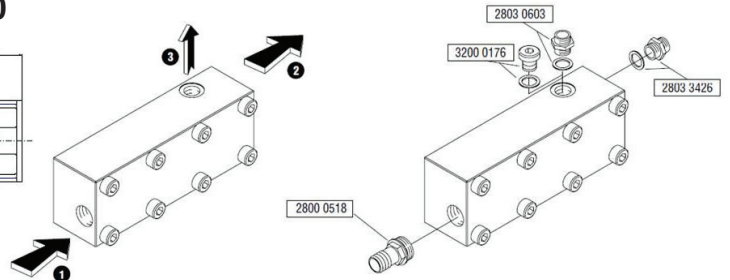
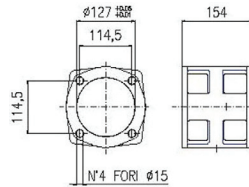
See Page 43 for Connection Kit Pricing

PART #	MODEL #	GPM	PSI	RPM	SHAFT	PISTON	HP	LIST PRICE
6905.0039.00	ELS 162/110	42.8	1595	850	35	45	48	\$8190.00
6905.0038.00	ELS 150/130	39.6	1885	1000	35	40	52	\$8190.00
6905.0037.00	ELS 135/140	35.6	2031	900	35	40	51	\$8190.00
6905.0036.00	ELS 122/160	32.2	2321	1000	35	36	52	\$8190.00
6905.0035.00	ELS 102/200	27.0	2901	1000	35	33	55	\$8190.00
6905.0034.00	ELS 84/210	22.2	3046	1000	35	30	48	\$8190.00

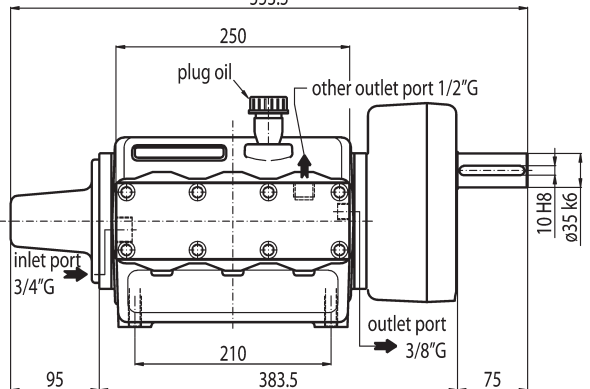
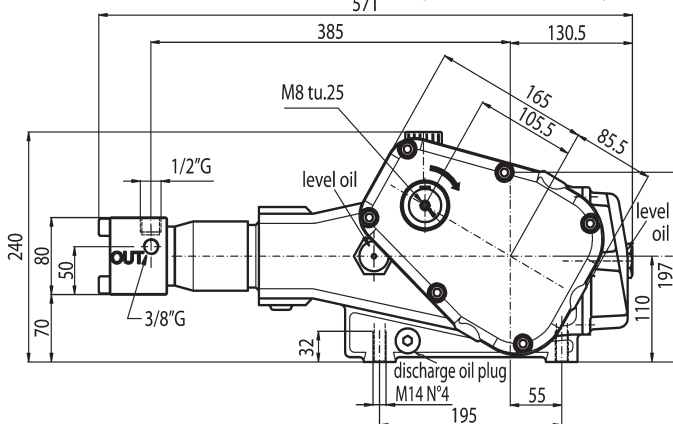
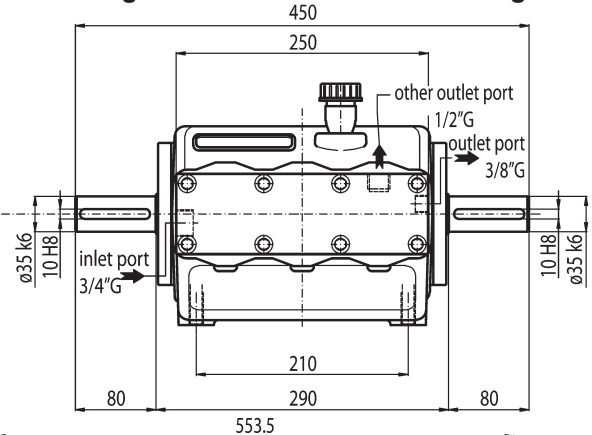
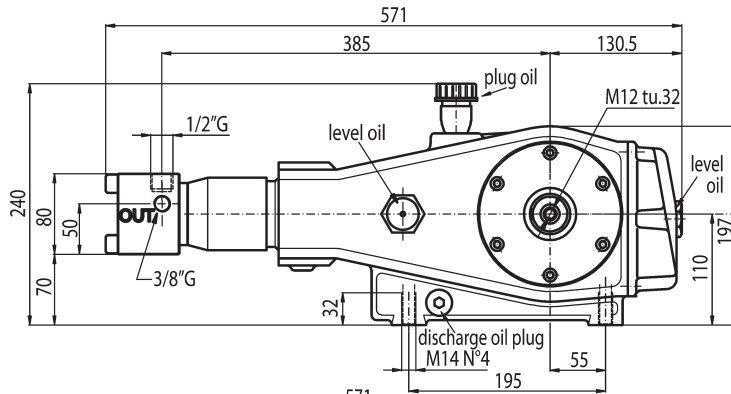
# ELH/R Series HPP Industrial Pumps

- Cast Iron Crankcase
- Stainless Steel Manifold
- Hardened Crankshaft
- Cast Iron Connecting Rods
- Ceramic Plungers
- Stainless Steel Valves
- V-Packing Seal Design-Buna N
- Stainless Steel Piston Guides
- Long Life Bearings
- 3/4" Inlet; 3/8" Outlet 38/500
- 1" Inlet; 59/310 & 70/280
- 3/8" Outlet
- Oil Capacity 142 oz.; 152 w/Gearbox
- Weight 150 lbs.; 187 w/Gearbox

5011.0275.00



See Page 43 for Connection Kit Pricing



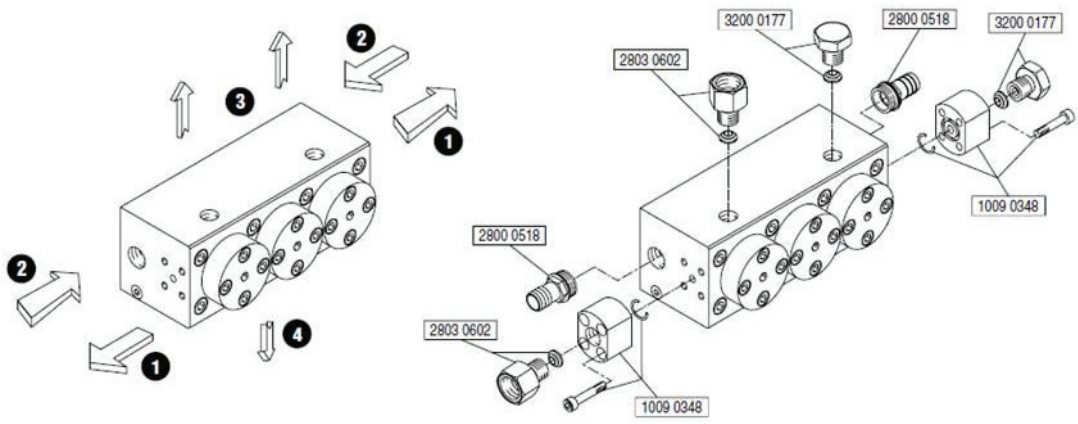
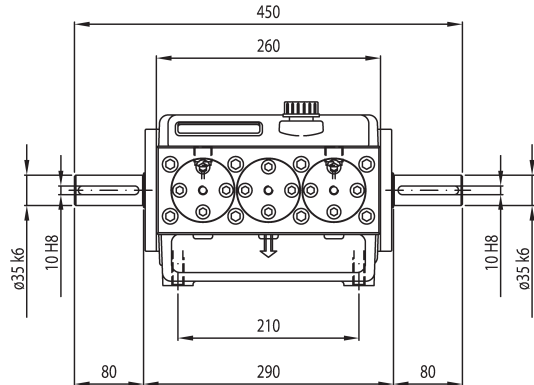
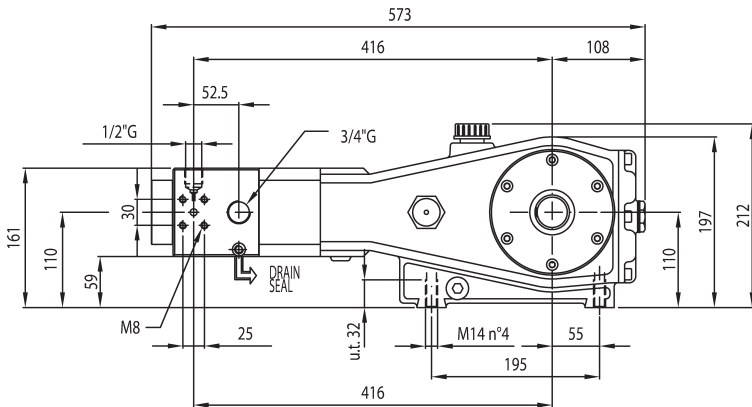
PART #	MODEL #	GPM	PSI	RPM	SHAFT	PISTON	HP	LIST PRICE
6917.0001.00	ELH 38/500	10	7250	1000	35	20	49	\$9880.00
6917.0004.00	ELH 59/310	15.6	4500	1000	35	20	49	\$9880.00
6917.0007.00	ELH 70/280	18	4000	1200	35	20	53	\$9880.00
6917.0002.00	ELHR 38/500	10	7250	1500	35	20	49	\$12,070.00
6917.0003.00	ELHR 38/500	10	7250	1900	35	20	49	\$12,070.00
6917.0005.00	ELHR 59/310	15.6	4500	1500	35	20	49	\$13,590.00
6917.0006.00	ELHR 59/310	15.6	4500	1900	35	20	49	\$13,590.00
5005.0254.00	Gearbox, 1500 RPM							\$2150.00
5005.0255.00	Gearbox, 1900 RPM							\$2425.00



# EV Series

## HPP Industrial Pumps

- Cast Iron Crankcase
- Stainless Steel Manifold
- Hardened Crankshaft
- Cast Iron Connecting Rods
- Ceramic Plungers
- Stainless Steel Valves
- V-Packing Seal Design-Buna N
- Stainless Steel Piston Guides
- Long Life Bearings
- 3/4" Inlet; 1/2" Outlet
- Oil Capacity 142 oz.
- Weight 198 lbs.



See Page 43 for Connection Kit Pricing

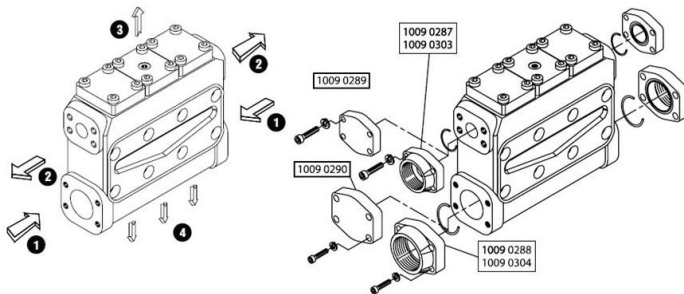
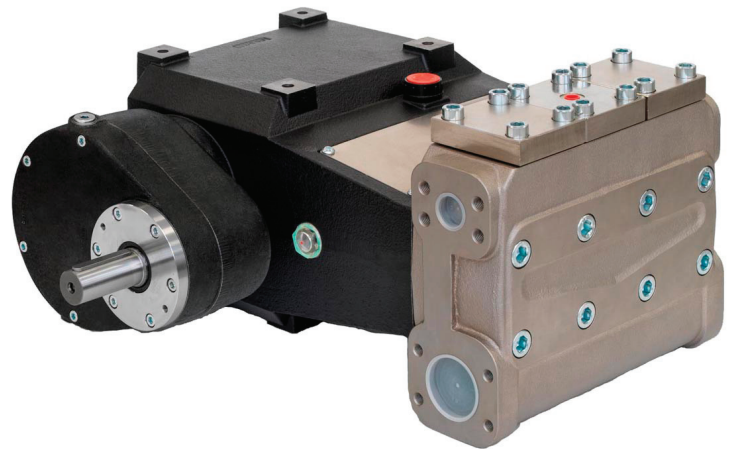
PART #	MODEL #	GPM	PSI	RPM	SHAFT	PISTON	HP	LIST PRICE
6912.0002.00	EV 19/800	4.9	11,600	900	35	15	40	\$19,155.00
6912.0001.00	EV 15/1000	3.9	14,500	730	35	15	40	\$19,155.00



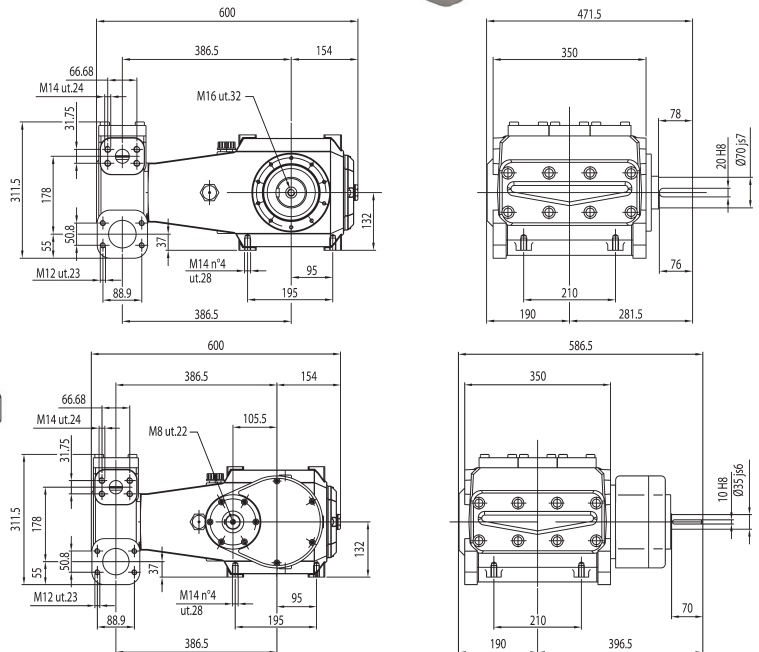


# GL/R Series HPP Industrial Pumps

- Cast Iron Crankcase
- Chemically Resistant Coated Cast Iron Manifold
- Hardened Crankshaft
- Cast Iron Connecting Rods
- Ceramic Plungers
- Stainless Steel Valves
- V-Packing Seal Design-Buna N
- Stainless Steel Piston Guides
- Long Life Bearings
- 2-1/2" Inlet; 1-1/4" Outlet
- 70mm Shaft
- Oil Capacity 338 oz.; 372 w/Gearbox
- Weight 330 lbs., 385 w/Gearbox



See Page 43 for Connection Kit Pricing

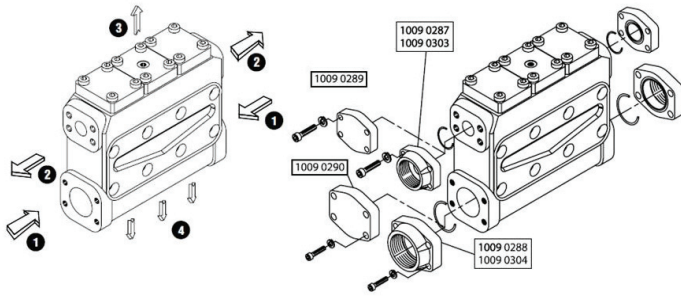
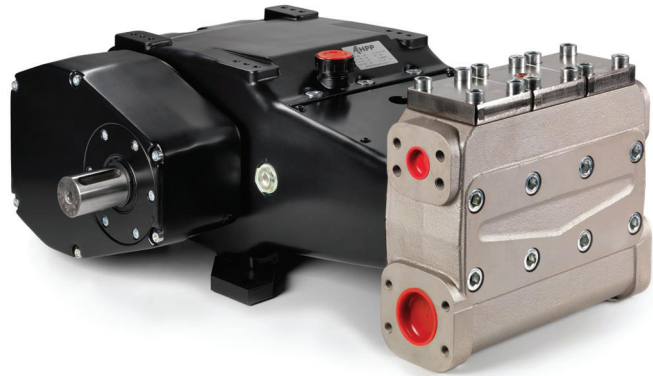


PART #	MODEL #	GPM	PSI	RPM	SHAFT	PISTON	HP	LIST PRICE	
6911.0006.00	GL 256/125	67.6	1813	750	70	55	85	\$13,510.00	
6911.0005.00	GL 212/150	56.1	2175	750	70	50	85	\$13,510.00	
6911.0004.00	GL 171/185	45.2	2683	750	70	45	85	\$13,510.00	
6911.0003.00	GL 135/235	35.7	3408	750	70	40	85	\$13,510.00	
6911.0002.00	GL 109/290	28.8	4205	750	70	36	84	\$13,510.00	
PART #	MODEL #	GPM	PSI	R=2.03	RPM	SHAFT	PISTON	HP	LIST PRICE
6911.0012.00	GLR 256/125	67.6	1813	1500	750	35	55	85	\$15,360.00
6911.0011.00	GLR 212/150	56.1	2175	1500	750	35	50	85	\$15,360.00
6911.0010.00	GLR 171/185	45.2	2683	1500	750	35	45	85	\$15,360.00
6911.0009.00	GLR 135/235	35.7	3408	1500	750	35	40	85	\$15,360.00
6911.0008.00	GLR 109/290	28.8	4205	1500	750	35	36	84	\$15,360.00
5005.0246.00	Gearbox, 1500 RPM								\$2355.00
PART #	MODEL #	GPM	PSI	R=2.41	RPM	SHAFT	PISTON	HP	LIST PRICE
6911.0018.00	GLR 256/125	67.6	1813	1800	750	35	55	85	\$15,360.00
6911.0017.00	GLR 212/150	56.1	2175	1800	750	35	50	85	\$15,360.00
6911.0016.00	GLR 171/185	45.2	2683	1800	750	35	45	85	\$15,360.00
6911.0015.00	GLR 135/235	35.7	3408	1800	750	35	40	85	\$15,360.00
6911.0014.00	GLR 109/290	28.8	4205	1800	750	35	36	84	\$15,360.00
5005.0247.00	Gearbox, 1800 RPM								\$2355.00

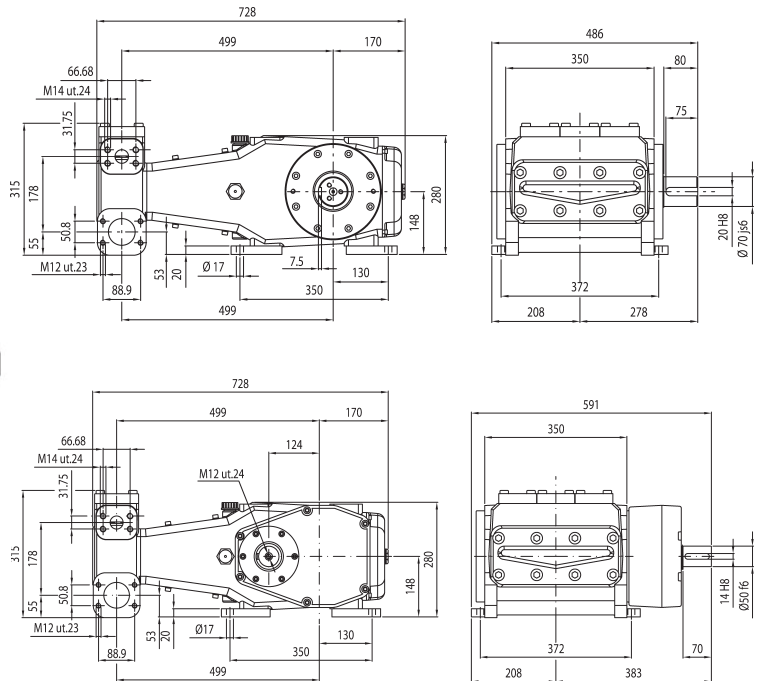
# SL/R Series

## HPP Industrial Pumps

- Cast Iron Crankcase
- Chemically Resistant Coated Cast Iron Manifold
- Hardened Crankshaft
- Cast Iron Connecting Rods
- Ceramic Plungers
- Stainless Steel Valves
- V-Packing Seal Design-Buna N
- Stainless Steel Piston Guides
- Long Life Bearings
- 2-1/2" Inlet; 1-1/4" Outlet
- Oil Capacity 304 oz.; 338 w/Gearbox
- Weight 517 lbs., 594 w/Gearbox



See Page 43 for Connection Kit Pricing

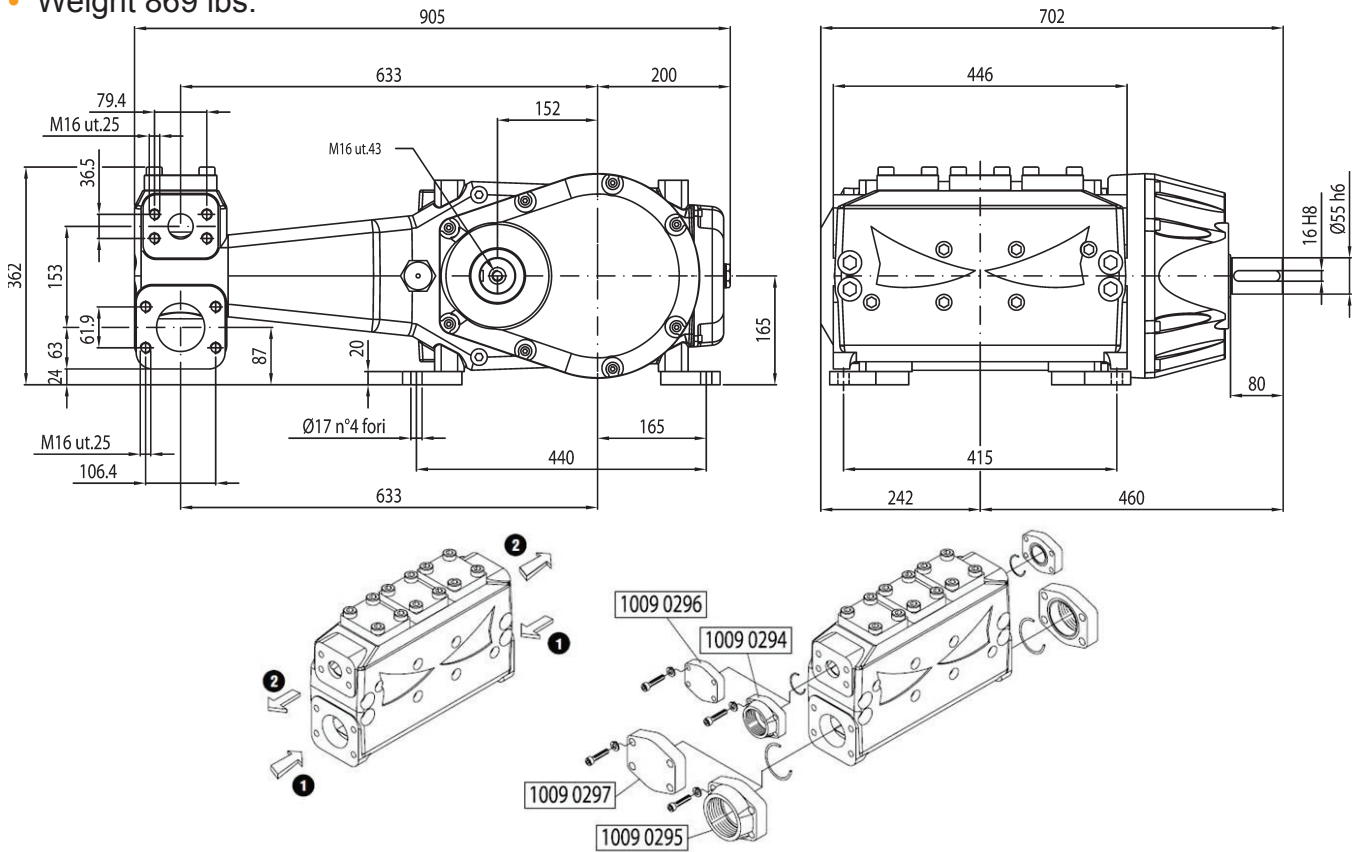


PART #	MODEL #	GPM	PSI	RPM	SHAFT	PISTON	HP	LIST PRICE	
6909.0005.00	SL 316/130	83.4	1885	750	70	55	110	\$17,365.00	
6909.0004.00	SL 263/160	70.0	2320	750	70	50	110	\$17,365.00	
6909.0003.00	SL 212/200	56.0	2900	750	70	45	110	\$17,365.00	
6909.0002.00	SL 167/250	44.1	3625	750	70	40	110	\$17,365.00	
6909.0001.00	SL 135/300	35.6	4350	750	70	36	110	\$17,365.00	
PART #	MODEL #	GPM	PSI	R=1.97	RPM	SHAFT	PISTON	HP	LIST PRICE
6909.0010.00	SLR 316/130	83.4	1885	1500	750	50	55	110	\$19,695.00
6909.0009.00	SLR 263/160	70.0	2320	1500	750	50	50	110	\$19,695.00
6909.0008.00	SLR 212/200	56.0	2900	1500	750	50	45	110	\$19,695.00
6909.0007.00	SLR 167/250	44.1	3625	1500	750	50	40	110	\$19,695.00
6909.0006.00	SLR 135/300	35.6	4350	1500	750	50	36	110	\$19,695.00
5005.0249.00	Gear Box, 1500 RPM								\$4360.00
PART #	MODEL #	GPM	PSI	R=2.43	RPM	SHAFT	PISTON	HP	LIST PRICE
6909.0015.00	SLR 316/130	83.4	1885	1800	750	50	55	110	\$19,695.00
6909.0014.00	SLR 263/160	70.0	2320	1800	750	50	50	110	\$19,695.00
6909.0013.00	SLR 212/200	56.0	2900	1800	750	50	45	110	\$19,695.00
6909.0012.00	SLR 167/250	44.1	3625	1800	750	50	40	110	\$19,695.00
6909.0011.00	SLR 135/300	35.6	4350	1800	750	50	36	110	\$19,695.00
5005.0250.00	Gear Box, 1800 RPM								\$4360.00

# MLR Series

## HPP Industrial Pumps

- Cast Iron Crankcase
- Chemically Resistant Coated Cast Iron Manifold
- Hardened Crankshaft
- Cast Iron Connecting Rods
- Ceramic Plungers
- Stainless Steel Valves
- V-Packing Seal Design-Buna N
- Stainless Steel Piston Guides
- Long Life Bearings
- 3" Inlet; 1-1/2" Outlet
- Oil Capacity 541 oz.
- Weight 869 lbs.



See Page 43 for Connection Kit Pricing

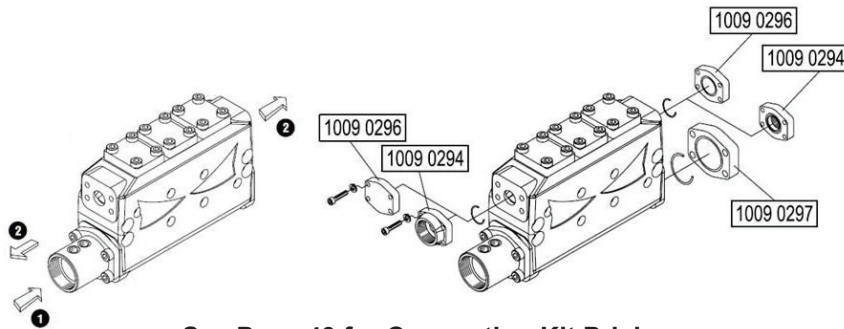
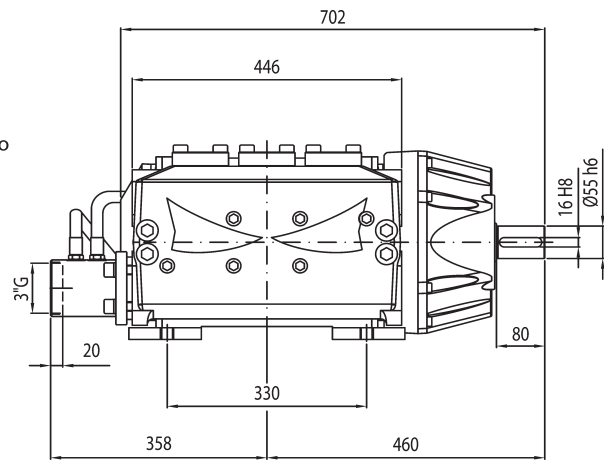
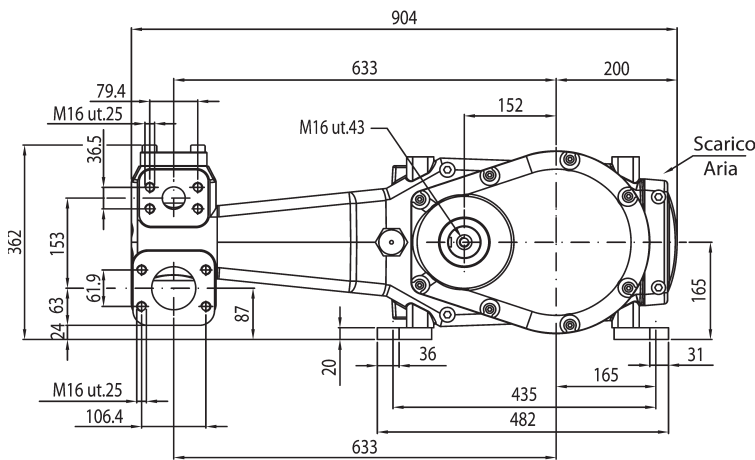
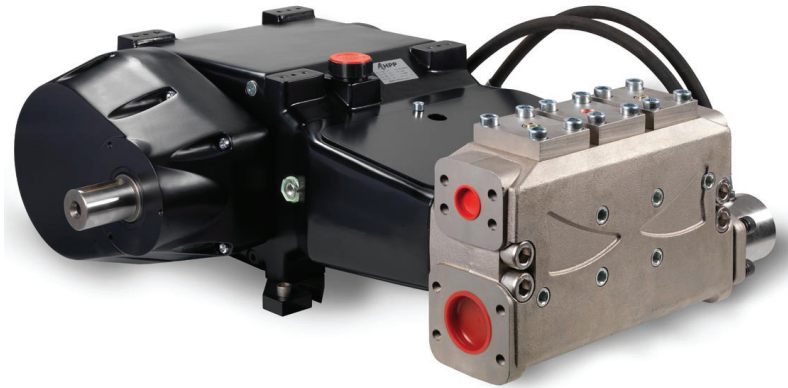
PART #	MODEL #	GPM	PSI	R=2.61	RPM	SHAFT	PISTON	HP	LIST PRICE
6913.0005.00	MLR 420/145	111.0	2102	1500	566	55	65	160	\$29,805.00
6913.0004.00	MLR 360/170	95.0	2465	1500	566	55	60	160	\$29,805.00
6913.0003.00	MLR 300/200	79.0	2900	1500	566	55	55	160	\$29,805.00
6913.0002.00	MLR 250/250	66.0	3625	1500	566	55	50	160	\$29,805.00
PART #	MODEL #	GPM	PSI	R=3.16	RPM	SHAFT	PISTON	HP	LIST PRICE
6913.0010.00	MLR 420/145	111.0	2102	1800	566	55	65	160	\$29,805.00
6913.0009.00	MLR 360/170	95.0	2465	1800	566	55	60	160	\$29,805.00
6913.0008.00	MLR 300/200	79.0	2900	1800	566	55	55	160	\$29,805.00
6913.0007.00	MLR 250/250	66.0	3625	1800	566	55	50	160	\$29,805.00



# RLR Series

## HPP Industrial Pumps

- Cast Iron Crankcase
- Chemically Resistant Coated Cast Iron Manifold
- Hardened Crankshaft
- Cast Iron Connecting Rods
- Ceramic Plungers
- Stainless Steel Valves
- V-Packing Seal Design-Buna N
- Stainless Steel Piston Guides
- Long Life Bearings
- 3" Inlet; 1-1/2" Outlet
- Oil Capacity 541 oz.
- Weight 891 lbs.



See Page 43 for Connection Kit Pricing

PART #	MODEL #	GPM	PSI	R=2.61	RPM	SHAFT	PISTON	HP	LIST PRICE
6914.0004.00	RLR 480/145	127.0	2102	1500	566	55	70	190	\$32,985.00
6914.0003.00	RLR 420/170	111.0	2465	1500	566	55	65	190	\$32,985.00
6914.0002.00	RLR 360/200	95.0	2900	1500	566	55	60	190	\$32,985.00
6914.0001.00	RLR 300/250	79.0	3625	1500	566	55	55	190	\$32,985.00
PART #	MODEL #	GPM	PSI	R=3.16	RPM	SHAFT	PISTON	HP	LIST PRICE
6914.0008.00	RLR 480/145	127.0	2102	1800	566	55	70	190	\$32,985.00
6914.0007.00	RLR 420/170	111.0	2465	1800	566	55	65	190	\$32,985.00
6914.0006.00	RLR 360/200	95.0	2900	1800	566	55	60	190	\$32,985.00
6914.0005.00	RLR 300/250	79.0	3625	1800	566	55	55	190	\$32,985.00



# Repair Kits-HPP Pumps

## CH Series

Part #	Description	List Price
5025.0042.00	Valve Kit	\$495.15
5019.0137.00	Valve Seal Kit	\$33.01
5019.0205.00	Water Seal Kit, Complete CH 25/500 & 18/500	\$850.00
5019.0206.00	Water Seal Kit, Complete CH 22/400 & 31/300	\$850.00
5019.0193.00	Water Seal Kit CH 25/500 & 18/500	\$134.79
5019.0194.00	Water Seal Kit CH 22/400 & 31/300	\$123.79
5019.0152.00	Oil Seal Kit	\$169.18
2409.0214.00	Pumping Group Kit CH 25/500 & 18/500	\$579.12
2409.0215.00	Pumping Group Kit CH 22/400 & 31/300	\$579.12
2409.0234.00	Piston Kit CH 25/500 & 18/500	\$284.83
2409.0235.00	Piston Kit CH 22/400 & 31/300	\$284.83

## CL Series

Part #	Description	List Price
5025.0043.00	Valve Kit	\$240.70
5019.0138.00	Valve Seal Kit	\$33.01
5019.0212.00	Water Seal Kit, Complete CL 49/200 & 70/130	\$347.47
5019.0127.00	Water Seal Kit, Complete CL 66/140	\$551.54
5019.0191.00	Water Seal Kit CL 49/200 & 70/130	\$240.70
5019.0192.00	Water Seal Kit CL 66/140	\$325.16
5019.0152.00	Oil Seal Kit	\$169.18
2409.0212.00	Pumping Group Kit CL 49/200 & 70/130	\$347.47
2409.0213.00	Pumping Group Kit CL 66/140	\$448.82
2409.0231.00	Piston Kit CL 49/200 & 70/130	\$802.89
2409.0232.00	Piston Kit CL 66/140	\$863.10

## EV Series

Part #	Description	List Price
5025.0045.00	Valve Kit	\$2404.22
5019.0207.00	Valve Seal Kit	\$112.78
5019.0204.00	Water Seal Kit, Complete	\$3999.70
5019.0209.00	Water Seal Kit	\$286.09
5019.0145.00	Oil Seal Kit	\$99.03
2409.0211.00	Pumping Group Kit	\$5130.29
2409.0243.00	Piston Kit	\$1373.88

## CLW Series

Part #	Description	List Price
5025.0055.00	Valve Kit	\$240.87
5019.0236.00	Valve Seal Kit	\$26.81
5019.0212.00	Water Seal Kit, Complete CLW 49/200 & 70/130	\$551.54
5019.0127.00	Water Seal Kit, Complete CLW 66/140, 80/100 & 100/100	\$551.54
5019.0191.00	Water Seal Kit CLW 49/200 & 70/130	\$240.70
5019.0192.00	Water Seal Kit CLW 66/140, 80/100 & 100/100	\$325.16
5019.0152.00	Oil Seal Kit	\$169.18
2409.0212.00	Pumping Group Kit CLW 49/200 & 70/130	\$347.47
2409.0213.00	Pumping Group Kit CLW 66/140, 80/100 & 100/100	\$448.82
2409.0231.00	Piston Kit CLW 49/200 & 70/130	\$802.89
2409.0232.00	Piston Kit CLW 66/140, 80/100 & 100/100	\$863.10

## ELH/R Series

Part #	Description	List Price
5025.0042.00	Valve Kit, 38/500	\$495.15
5025.0056.00	Valve Kit, 59/310 & 70/280	\$569.66
5019.0137.00	Valve Seal Kit	\$33.01
5019.0691.00	Water Seal Kit, Complete, 38/500	\$2244.67
5019.0195.00	Water Seal Kit, 38/500	\$118.29
5019.0237.00	Water Seal Kit, 59/310 & 70/280	\$130.69
5019.0145.00	Oil Seal Kit	\$99.03
2409.0197.00	Pumping Group Kit	\$1484.00
2409.0236.00	Piston Kit, 38/500	\$1625.20
2409.0254.00	Piston Kit, 59/310 & 70/280	\$1040.00



**EL/R Series**

Part #	Description	List Price
5025.0036.00	Valve Kit	\$1002.68
5019.0132.00	Valve Seal Kit	\$22.01
5019.0197.00	Water Seal Kit, Complete EL/R 84/190	\$665.70
5019.0198.00	Water Seal Kit, Complete EL/R 102/160	\$770.23
5019.0118.00	Water Seal Kit, Complete EL/R 122/130	\$711.09
5019.0119.00	Water Seal Kit, Complete EL/R 128/120	\$701.46
5019.0120.00	Water Seal Kit, Complete EL/R 152/100	\$687.71
5019.0199.00	Water Seal Kit, Complete EL/R 164/90	\$668.45
5019.0170.00	Water Seal Kit EL/R 84/190	\$107.28
5019.0171.00	Water Seal Kit EL/R 102/160	\$104.53
5019.0172.00	Water Seal Kit EL/R 122/130	\$104.53
5019.0173.00	Water Seal Kit EL/R 128/120	\$107.28
5019.0174.00	Water Seal Kit EL/R 152/100	\$118.29
5019.0175.00	Water Seal Kit EL/R 164/90	\$110.03
5019.0145.00	Oil Seal Kit	\$99.03
2409.0190.00	Pumping Group Kit EL/R 84/190	\$642.75
2409.0191.00	Pumping Group Kit EL/R 102/160	\$663.02
2409.0200.00	Pumping Group Kit EL/R 122/130	\$603.66
2409.0201.00	Pumping Group Kit EL/R 128/120	\$656.58
2409.0192.00	Pumping Group Kit EL/R 152/100	\$651.51
2409.0202.00	Pumping Group Kit EL/R 164/90	\$797.81
2409.0237.00	Piston Kit, 30mm EL/R 84/190	\$1164.19
2409.0238.00	Piston Kit, 33mm EL/R 102/160	\$1164.19
2409.0239.00	Piston Kit, 36mm EL/R 122/130	\$1164.19
2409.0240.00	Piston Kit, 40mm EL/R 128/120	\$1204.33
2409.0241.00	Piston Kit, 45mm EL/R 152/100	\$1284.62
2409.0242.00	Piston Kit, 50mm EL/R 164/90	\$1105.81

**ELS Series**

Part #	Description	List Price
5025.0053.00	Valve Kit	\$1469.28
5019.0132.00	Valve Seal Kit	\$22.01
5019.0197.00	Water Seal Kit, Complete ELS 84/210	\$665.70
5019.0198.00	Water Seal Kit, Complete ELS 102/200	\$770.23
5019.0118.00	Water Seal Kit, Complete ELS 122/160	\$711.09
5019.0119.00	Water Seal Kit, Complete ELS 135/140 & 150/130	\$701.46
5019.0120.00	Water Seal Kit, Complete ELS 152/110	\$687.71
5019.0170.00	Water Seal Kit ELS 84/210	\$107.28
5019.0171.00	Water Seal Kit ELS 102/200	\$104.53
5019.0172.00	Water Seal Kit ELS 122/160	\$104.53
5019.0173.00	Water Seal Kit ELS 135/140 & 150/130	\$107.28
5019.0174.00	Water Seal Kit ELS 162/110	\$118.29
5019.0145.00	Oil Seal Kit	\$99.03
2409.0190.00	Pumping Group Kit EL/R 84/210	\$642.75
2409.0191.00	Pumping Group Kit EL/R 102/200	\$663.02
2409.0200.00	Pumping Group Kit EL/R 122/160	\$603.66
2409.0201.00	Pumping Group Kit EL/R 135/140 & 150/130	\$656.58
2409.0192.00	Pumping Group Kit EL/R 162/110	\$651.51
2409.0237.00	Piston Kit, 30mm ELS 84/210	\$1164.19
2409.0238.00	Piston Kit, 33mm ELS 102/200	\$1164.19
2409.0239.00	Piston Kit, 36mm ELS 122/160	\$1164.19
2409.0240.00	Piston Kit, 40mm ELS 135/140 & 150/130	\$1204.33
2409.0241.00	Piston Kit, 45mm ELS 162/110	\$1284.62



GL/R Series			SL/R Series		
Part #	Description	List Price	Part #	Description	List Price
5025.0044.00	Valve Kit	\$1543.21	5025.0044.00	Valve Kit	\$1543.21
5019.0139.00	Valve Seal Kit	\$68.69	5019.0139.00	Valve Seal Kit	\$68.69
5019.0211.00	Water Seal Kit, Complete GL/R 109/290	\$1013.68	5019.0200.00	Water Seal Kit, Complete SL/R 135/300	\$2039.74
5019.0121.00	Water Seal Kit, Complete GL/R 135/235	\$1013.68	5019.0201.00	Water Seal Kit, Complete SL/R 167/250	\$2039.74
5019.0122.00	Water Seal Kit, Complete GL/R 171/185	\$1013.68	5019.0202.00	Water Seal Kit, Complete SL/R 212/200	\$2039.74
5019.0123.00	Water Seal Kit, Complete GL/R 212/150	\$1013.68	5019.0694.00	Water Seal Kit, Complete SL/R 263/160	\$2039.74
5019.0124.00	Water Seal Kit, Complete GL/R 256/125	\$1013.68	5019.0203.00	Water Seal Kit, Complete SL/R 316/130	\$2169.03
5019.0184.00	Water Seal Kit GL/R 109/290	\$115.53	5019.0177.00	Water Seal Kit SL/R 135/300	\$118.29
5019.0185.00	Water Seal Kit GL/R 135/235	\$118.29	5019.0178.00	Water Seal Kit SL/R 167/250	\$149.92
5019.0186.00	Water Seal Kit GL/R 171/185	\$126.54	5019.0179.00	Water Seal Kit SL/R 212/200	\$129.29
5019.0215.00	Water Seal Kit GL/R 212/150	\$121.04	5019.0180.00	Water Seal Kit SL/R 263/160	\$129.29
5019.0187.00	Water Seal Kit GL/R 256/125	\$149.92	5019.0181.00	Water Seal Kit SL/R 316/130	\$149.92
5019.0149.00	Oil Seal Kit, GL	\$147.17	5019.0147.00	Oil Seal Kit, SL	\$48.14
5019.0150.00	Oil Seal Kit, GLR	\$147.17	5019.0146.00	Oil Seal Kit, SLR	\$59.14
2409.0217.00	Pumping Group Kit GL/R 109/290	\$904.15	2409.0207.00	Pumping Group Kit SL/R 135/300	\$1109.02
2409.0218.00	Pumping Group Kit GL/R 135/235	\$1016.65	2409.0208.00	Pumping Group Kit SL/R 167/250	\$1199.07
2409.0219.00	Pumping Group Kit GL/R 171/185	\$923.48	2409.0193.00	Pumping Group Kit SL/R 212/200	\$1144.49
2409.0220.00	Pumping Group Kit GL/R 212/150	\$937.89	2409.0209.00	Pumping Group Kit SL/R 263/160	\$1206.16
2409.0221.00	Pumping Group Kit GL/R 256/125	\$1060.52	2409.0210.00	Pumping Group Kit SL/R 316/130	\$1224.55
2409.0244.00	Piston Kit GL/R 109/290	\$971.77	2409.0249.00	Piston Kit SL/R 135/300	\$1708.97
2409.0245.00	Piston Kit GL/R 135/235	\$1005.28	2409.0250.00	Piston Kit SL/R 167/250	\$1775.99
2409.0246.00	Piston Kit GL/R 171/185	\$1072.30	2409.0251.00	Piston Kit SL/R 212/200	\$1675.46
2409.0247.00	Piston Kit GL/R 212/150	\$1105.81	2409.0252.00	Piston Kit SL/R 263/160	\$1775.99
2409.0248.00	Piston Kit GL/R 256/125	\$1574.94	2409.0253.00	Piston Kit SL/R 316/130	\$1876.52



**MLR Series**

Part #	Description	List Price
5025.0041.00	Valve Kit	\$34.40
5019.0136.00	Valve Seal Kit	\$34.40
5019.0213.00	Water Seal Kit, Complete MLR 250/250	\$103.21
5019.0214.00	Water Seal Kit, Complete MLR 300/200	\$103.21
5019.0125.00	Water Seal Kit, Complete MLR 360/170	\$103.21
5019.0126.00	Water Seal Kit, Complete MLR 420/145	\$103.21
5019.0188.00	Water Seal Kit MLR 250/250	\$103.21
5019.0189.00	Water Seal Kit MLR 300/200	\$103.21
5019.0190.00	Water Seal Kit MLR 360/170	\$103.21
5019.0210.00	Water Seal Kit MLR 420/145	\$103.21
5019.0151.00	Oil Seal Kit, MLR	\$93.83
2409.0199.00	Pumping Group Kit MLR 250/250	\$103.21
2409.0222.00	Pumping Group Kit MLR 300/200	\$103.21
2409.0223.00	Pumping Group Kit MLR 360/170	\$103.21
2409.0224.00	Pumping Group Kit MLR 420/145	\$103.21
2409.0255.00	Piston Kit MLR 250/250	\$5864.13
2409.0256.00	Piston Kit MLR 300/200	\$6299.75
2409.0257.00	Piston Kit MLR 360/170	\$5696.58
2409.0258.00	Piston Kit MLR 420/145	\$5361.49

**RLR Series**

Part #	Description	List Price
5025.0041.00	Valve Kit	\$34.40
5019.0136.00	Valve Seal Kit	\$34.40
5019.0214.00	Water Seal Kit, Complete RLR 300/250	\$103.21
5019.0125.00	Water Seal Kit, Complete RLR 360/200	\$103.21
5019.0126.00	Water Seal Kit, Complete RLR 420/170	\$103.21
5019.0216.00	Water Seal Kit, Complete RLR 480/145	\$103.21
5019.0189.00	Water Seal Kit RLR 300/250	\$103.21
5019.0190.00	Water Seal Kit RLR 360/200	\$103.21
5019.0210.00	Water Seal Kit RLR 420/170	\$103.21
5019.0217.00	Water Seal Kit RLR 480/145	\$103.21
5019.0151.00	Oil Seal Kit	\$93.83
2409.0222.00	Pumping Group Kit RLR 300/250	\$103.21
2409.0223.00	Pumping Group Kit RLR 360/200	\$103.21
2409.0224.00	Pumping Group Kit RLR 420/170	\$103.21
2409.0225.00	Pumping Group Kit RLR 480/145	\$103.21
2409.0256.00	Piston Kit RLR 300/250	\$6299.75
2409.0257.00	Piston Kit RLR 360/200	\$5696.58
2409.0258.00	Piston Kit RLR 420/170	\$5361.49
2409.0259.00	Piston Kit RLR 480/145	\$5696.58



# Connection Kits-HPP Pumps

## CH & ELH/R Series

Part #	Description	List Price
2800.0518.00	Inlet, 3/4" G	\$34.91
2803.0603.00	Service 1/2" G (ELH/R)	\$104.74
2803.3426.00	Outlet 3/8" G	\$95.22
3200.0176.00	Outlet (CH)/Service (ELH/R) 1/2" G	\$85.72

## CL Series

Part #	Description	List Price
2803.0588.00	Outlet 3/4" G	\$28.57
2803.0590.00	Inlet 1" G-90°	\$7.21
2803.0591.00	Inlet 1" G	\$47.61
2803.0595.00	Outlet 3/4"-1/2" G	\$31.74
3200.0170.00	Service 1/4" G	\$13.72

## ELS & EL/R Series

Part #	Description	List Price
3200.0170.00	Service 1/4" G	\$13.72
2803.0591.00	Outlet 1" G	\$47.61
2803.0594.00	Inlet 1-3/4" G-90°	\$199.96
2803.0597.00	Outlet 1-1/2" G	\$50.78
2803.0598.00	Outlet 1" G-1/2" G	\$60.31
2803.0601.00	Inlet 1-1/2" G	\$130.14
3202.0387.00	Outlet 1" G	\$31.74
3200.0174.00	Inlet 1-1/2" G	\$92.58

## EV Series

Part #	Description	List Price
2800.0518.00	Inlet, 3/4" G	\$34.91
1009.0348.00	Outlet 1/2" G	\$929.93
2803.0602.00	Outlet 1/2" G	\$435.22
3200.0177.00	Outlet 3/8" G	\$470.16

## GL/R & SL/R Series

Part #	Description	List Price
1009.0287.00	Outlet 1-1/4" G	\$310.68
1009.0303.00	Outlet 1-1/4" NPT	\$342.23
1009.0288.00	Inlet 2-1/2" G	\$327.67
1009.0304.00	Inlet 2-1/2" NPT	\$359.23
1009.0289.00	Outlet, Closed	\$223.30
1009.0290.00	Inlet, Closed	\$174.76

## MLR & RLR Series

Part #	Description	List Price
1009.0294.00	Outlet 1-1/2" G	\$381.07
1009.0295.00	Inlet 3" G (MLR only)	\$432.04
1009.0296.00	Outlet, Closed	\$281.55
1009.0297.00	Inlet, Closed	\$259.71

# HPP Accessories

## FILTERS



FA 03



FP 01



FP 02



FA 01 & 02



FP 05



FP 06

Part #	Model	GPM	PSI	Mat'l	Couplg	List Price
1002.0207.00	FA 03	7.9	145	SS	1"	\$2209.16
1002.0201.00	FP 01	18.5	174	Plastic	1"	\$136.40
1002.0202.00	FP 02	29	174	Plastic	1-1/4"	\$219.31
1002.0205.00	FA 01	40	435	Alum.	1-1/2"	\$1069.81
1002.0208.00	FP 05	53	116	Plastic	2"	\$328.97
1002.0206.00	FA 02	69	145	Alum.	3"	\$2674.52
1002.0209.00	FP 06	106	116	Plastic	3"	\$577.70

## FITTINGS-Sockets



10,000+ PSI



7500 PSI



## PLUGS

Part #	Description	List Price
7600.0302.00	w/Poppet valve, 1/4" FPT, Zinc 15,950 PSI	\$107.31
7600.0304.00	w/Poppet valve, 3/8" FPT, Zinc 10,875 PSI	\$124.32
7600.0306.00	w/Ball valve, 3/8" FPT, Zinc 10,875 PSI	\$58.10
7600.0309.00	1/4" MPT, Stainless Steel 7500 PSI	\$60.20
7600.0310.00	1/4" FPT, Stainless Steel 7500 PSI	\$63.34

## SOCKETS

Part #	Description	List Price
7600.0301.00	w/Poppet valve, 1/4" FPT, Zinc 15,950 PSI	\$175.36
7600.0303.00	w/Poppet valve, 3/8" FPT, Zinc 10,875 PSI	\$161.75
7600.0305.00	w/Ball valve, 3/8" FPT, Zinc 10,875 PSI	\$107.31
7600.0307.00	1/4" MPT, Stainless Steel 7500 PSI	\$227.70
7600.0308.00	1/4" FPT, Stainless Steel 7500 PSI	\$206.77

## GAUGES



Comet Logo    Model 40    MA 05    Model 58    MA 08

- 1/4" Connection Models: Comet, 40 & MA 05
- 1/2" Connection Models: 58 & MA 08
- Glycerin Filled

Part #	Description	List Price
8106.0614.00*	Model 41, 2.5" Dia., 4000 PSI	\$25.12
8106.0627.00	Model 41, 2.5" Dia., 5000 PSI	\$27.20
8106.0615.00*	Model 41, 2.5" Dia., 6000 PSI	\$25.12
8106.0620.00	Model 40, 2.5" Dia., 10,000 PSI	\$35.03
1816.0144.00	MA 05, 2.5" Dia., 14500 PSI	\$230.01
8106.0621.00	Model 40, 4" Dia., 10,000 PSI	\$82.98
8106.0625.00	Model 58, 4" Dia., 15,000 PSI	\$166.09
1816.0147.00	MA 08, 4" Dia., 23200 PSI	\$481.41

\*Comet Logo Gauge

## GUN/LANCE Assemblies



LC 01-04

LC 06

Lance Extension

- 1/2" Inlet x 1/4" Outlet

Part #	Model	GPM	PSI	Ext.	List Price
3301.1188.00	LC 01	53	3200	16"	\$721.70
3301.1189.00	LC 02	53	3200	31.5"	\$824.32
3301.1190.00	LC 03	21	8100	16"	\$721.70
3301.1191.00	LC 04	21	8100	31.5"	\$824.32
3301.1192.00	LC 06	21	17,000	43.5"	\$4584.13
8116.1608.10	Extension	53	8100	16"	\$234.04
8116.1603.10	Extension	53	8100	31.5"	\$347.00
8116.1608.20	Extension	53	8100	50"	\$615.74

## NOZZLES-Meg

- 7250 PSI
- 1/4" MPT



0°

15°

40°

Part #	Description	Orifice	Degree	List Price
8116.1038.40	Nozzle, Meg	038	40	\$650.76
8116.1040.00	Nozzle, Meg	040	0	\$151.84
8116.1040.15	Nozzle, Meg	040	15	\$584.99
8116.1049.40	Nozzle, Meg	049	40	\$650.76
8116.1050.00	Nozzle, Meg	050	0	\$151.84
8116.1050.15	Nozzle, Meg	050	15	\$67.79
8116.1055.00	Nozzle, Meg	055	0	\$554.15
8116.1055.15	Nozzle, Meg	055	15	\$584.99
8116.1055.40	Nozzle, Meg	055	40	\$650.76

\*See Nozzle Formulas on Page 81 for Sizing

## PULSATION DAMPENERS



AP 01    AP 02    AP 03    AP 04    AP 05    AP 06

Part #	Model	GPM	PSI	Pump	List Price
0102.0034.00	AP 01	.092	3045	CL	\$401.18
0102.0035.00	AP 02	.184	3045	EL	\$481.41
0102.0036.00	AP 03	.211	4350	GL-SL	\$668.63
0102.0037.00	AP 04	.264	3045	GL-SL	\$534.90
0102.0038.00	AP 05	.369	3045	GL-SL-MLR-RLR	\$802.36
0102.0039.00	AP 06	.369	4350	GL-SL-MLR-RLR	\$1123.30

## VALVE-Foot



VP-01

Part #	GPM	PSI	Temp	In/Outlet	List Price
0608.0056.00	16	14500	194° F	1/2"	\$4683.09

## VALVES-Non-Return



VRN-01

- 48 GPM
- 195° F
- 3/4" F Couplings



VRN-02

Part #	Description	List Price
0608.0051.00	VRN-01, 2200 PSI, Brass	\$73.14
0608.0052.00	VRN-02, 5800 PSI, Stainless	\$118.11

## VALVES-Pneumatic



VRPP 170



RP PN 03/2



RP PN 03



VRPP 200-280



RP PN 05



VRPP 450-200



RP PN 05/2

Part #	Model	GPM	PSI	Pump	Inlet	Outlet	By-Pass	Temp	RAP	CAF	List Price
1215.0492.00	VRPP 170	53	2450	CL-EL	1" F	1" F	1" F	195°	87 PSI	1/4" F	\$1648.70
1215.0497.00	RP PN 03/2	53	3335	CL-EL	1" F	1" F	1" F	194°	94 PSI	1/4" F	\$3744.33
1215.0493.00	RP PN 03	53	7975	CH-ELH	1" F	1" F	1" F	194°	97 PSI	1/4" F	\$4011.79
8116.2701.00	VRPP 200-280	53	4500	CL-EL	1" F	1" F	1" F	196°	87 PSI	1/4" F	\$2364.43
1215.0514.00	RP PN 05	84	5075	GL-SL-MLR-RLR	1-1/2" F	1-1/2" F	1-1/2" F	194°	116 PSI	1/4" F	\$5616.50
8116.2703.00	VRPP 450-200	120	3200	MLR-RLR	2 x 1-1/4" F	N/A	1-1/4" F	196°	87 PSI	1/4" F	\$3524.96
1215.0502.00	RP PN 05/2	127	2900	MLR-RLR	1-1/2" F	1-1/2" F	1-1/2" F	194°	116 PSI	1/4" F	\$5616.50

RAP=Required Air Pressure  
CAF=Compressed Air Fitting

## VALVES-Relief



RP 01



VRP 175



RP 05



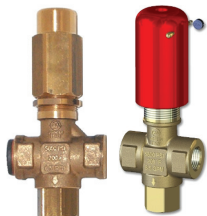
RP 06



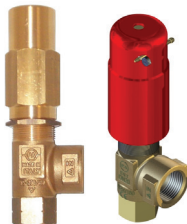
VRP 43

Part #	Model	GPM	PSI	Pump	Inlet	Outlet	By-Pass	Temp	List Price
1215.0503.00	RP 01	21.1	4350	CL	1/2" F	1/2" F	1/2" F	195°	\$411.88
1215.0505.00	VRP 175	53	2450	EL	2 x 1" F	N/A	1" F	195°	\$609.88
1215.0508.00	RP 05	7.9	29,000	EV	9/16" F	9/16" F	9/16" F	195°	\$3856.66
1215.0509.00	RP 06	16	15,950	EV	1/2" F	1/2" F	N/A	140°	\$2064.73
1215.0510.00	VRP 43	21.0	6400	CL-EL	1/2" F	1/2" F	1/2" F	195°	\$961.50

## VALVES-Safety



VS 02



VS 03



VS 04



VS 450-200/300



VS 06

Part #	Model	GPM	PSI	Pump	Inlet	By-Pass	Temp	List Price
1219.2038.00	VS 02	6.5	5650	CL-CH	2 x 3/8" F	3/8" F	195°	\$102.77
8116.2528.00*	VS 02	6.5	5650	CL-CH	2 x 3/8" F	3/8" F	195°	\$163.54
1219.2040.00	VS 03	53	2900	EL	3/4" F	1/2" F	195°	\$271.58
8116.2529.00*	VS 03	53	2900	EL	3/4" F	1/2" F	195°	\$321.35
8116.0650.00	VS 04	21	8100	CH-EL-ELH	1/2" F	3/8" F	195°	\$585.00
8116.2530.00*	VS 04	21	8100	CH-EL-ELH	1/2" F	3/8" F	195°	\$760.46
8116.2537.00	VS 450-200	120	3200	GL-SL-MLR-RLR	1-1/4" F	1-1/4" F	195°	\$1693.37
8116.2538.00	VS 450-300	120	4800	GL-SL-MLR-RLR	1-1/4" F	1-1/4" F	195°	\$1939.66
1219.2046.00	VS 06/750	5.3	10,875	EV	1/2" F	N/A	140°	\$1928.33
1219.2047.00	VS 06/1000	5.3	14,500	EV	1/2" F	N/A	140°	\$1928.33
1219.2048.00	VS 06/1250	5.3	18,125	EV	1/2" F	N/A	140°	\$1928.33

\*Unloader with Safety Cap



## VALVES-Unloader


**VB 85/280**

**VB 200/150**

**VB 16**

**VB 450/200 & 300**

**VB 43 & 53**

**BPL 01**

Part #	Model	GPM	PSI	Pump	Inlet	Outlet	By-Pass	Temp	List Price
8116.2534.00	VB 85/280	21	4500	CL	1/2" F	1/2" F	1/2" F	195°	\$276.57
1215.0484.00	VB 200/150	53	2450	EL	1" F	1" F	1" F	195°	\$688.74
8116.2522.00	VB 16	21	8100	EL-ELH	1/2" F	1/2" F	1/2" F	195°	\$2421.00
1215.0487.00	VB 450/200	120	3200	GL-SL	1-1/4" F	1-1/4" F	1-1/2" F	195°	\$2272.18
1215.0488.00	VB 450/300	120	4800	GL-SL-MLR-RLR	1-1/4" F	1-1/4" F	1-1/2" F	195°	\$2410.72
1215.0489.00	VB 43	21	6400	CH-EL	1/2" F	1/2" F	1/2" F	195°	\$975.38
1215.0490.00	VB 53	21	8000	CH	1/2" F	1/2" F	1/2" F	195°	\$1025.30
1215.0512.00	BPL 01	53	2450	EL	1-1/4" F	1-1/4" F	1-1/4" F	195°	\$1513.78

## Accessories

### ANTI-FREEZE-Pump Saver



- Protects Pump from Freezing in Winter
- Attaches to any Pump Inlet to Fill Pump Chamber

Part #	Description	List Price
8102.5000.00	Pump Saver, 16 oz.	\$21.59

### BRUSH-Rotating



- 580 PSI
- 140° F Max
- 3.0mm Nozzle



Part #	Description	List Price
8108.9152.00	Nylon Bristles, 1/4" M Inlet MV #0201000001	\$73.91
8108.8300.00	Horse Hair Bristles, 1/4" M Inlet MV #0201000011	\$84.37
8108.3303.00	Nylon Bristles w/Joint, 1/4" F Inlet MV #0201000002	\$73.60
8108.3304.00	Horse Hair Bristles w/Joint, 1/4" F Inlet MV #0201000012	\$95.99

### BURNER RINGS



- Cast Iron for Long Life
- High-Flow Design
- Industry Standard Sizes
- New & Improved Casting Design

### BURNER RINGS-Continued...

Part #	Description	List Price
8102.0122.00	44-50 Burner Ring, 50-Orifice	\$338.00
8102.0123.00	44-51 Burner Ring, 51-Orifice	\$338.00
8102.0124.00	44-52 Burner Ring, 52-Orifice	\$338.00
8102.0125.00*	44-53 Burner Ring, 53-Orifice	\$338.00
8102.0126.00	44-54 Burner Ring, 54-Orifice	\$338.00
8102.0127.00*	44-55 Burner Ring, 55-Orifice	\$338.00
8102.0128.00*	44-56 Burner Ring, 56-Orifice	\$338.00
8102.0129.00*	44-57 Burner Ring, 57-Orifice	\$338.00
8102.0130.00*	44-58 Burner Ring, 58-Orifice	\$338.00
8102.0131.00*	44-59 Burner Ring, 59-Orifice	\$338.00
8102.0132.00	44-60 Burner Ring, 60-Orifice	\$338.00
8102.0133.00*	44-61 Burner Ring, 61-Orifice	\$338.00
8102.0134.00	44-62 Burner Ring, 62-Orifice	\$338.00
8102.0135.00	44-63 Burner Ring, 63-Orifice	\$338.00
8102.0136.00	44-64 Burner Ring, 64-Orifice	\$338.00
8102.0137.00	44-65 Burner Ring, 65-Orifice	\$338.00
8102.0138.00	44-66 Burner Ring, 66-Orifice	\$338.00
8102.0139.00	44-67 Burner Ring, 67-Orifice	\$338.00
8102.0140.00	44-68 Burner Ring, 68-Orifice	\$338.00
8102.0141.00	44-69 Burner Ring, 69-Orifice	\$338.00

#### \*Non-stocked sizes

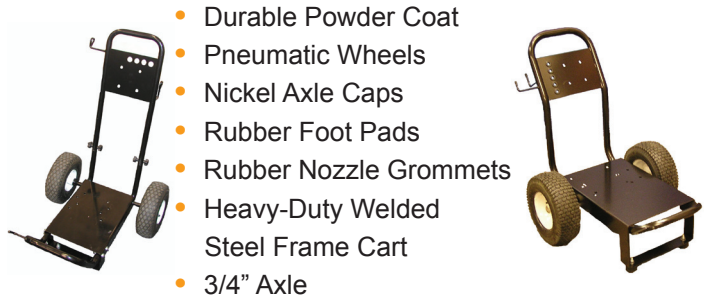
8102.0120.00	32-69 Burner Ring, 69-Orifice	\$236.00
8102.0182.00	66-62 Burner Ring, 62-Orifice	\$533.00
8102.0189.00	66-69 Burner Ring, 69-Orifice	\$533.00
8102.0162.00	88-69 Burner Ring, 69-Orifice	\$704.00

#### 32, 66 & 88-Other nozzle sizes available upon request

8102.0100.00	Replacement Nozzle	\$3.17
--------------	--------------------	--------



## CARTS-Pressure Washer



- Durable Powder Coat
- Pneumatic Wheels
- Nickel Axle Caps
- Rubber Foot Pads
- Rubber Nozzle Grommets
- Heavy-Duty Welded Steel Frame Cart
- 3/4" Axle

Part #	Description	List Price
8402.0201.00	Cart, 10" Wheels Up to 6.5 HP Gas Engine or 56C Electric Motor Base Dimensions: 14.5" x 14.5"	\$230.46
8402.0202.00	Cart, 13" Wheels 11-20 HP Gas Engine or 182-184T Electric Motor Base Dimensions: 14" x 21"	\$280.00

## CARTS-Components

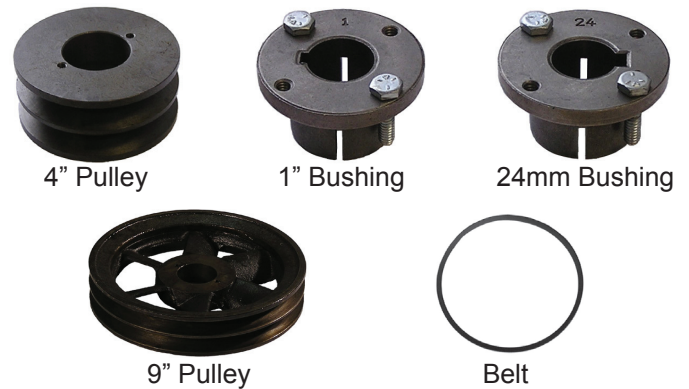


Part #	Description	Style	List Price
8102.0202.01	Knuckle & Bolt for cart 8102.0202.60	E	\$3.80
8402.0264.00	Knuckle & Bolt for cart 8402.0201.00	F	\$7.57
8102.0260.00	Grommet, Spray Tip Holder	C	\$.55
8102.0261.00	Rubber Foot w/Hardware (for Carts 8102.0201.00, 8102.0202.60 & 8102.0203.00)	A	\$2.96
8402.0260.00	Rubber Foot (for Carts 8402.0201.00 & 8402.0202.00)	D	\$5.30
8102.0263.00	Nickel Plated Axle Cap, 5/8"	B	\$1.25
8102.0264.00	Nickel Plated Axle Cap, 3/4"	B	\$1.25



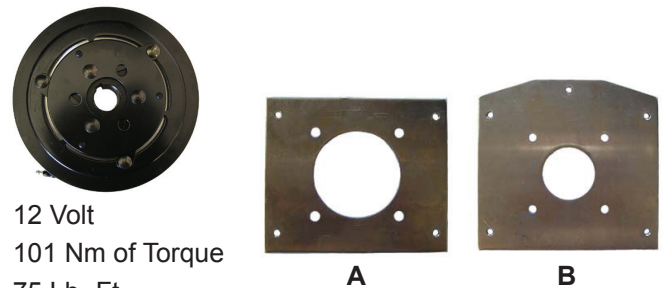
Part #	Description	Style	List Price
8402.0252.00	10" Pneumatic Wheel w/ 3/4" Industrial Duty Nylon Bearing	A	\$24.27
8402.0257.00	10" Pneumatic Wheel w/ 5/8" Industrial Duty Nylon Bearing	A	\$23.69
8402.0253.00	13" Pneumatic Wheel w/ 3/4" Industrial Duty Nylon Bearing	B	\$38.84
8402.0258.00	10" Foam Filled Tire, 3/4" Axle	C	\$41.85
8402.0259.00	10" Foam Filled Tire, 5/8" Axle	C	\$41.85

## CARTS-Components Continued...



Part #	Description	List Price
8102.0270.00	4" Pulley	\$30.15
7600.0271.00	24mm Bushing	\$21.87
8102.0272.00	1" Bushing	\$15.42
7600.0276.00	9" Pulley	\$149.13
8102.0274.00	40" Belt B-Style	\$33.43
8102.0275.00	Pulley & Belt Assembly Kit [Includes all of the above, 2 belts, 2 bolts]	\$275.60

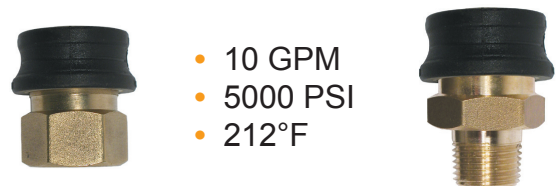
## CLUTCH



- 12 Volt
- 101 Nm of Torque
- 75 Lb.-Ft.
- 3.9 Amps

Part #	Description	List Price
8201.0000.00	Clutch, Single Groove	\$739.00
8201.0007.00	Clutch, Double Groove	\$704.00
7600.0100.00	Plate, 2-1/2" Dia. <b>A</b>	\$51.37
For Pump Models FW, HW, RW, SW & TW		
7600.0101.00	Plate, 1-1/2" Dia. <b>B</b>	\$55.70
For Pump Models LW & ZW		

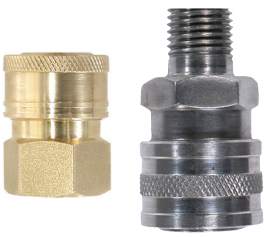
## COUPLERS-Insulated



- 10 GPM
- 5000 PSI
- 212°F

Part #	Description	List Price
8402.1301.00	Coupler, 1/4" Insulated FPT	\$8.62
8402.1302.00	Coupler, 1/4" Insulated MPT	\$8.38
8402.1303.00	Coupler, 3/8" Insulated FPT	\$13.43
8402.1304.00	Coupler, 3/8" Insulated MPT	\$10.58

## COUPLERS-QC Sockets



- Ball Bearing Snap Connection
- Precision Machined Parts
- Click Lock Design
- 5000 PSI - 1/4"
- 4000 PSI - 3/8" & 1/2"
- **Box Qty 100 (1/4" & 3/8")**
- **Box Qty 50 (1/2")**

### Brass Sockets

Part #	Description	List Price
8102.0301.00	Brass Socket, 1/4" FPT	\$4.97
8102.0302.00	Brass Socket, 3/8" FPT	\$6.66
8102.0303.00	Brass Socket, 1/4" MPT	\$5.28
8102.0304.00	Brass Socket, 3/8" MPT	\$7.56
8102.0356.00	Brass Socket, 1/2" MPT	\$13.26
8102.0357.00	Brass Socket, 1/2" FPT	\$12.65

### Zinc-Plated Steel Sockets

Part #	Description	List Price
8102.0313.00	Zinc Socket, 1/4" FPT	\$6.42
8102.0317.00	Zinc Socket, 1/4" MPT	\$6.57
8102.0318.00	Zinc Socket, 3/8" MPT	\$8.35

### Stainless Steel Sockets-5000 PSI

Part #	Description	List Price
8102.0309.00	Stainless Steel, 1/4" FPT	\$10.04
8102.0310.00	Stainless Steel, 3/8" FPT	\$11.82
8102.0311.00	Stainless Steel, 1/4" MPT	\$11.71
8102.0312.00	Stainless Steel, 3/8" MPT	\$15.31

## O-RINGS-Replacement

Part #	Description	List Price
8102.0301.01	"O" Ring for 1/4" Couplers	\$ .42
8102.0302.01	"O" Ring for 3/8" Couplers	\$ .42
8102.0356.01	"O" Ring for 1/2" Couplers	\$ .42
8102.0301.02	Viton "O" Ring for 1/4" Couplers	\$1.91
8102.0302.02	Viton "O" Ring for 3/8" Couplers	\$1.07

## COUPLERS-QC Plugs



- Industrial Grade Steel
- Precision Machined Parts
- 5000 PSI - 1/4"
- 4000 PSI - 3/8" & 1/2"
- **Box Qty 100**

### Brass Plugs

Part #	Description	List Price
8102.0350.00	Brass Plug, 1/4" FPT	\$2.33
8102.0351.00	Brass Plug, 1/4" MPT	\$1.83
8102.0352.00	Brass Plug, 3/8" FPT	\$3.61
8102.0353.00	Brass Plug, 3/8" MPT	\$3.88
8102.0362.00	Brass Plug, 1/2" MPT	\$4.83
8102.0363.00	Brass Plug, 1/2" FPT	\$5.33

## COUPLERS-QC Plugs Cont'd...

### ST-N2 Steel Plugs

Part #	Description	List Price
8102.0320.00	Steel Plug, 1/4" FPT	\$1.28
8102.0321.00	Steel Plug, 1/4" MPT	\$1.00
8102.0322.00	Steel Plug, 3/8" FPT	\$1.44
8102.0323.00	Steel Plug, 3/8" MPT	\$1.40
8102.0354.00	Steel Plug, 1/2" MPT	\$1.94
8102.0355.00	Steel Plug, 1/2" FPT	\$2.55

### Hardened Steel Plugs

Part #	Description	List Price
8102.0324.00	Hardened Steel Plug, 1/4" FPT	\$1.17
8102.0325.00	Hardened Steel Plug, 1/4" MPT	\$1.11
8102.0326.00	Hardened Steel Plug, 3/8" FPT	\$1.61
8102.0327.00	Hardened Steel Plug, 3/8" MPT	\$1.61
8102.0358.00	Hardened Steel, 1/8" FPT	\$1.48

### Stainless Steel Plugs-5000 PSI

Part #	Description	List Price
8102.0328.00	Stainless Steel Plug, 1/4" FPT	\$3.38
8102.0329.00	Stainless Steel Plug, 1/4" MPT	\$3.05
8102.0330.00	Stainless Steel Plug, 3/8" FPT	\$5.05
8102.0331.00	Stainless Steel Plug, 3/8" MPT	\$4.77

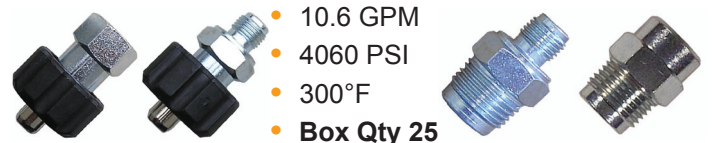
## COUPLERS-Twist Connect & QC



- Secure Twist Connection
- Click Lock Design
- 4000 PSI

Part #	Description	List Price
8402.1305.00	Coupler M22F x 3/8" QC MNPT	\$15.23

## COUPLERS-Twist Connect, 1/2"



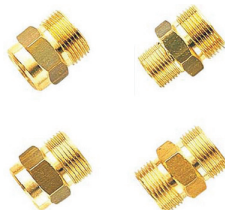
- 10.6 GPM
- 4060 PSI
- 300°F
- **Box Qty 25**

Part #	Description	List Price
8108.9157.00	Body G 1/4" M MV #0212000050	\$14.25
8108.9156.00	Body G 1/4" F MV #0212000030	\$14.25
8108.7012.00	Body G 3/8" M MV #0212000040	\$14.02
8108.8019.00	Body G 3/8" F MV #0212000020	\$14.02
8108.9124.00	Plug G 1/4" M MV #0212000150	\$9.61
8108.7013.00	Plug G 1/4" F MV #0212000130	\$9.61
8108.7015.00	Plug G 3/8" M MV #0212000140	\$9.61
8108.7014.00	Plug G 3/8" F MV #0212000120	\$9.61

### COUPLERS-Twist Connect, M22



- 4060 PSI
- 302°F
- **Box Qty 25**



- 10.6 GPM

- 8 GPM

Part #	Description	List Price
8108.9125.00	Body, 1/4" F x M22F MV #0212003530	\$15.34
8108.8302.00	Body, 1/4" M x M22F MV #0212003550	\$16.81
8108.7004.00	Body, 3/8" F x M22F MV #0212003520	\$14.87
8108.8301.00	Body, 3/8" M x M22F MV #0212003540	\$15.49
8108.8303.00	Plug, 1/4" F x M22M MV #0212003630	\$8.52
8108.7005.00	Plug, 1/4" M x M22M MV #0212003650	\$8.52
8108.7006.00	Plug, 3/8" F x M22M MV #0212003620	\$8.52
8108.7007.00	Plug, 3/8" M x M22M MV #0212003640	\$8.52

### COUPLERS-Twist Connect-M22



- Secure Twist Connection
- Precision Machined
- 10 GPM
- 4000 PSI
- **Box Qty 100**

Part #	Description	List Price
8102.6000.00	Body, 1/4" FPT x M22F, Brass <b>A</b>	\$6.49
8102.6001.00	Body, 3/8" FPT x M22F, Zinc <b>C</b>	\$6.50
8102.6020.00	Body, 1/4" MPT x M22F Brass <b>B</b>	\$7.49
8102.8521.00	Body, 3/8" MPT x M22F Brass <b>D</b>	\$7.77
8102.6002.00	Plug, 1/4" FPT x M22M <b>E</b>	\$3.00
8102.6003.00	Plug, 3/8" FPT x M22M <b>G</b>	\$3.61
8102.6004.00	Plug, 1/4" MPT x M22M <b>F</b>	\$3.61
8102.6005.00	Plug, 3/8" MPT x M22M <b>H</b>	\$3.61
8102.6000.01	O-ring, Twist Connect	\$.42

### COUPLERS-Twist Connect-QC



- Adapts from QC to M22 Twist Connect
- 4000 PSI
- **Box Qty 100**

Part #	Description	List Price
8102.8518.00	3/8" QC Socket X M22M	\$7.77
8102.8519.00	3/8" QC Plug x M22F	\$6.82

### COUPLING-Ball Quick Coupling



- 12 GPM
- 3600 PSI
- 300° F

- **Box Qty 5**

Part #	Description	List Price
8108.8304.00	Coupler, G 1/4" M MV #0212006150	\$37.11
8402.1677.00	Plug, G 1/4" F	\$14.86

### ENGINE KEYS



- Keys for All Common Engine Shafts
- Fits 1" & 3/4" Shafts

Part #	Description	List Price
8102.2800.00	Shaft Key-3/4" Solid Shaft	\$1.68
8102.2801.00	Shaft Key-1" Solid Shaft	\$3.70

### FILTERS-Self-Cleaning



- 40 GPM
- 290 PSI
- 60° F
- Polypropylene

Part #	Description	List Price
8108.8006.00	Filter, In-Line G1" F, 80 Mesh MV #8106002	\$48.26
8108.8007.00	Filter, In-Line G1" F, 100 Mesh MV #8106003	\$48.26

### FILTER/HOSE ASSEMBLY



- Industrial Duty Hose
- Chemical Filter with Check Valve

Part #	Description	List Price
8102.3000.00	Chemical Hose Assembly, 3 ft.	\$2.56
8102.3001.00	Chemical Hose Assembly, 6 ft.	\$4.30

### FILTERS-Canister



- Poly carbonate
- 145 PSI
- 1" (F x F) Connection
- Uses 9-3/4" Filters

Part #	Description	List Price
8402.0430.00	Poly carbonate Housing	\$31.33
8402.0431.00	Filter, Plastic, 60 Microns, 10"	\$11.89
8402.0432.00	Filter, Carbon Block, 5 Microns	\$7.73



## FILTERS-Chemical Suction



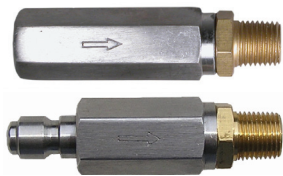
**A**      **B**      **C**      **D**      **E**      **F**  
 400 Microns/40 Mesh      840 Microns/20 Mesh  
 A, B, C & D      E & F

**Box Qty**

- 20
- 50
- 50
- 20
- 50
- 50

Part #	Description	List Price
8402.2005.00	Chemical Strainer--with Check <b>A</b>	\$8.03
8108.7018.00	Chemical Strainer--with Ballast <b>B</b>	\$2.48
	MV #050105	
8108.7024.00	Chemical Strainer--with Ballast <b>C</b>	\$3.25
	MV #8064000	
8107.2006.00	Chemical Strainer--w/o Check <b>D</b>	\$6.77
8108.9119.00	Intake Strainer, MV 15 <b>E</b>	\$2.63
	MV #0211000120	
8108.9118.00	Intake Strainer, MV 16 w/Check <b>F</b>	\$4.42
	MV #0211000110	

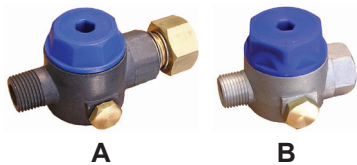
## FILTERS-High Pressure



- 8 GPM
- Max PSI 5000
- Max Temp 200°
- Stainless w/Brass Insert
- 80 Mesh

Part #	Description	List Price
8402.0335.00	Filter 1/4" FPT x 1/4" MPT	\$19.38
8402.0334.00	Filter QC x 1/4" MPT	\$18.09
8402.0334.01	Screen, High Pressure Filter	\$3.08

## FILTER-Inlet



- Bypass Port
- 1/2" F x 1/2" M
- Replaceable Screen
- 60 Mesh Cuffed Screen

Part #	Description	List Price
8402.0410.00	Inlet Filter, Alum. Body <b>B</b>	\$21.99
8402.0411.00	Replacement Blue Cap only for 8402.0410.00	\$6.76
8402.0412.00	Replacement Screen only for 8402.0410.00	\$5.48
8102.0401.00	Inlet Filter, Alum. Body <b>A</b> w/ Garden Hose Adaptor	\$26.64

## FILTER-Inlet, Clear Bowl



\*Patent Pending

- 8.0 GPM
- 160 PSI
- 175° F
- 3/4" FGH Inlet
- 1/2" MPT Outlet

Part #	Description	List Price
8102.0460.00	Filter, No By-Pass	\$28.94
8102.0461.00	Filter, 1/4" By-Pass	\$35.21
8102.0460.01	Replacement Sleeve	\$2.00
8102.0460.02	Replacement O-Ring	\$2.18

## FILTER-Strainer MV 18



- 8.0 GPM
- 145 PSI
- 140° F
- 50 Mesh
- **Box Qty 10**

Part #	Description	List Price
8108.7016.00	1/2" F x 1/2" M x 1/4" F By-Pass MV #0211001080	\$33.39
8108.7011.00	1/2" F x 1/2" M, No By-Pass MV #0211001090	\$30.21
1002.0110.00	1/2" F x 1/2" F, No By-Pass MV #0211001100	\$43.90
8108.7017.00	Cap MV #0103740020	\$11.62

## FILTER-Tank Suction



- Straining Power  
400 Microns

Part #	Description	List Price
8402.0440.00	Tank Suction Filter	\$26.16
8402.0441.00	Tank Suction Filter w/check	\$28.53

## FILTER-Y Intake Strainer



- 290 PSI
- 8 GPM
- 210° F
- 50 Mesh SS. Screen
- Brass Body
- **Box Qty 5**

Part #	Description	List Price
8107.2011.00	1/2" F x 1/2" F MV #0211000520	\$17.66
8107.2012.00	3/4" F x 3/4" F MV #0211000530	\$23.94
8107.2013.00	1" F x 1" F MV #0211000540	\$32.00



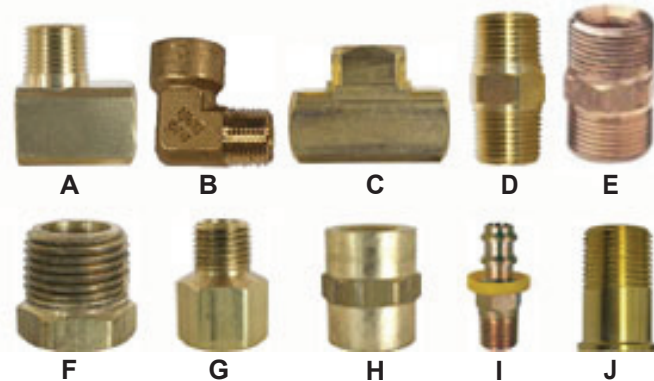
### FITTING KIT-Bayonet Style



- 8 GPM
- 2000 PSI
- 200° F
- 1/4" FNPT
- Brass Fittings
- Box Qty 40

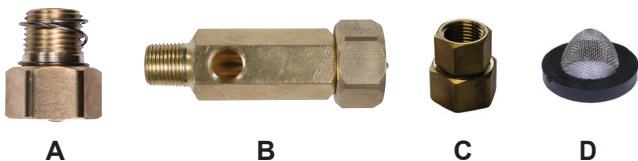
Part #	Description	List Price
8102.0600.00	Fitting Kit, 5 Pack	\$22.22

### FITTINGS-Brass, Misc.



Part #	Description	List Price
8102.0503.00	Street Elbow, 1/4" M x 1/4" F <b>A</b>	\$6.32
8102.0504.00	Street Elbow, 3/8" M x 3/8" F <b>A</b>	\$16.58
8102.0509.00	Street Elbow, 3/8" M x 1/4" F <b>A</b>	\$7.65
8107.0508.00	Street Elbow, 1/2" M x 1/2" F <b>B</b>	\$16.85
8102.0502.00	Tee, 3/8" F x 3/8" F x 3/8" F <b>C</b>	\$29.20
8102.0505.00	Hex Nipple, 3/8" MPT x 3/8" MPT <b>D</b>	\$3.56
8102.6011.00	Hex Nipple, 1/2" MPT x 1/2" MPT <b>D</b>	\$8.39
8116.0005.00	Nipple, 1/2" M x M22M <b>E</b>	\$9.21
8102.0506.00	Hex Bushing, 1/2" M x 3/8" F <b>F</b>	\$8.80
8102.6012.00	Reducer, 1/4" M x 3/8" F <b>G</b>	\$3.46
8102.6014.00	Coupling, 3/8" F x 3/8" F <b>H</b>	\$5.11
8102.0507.00	Hose Barb, 1/4" MPT x 3/8" Barb <b>I</b>	\$3.11
8102.0508.00	Hose Barb, 3/8" MPT x 3/8" Barb <b>I</b>	\$4.49
8102.8502.00	Fitting, 1/2" MGH <b>J</b>	\$5.28

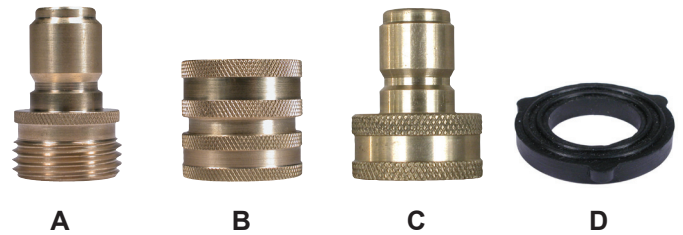
### FITTINGS-Garden Hose



- Solid Brass Fittings
- Precision Threads

Part #	Description	List Price
8105.0500.00	1/2" MPT x FGH <b>B</b>	\$16.03
8105.0501.00	3/8" MPT x FGH <b>B</b>	\$14.94
8105.0502.00	1/2" FPT x FGH <b>C</b>	\$6.16
8105.0600.00	3/8" MPT x FGH <b>A</b>	\$5.38
8105.0601.00	1/2" MPT x FGH <b>A</b>	\$5.83
8102.0450.00	Filter Washer for GH Adapter <b>D</b>	\$0.54

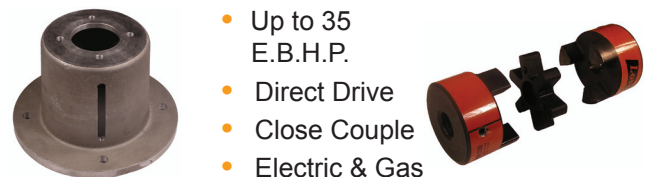
### FITTINGS-QC Garden Hose



- Solid Brass Fittings
- Precision Threads
- Box Qty 100

Part #	Description	List Price
8102.0335.00	Plug, Brass, 1/2" QC x MGH <b>A</b>	\$3.96
8102.0336.00	Coupler, Brass, 1/2" QC x FGH <b>B</b>	\$5.55
8102.0337.00	Garden Hose QC Set	\$9.42
8102.0338.00	Plug, Brass, 3/4" FBSP <b>C</b>	\$2.1
8102.0451.00	Washer, Garden Hose <b>D</b>	\$2.10

### FLEX COUPLER-Love Joy



- Up to 35 E.B.H.P.
- Direct Drive
- Close Couple
- Electric & Gas

Part #	Description	List Price
1009.0273.00	Bell Housing	\$210.72
8201.0002.00	Love Joy Coupler, 24mm (Jaw)	\$168.61
8201.0003.00	Love Joy Coupler, 1" (Jaw)	\$168.61
8201.0004.00	Love Joy Coupler, 1-1/8" (Jaw)	\$168.61
8201.0005.00	Love Joy Coupler, 1-3/8" (Jaw)	\$168.61
8201.0006.00	Spider (Jaw)	\$86.62

### FLOAT TANK



- 0.8 Gallon Tank
- 140° F Max
- Tank includes Lid
- Box Qty 30

Part #	Description	List Price
8108.8015.00	Tank with Inlet and Bulkhead MV #0210000010	\$16.19

## FLOAT VALVES



- A**
- Box Qty 25
- B**
- Box Qty 50
  - 140° F Max.
  - 3/4 Male Inlet

Part #	Description	List Price
8107.2602.00	Valve, Brass, 105 PSI <b>A</b>	\$47.88
8107.2601.00	Valve, Plastic, 145 PSI <b>B</b>	\$24.25
	MV #0208000001	

## FOAMER



- 1800 PSI
- 140° F
- 1/4" Female Inlet
- Box Qty 5

Part #	Description	List Price
8108.2610.00	Foamer, .09 Gal. Tank	\$81.27
	MV #0202001000	

## FOAMER-Professional



- 5.3 GPM
- 2900 PSI
- 140° F
- 1/4" Female Inlet
- Box Qty 5

Part #	Description	List Price
8108.2611.00	Foamer, .26 Gal. Tank	\$114.81
	MV #0202001020	
8108.2611.01	Filter	\$13.92
	MV #0120720040	

## FOAMER-Professional



- 6.5 GPM
- 3200 PSI
- 150° F
- 3/8" Male Inlet
- .5 Gal. Tank
- Box Qty 5

Part #	Description	List Price
8116.2604.00	Foamer	\$237.06

## GAUGES-Pressure



- 3/8" QD Brass Socket w/ Stainless Steel Collar
- 3/8" QD Brass Plug
- 1/4" FPT Gauge Port

Part #	Description	List Price
8102.0332.00	QD Gauge Fitting	\$15.48
8102.0340.00	QD Gauge Kit w/4000 PSI Gauge	\$40.04

## GAUGES-Pressure

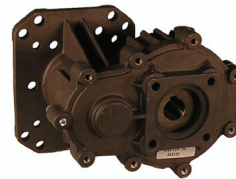


- Glycerin Filled
- 1/4" MNPT Inlet
- Stainless Steel Case
- 2-1/2" Diameter
- Bottom Mount (except 8106.0607.00 & 0602)

Part #	Description	List Price
8106.0607.00	Gauge, 1500 PSI, Back Mount	\$32.33
8106.0602.00	Gauge, 2000 PSI, Back Mount	\$26.73
8106.0602.50	Clamp, Universal, Gauge	\$7.38
8106.0613.00	Gauge, 3000 PSI, Comet Logo	\$25.12
8106.0614.00	Gauge, 4000 PSI, Comet Logo	\$25.12
8106.0627.00	Gauge, 5000 PSI	\$27.20
8106.0615.00	Gauge, 6000 PSI, Comet Logo	\$25.12
8106.0620.00	Gauge, 10K PSI	\$35.03

\*Comet Logo

## GEAR REDUCERS-Gas Engine



- 2.2:1 Gear Ratio
- Helical Cut Gears
- Oil Ring Seal

Part #	Description	List Price
5005.0207.00	Gear Reducer, 1", 9-20 HP	\$495.00
5005.0209.00	Gear Reducer, 1-1/8", 9-20 HP	\$535.00
5005.0236.00	Gear Reducer, 1", 25 HP	\$550.00
5005.0237.00	Gear Reducer, 1-1/8", 25 HP	\$575.00
5005.0254.00	Gear Box, 1500 RPM ELR, ELHR	\$2150.00
5005.0255.00	Gear Box, 1900 RPM ELR, ELHR	\$2425.00
5005.0246.00	Gear Box, 1500 RPM G & GL	\$2355.00
5005.0247.00	Gear Box, 1800 RPM G & GL	\$2355.00
5005.0249.00	Gear Box, 1500 RPM SL	\$4360.00
5005.0250.00	Gear Box, 1800 RPM SL	\$4360.00

## GEAR REDUCERS-Gas Engine



8116.0204.00



Other Gear Boxes



- 2.176:1 Gear Ratio

Part #	Pump Shaft	Drive Shaft	HP	List Price
8116.0200.00	24mm (.9449")	1-1/8"	18-24	\$622.00
8116.0201.00	24mm (.9449")	1"	18-24	\$588.00
8116.0204.00	24mm (.9449")	1"	11-18	\$864.27
8116.0205.00	30mm	1-1/8"	24-31	\$786.00
8116.0200.01	Spacer for 8116.0200.00 (4-per)			\$4.28

### GFCI



- UL, CSA 120V/15A
- Accepts SJTW Cord

Part #	Description	List Price
0456.0116.00	GFCI, w/20' Cord	\$106.35
7500.0001.00	Single Plug Surge Protector (5-15R)	\$48.07
7500.0002.00	Plug for 12 AWG	\$52.90
3038.0006.00	GFCI	\$55.54

### GUNS-RL 84



- 21 GPM
- 8100 Max PSI
- 210° F Max
- 1/2" Inlet
- 1/2" Outlet

Part #	Description	List Price
8116.1608.00	Spray Gun, 21 GPM, 8100 PSI	\$560.35

### GUNS-RL 84



- 53 GPM
- 8100 Max PSI
- 230° F Max
- 1/2" Male Inlet
- 1/4" Female Outlet

Part #	Description	List Price
8116.1603.10	Lance Extension, 31.5", Stainless	\$347.00
8116.1608.10	Lance Extension, 15.7", Stainless	\$234.04

### GUNS-RL 57



- 7.5 GPM @ 8000 PSI
- 320° F
- 3/8" F Inlet
- 1/4" F Outlet

Part #	Description	List Price
8116.1616.00	Spray Gun, 7.5 GPM @ 8000 PSI	\$523.32

### GUNS-AL 50



- 12 GPM @ 5075 PSI
- 320° F
- 3/8" Female Inlet
- 1/4" Female Outlet
- **Box Qty 50**

Part #	Description	List Price
8108.8610.00	Spray Gun, 12 GPM @ 5075 PSI MV #0200016710	\$40.42
8108.8610.01	Repair Kit MV #4019900003	\$14.19

### GUNS-MV 951, Free Flow



- 11 GPM @ 5075 PSI
- 300° F
- 3/8" Female Inlet
- 1/4" Female Outlet
- **Box Qty 20**

Part #	Description	List Price
8108.1612.00	Spray Gun, Triggerless MV #4012906000	\$37.42

### GUNS-MV 951



- 11 GPM @ 5075 PSI
- 300° F
- 3/8" Female Inlet
- 1/4" Female Outlet
- **Box Qty 20**

Part #	Description	List Price
8108.1611.00	Spray Gun, 11 GPM @ 5075 PSI MV #4012206001	\$64.46
8108.1611.01	Repair Kit MV #0200103550	\$24.72

### GUNS-MV 951, Weep



- 11 GPM @ 5075 PSI
- 300° F
- 3/8" F Inlet
- 1/4" F Outlet
- **Box Qty 20**

Part #	Description	List Price
8108.8611.00	Spray Gun, Weep MV #4012406003	\$66.24
8108.8611.01	Repair Kit, Weep MV #4019900001	\$31.80
8108.8612.00	Spray Gun, Low Pressure Weep MV #4012406004	\$83.59
8108.8612.01	Repair Kit, Low Pressure Weep MV #4019900000	\$53.88

### GUNS-MV 2002, Swivel



- 11 GPM @ 5075 PSI
- 320° F
- 3/8" F Inlet, Swivel
- 1/4" F Outlet

Part #	Description	List Price
8108.9036.00	Spray Gun, 11 GPM @ 5075 PSI MV #0200011050	\$90.64
8108.8604.01	Repair Kit MV #0200111000	\$27.25



## GUNS-MV 2002



- 10.6 GPM @ 5075 PSI
- 320° F
- 3/8" F Inlet
- 1/4" F Outlet
- **Box Qty 20**

Part #	Description	List Price
8108.8604.00	Spray Gun, 11 GPM @ 5075 PSI MV #4012203000	\$75.69
8108.8604.01	Repair Kit MV #0200111000	\$27.25

## GUNS-MV 2002, Ceramic Ball



- 10.6 GPM @ 5075 PSI
- 320° F
- 3/8" F Inlet
- 1/4" F Outlet
- **Box Qty 10**

Part #	Description	List Price
8108.8608.00	Spray Gun, 10.6 GPM @ 5075 PSI MV #0200018210	\$96.14
8108.8608.01	Repair Kit MV #K00105011	\$62.12

## GUNS-MV 2012



- NEW**
- 10.6 GPM @ 5075 PSI
  - 320° F
  - 3/8" F Inlet
  - 1/4" F Outlet
  - **Box Qty 10**

Part #	Description	List Price
8108.8613.00	Spray Gun, 10.6 GPM @ 5075 PSI MV #4012203008	\$75.69
8108.8613.01	Repair Kit MV #4019900013	\$22.71

## GUNS-MV 2002, Stainless Steel



- 10.6 GPM @ 5075 PSI
- 320° F
- 3/8" F Inlet
- 1/4" F Outlet

Part #	Description	List Price
8108.9037.00	Spray Gun, 11 GPM @ 5075 PSI MV #0200011510	\$376.82
8108.8604.01	Repair Kit MV #0200111000	\$27.25

## GUNS-RL 30



- 10.5 GPM @ 5000 PSI
- 320° F
- 3/8" F Inlet
- 1/4" F Outlet

Part #	Description	List Price
8116.1600.00	Spray Gun	\$88.01

## GUNS-10050



- 10 GPM @ 5000 PSI
- 300° F
- 3/8" F Inlet
- 1/4" F Outlet

Part #	Description	List Price
8402.1600.00	Spray Gun	\$47.46

## GUNS-Horizontal



- 10 GPM @ 5000 PSI
- 300° F Max Temp.
- 3/8" F Inlet
- 1/4" F Outlet

Part #	Description	List Price
8102.1606.00	Spray Gun, Horizontal	\$46.86

## GUNS-MV 950, Weep



- 8 GPM @ 4500 PSI
- 300° F
- 3/8" F Inlet
- 1/4" F Outlet

Part #	Description	List Price
8108.9032.00	Spray Gun, 8 GPM @ 4500 PSI MV #0200008880	\$62.44
8108.1603.01	Repair Kit, Standard MV #0200105000	\$18.98

## GUNS-MV 920



- 7 GPM
- 300° F
- 3/8" F Inlet
- 1/4" F Outlet

Part #	Description	List Price
8108.8603.00	Spray Gun, 7 GPM @ 4500 PSI MV #0200009390	\$68.56
8108.8003.00	Spray Gun, 7 GPM @ 4000 PSI MV #0200009010	\$53.84
8108.1625.01	Repair Kit MV #0200109000	\$12.40



### GUNS-MV 2005



- 8 GPM @ 4000 PSI
- 320° F
- 3/8" F Inlet
- 1/4" F Outlet

Part #	Description	List Price
8108.1620.00	Spray Gun, 8 GPM @ 4000 PSI MV #0200007180	\$43.50
8108.1620.01	Repair Kit MV #0200107100	\$16.27

### GUNS-MV 920, M22



- 7 GPM @ 4000 PSI
- 300° F
- M22M Inlet
- M22M Outlet

Part #	Description	List Price
8108.9033.00	Spray Gun, 7 GPM @ 4000 PSI MV #0200009330	\$70.65
8108.1625.01	Repair Kit MV #0200109000	\$12.40

### GUNS-MV 920 W, Weep



- 7 GPM @ 4000 PSI
- 300° F
- 3/8" F Inlet
- 1/4" F Outlet

Part #	Description	List Price
8108.1625.00	Spray Gun, 7 GPM @ 4000 PSI MV #0200009190	\$56.80
8108.1625.01	Repair Kit MV #0200109000	\$12.40

### GUNS-MV 2006



**Thumb wheel  
for high to  
low pressure  
adjustment**

- 8 GPM @ 3700 PSI
- 320° F
- 3/8" F Inlet
- 1/4" F Outlet
- **Box Qty 50**

Part #	Description	List Price
8108.8600.00	Spray Gun, 8 GPM @ 3700 PSI MV #0200006120	\$59.19
8108.8600.01	Repair Kit MV #0200106110	\$21.54

### GUNS-RL 19 & 204



- 53 GPM
- 3200 PSI
- 210° F
- 1/2" F Outlet

Part #	Description	List Price
8116.1602.00	Spray Gun, RL 19, 1/2" F Inlet	\$529.39
8116.1607.00	Spray Gun, RL 204, 3/4" F Inlet	\$560.35

### GUNS-Front Entry-7027



- 10 GPM @ 3200 PSI
- 210° F
- Brass Valve Body
- 3/8" F Front Inlet
- 1/4" F Outlet

Part #	Description	List Price
8102.1601.00	Spray Gun, 10 GPM @ 3200 PSI	\$25.80
8102.1601.01	Repair Kit	\$11.36

### GUNS-MV 960



- 7 GPM @ 2600
- 210° F
- 3/8" F Inlet
- 1/4" F Outlet
- **Box Qty 20**

Part #	Description	List Price
8108.9028.00	Spray Gun, 7 GPM @ 2600 PSI MV #0200004810	\$39.51
8108.1601.01	Repair Kit, Standard MV #0200104000	\$10.85
8108.1601.02	Repair Kit, Mini (SS Seat and O-Ring Only) MV #0200102010	\$10.75

### GUNS-MV 910



- 5 GPM @ 2000
- 180° F
- 1/4" M Inlet
- 1/4" F Outlet

Part #	Description	List Price
8108.1607.00	Spray Gun, 5 GPM @ 2000 PSI MV #0200006000	\$28.00

### GUNS-RL 124



- 32 GPM
- 1950 PSI
- 210° F
- 1/2" F Inlet
- 1/2" F Outlet

Part #	Description	List Price
8116.1609.00	Spray Gun, 32 GPM, 1950 PSI	\$300.98

### GUNS-EXTENSION-RL 124



- 26.5 GPM
- 1950 PSI
- 230° F
- 1/2" M Inlet
- 1/4" F Outlet

Part #	Description	List Price
8116.1601.10	Lance Ext., 31.5", Zinc Plated	\$124.11

### GUNS LANCE-Molded



- 10.5 GPM @ 5000 PSI
- 320° F
- 3/8" F Inlet
- 22mm Outlet
- Brass Valve Body

Part #	Description	List Price
8102.1640.00	Gun Lance	\$48.21

### GUNS LANCE-Vented, MV 890



- 8 GPM @ 4500 PSI
- 300° F Max
- 3/8" F Inlet
- M22F Outlet

Part #	Description	List Price
8108.9042.00	Gun Lance, 8 GPM, 4500 PSI MV #0200908530	\$87.93

### GUNS LANCE-Vented, MV 2005



- 8 GPM @ 4000 PSI
- 320° F Max
- 3/8" F Inlet
- M22F Outlet

Part #	Description	List Price
8108.8641.00	Gun Lance, 8 GPM, 4000 PSI MV #0200917180	\$41.06

### GUN LANCE-Molded



- 8 GPM @ 4000 PSI
- 200° F Max
- 3/8" QC Plug Inlet
- 24" Lance w/1/4" QC Socket Outlet
- Holds Four Additional QC Nozzles
- Includes Side Grip Handle

Part #	Description	List Price
8102.1648.50	Gun Lance	\$109.28

### GUN LANCE-Molded, MV 920



- 7 GPM @ 4000 PSI
- 300° F Max
- Box Qty 55

Part #	Description	List Price
8108.7640.00	3/8" Inlet F x 1/4" F Outlet MV #0200909250	\$78.87
8108.7641.00	Weep, 3/8" F Inlet x 1/4" F Outlet MV #0200909290	\$85.06

### GUN LANCE-Molded, MV 2009



- 7 GPM @ 3800 PSI
- 212° F Max

Part #	Description	List Price
8108.7601.00	3/8" F Inlet x M22F Outlet MV #0200905510	\$47.44
8108.7646.00	M22M Inlet x M22F Outlet MV #4021109002	\$47.44

### GUN LANCE-Vented, MV 2005



- 8 GPM @ 3700 PSI
- 320° F Max
- 3/8" F Inlet
- M22F Outlet
- Box Qty 20

Part #	Description	List Price
8108.8607.00	Gun Lance, 8 GPM, 3700 PSI MV #0200917120	\$65.39

### GUN LANCE-Vented, MV 2006



- 8 GPM @ 3700 PSI
- 320° F Max
- 3/8" F Inlet
- M22F Outlet
- Box Qty 5

Part #	Description	List Price
8108.9043.00	Gun Lance, 8 GPM, 3700 PSI MV #0200916120	\$79.02

### GUN LANCE-Molded, MV 2008



- 7 GPM @ 3200 PSI
- 212° F Max
- Front Entry

Part #	Description	List Price
8108.7600.00	3/8" F Inlet x M22F Outlet MV #0200903520	\$45.18
8108.9039.00	M22M Inlet x M22F Outlet MV #4020008003	\$31.76

### GUN LANCE-Molded, MV 970



- 7 GPM @ 3200 PSI
- 140° F Max

Part #	Description	List Price
8108.8606.00	3/8" F Inlet, M22F Outlet MV #0200907110	\$55.39
8108.9041.00	M22M Inlet, M22F Outlet MV #0200907100	\$55.31

## GUN LANCE-Molded, MV 2000



- 5 GPM @ 3000 PSI
- 104° F Max

Part #	Description	List Price
8108.8640.00	Gun Lance, 3/8" F Inlet x M22F MV #0200903030	\$42.53
8108.8605.00	Gun Lance, M22M Inlet x M22F MV #0200903000	\$37.50

## GUN LANCE-Vented, MV 870



- 7 GPM @ 2300 PSI
- 140° F Max
- 3/8" QC Inlet
- M22F Outlet

Part #	Description	List Price
8108.7643.00	Gun Lance, 7 GPM, 2300 PSI MV #0200904060	\$71.76

## GUN LANCE-Hobby Kit



- Molded 36" Split Lance
- M22 Coupler
- Vari-Nozzle #3
- 25' x 1/4" 3700 PSI Steel Reinforced Rubber Hose
- Front Load Gun @ 2950 PSI

Part #	Description	List Price
8102.2600.00	Gun/Lance, Hose Assy & M22	\$169.00

## GUNS LANCE-Jolly Lance & Gun



- 362 PSI Metal Nozzle
- 217 PSI Plastic Nozzle
- 8 GPM
- 125° F
- **Box Qty 10**

\*Nozzles Sold Separately

Part #	Description	List Price
8108.7222.00	Lance 36.5" SS, EPDM O-Ring, Blue MV #4020009002	\$74.37
8108.7225.00	Lance 36.5" SS, Viton O-Ring, Red MV #4020009006	\$74.37
8108.7228.00	Lance 36" PVC, EPDM O-Ring, Blue MV #4020009010	\$52.29
8108.7231.00	Lance 36" PVC, Viton O-Ring, Red MV #4020009014	\$52.29
8108.7210.00	Spraygun, EPDM O-Ring, Blue MV #4010007000	\$33.86
8108.7211.00	Spraygun, Viton O-Ring, Red MV #4010007001	\$33.86

## NOZZLES-Jolly Spraygun w/Lance

Part #	Description	List Price
8108.7222.10	Nozzle, 80 Deg. 010 Orange MV #4059500018	\$2.61
8108.7222.15	Nozzle, 80 Deg. 015 Green MV #4059500019	\$2.61
8108.7222.20	Nozzle, 80 Deg. 020 Yellow MV #4059500012	\$2.61
8108.7222.30	Nozzle, 80 Deg. 030 Blue MV #4059500013	\$2.61
8108.7222.40	Nozzle, 80 Deg. 040 Red MV #4059500014	\$2.61
8108.7222.50	Nozzle, 80 Deg. 050 Brown MV #4059500015	\$2.61
8108.7222.60	Nozzle, 80 Deg. 060 Gray MV #4059500016	\$2.61
8108.7222.80	Nozzle, 80 Deg. 080 White MV #4059500017	\$2.61

## HOSE ASSEMBLIES-4000 PSI



- 4000 PSI Max.
- 250°F, (275°F Intermittent)
- 3/8"M Solid x 3/8"M Swivel
- Bend Restrictor on Both Ends
- Single Wire

Part #	Description	List Price
8115.0840.00	4000-25, Black, 25'	\$89.00
8115.0841.00	4000-50, Black, 50'	\$158.00
8115.0842.00	4000-100, Black, 100'	\$307.00
8115.0846.00	4000-25, Non-Marking Gray, 25'	\$104.00
8115.0847.00	4000-50, Non-Marking Gray, 50'	\$192.00
8115.0848.00	4000-100, Non-Marking Gray, 100'	\$348.00

## HOSE ASSEMBLIES-5400 PSI



- 5400 PSI Max.
- 250°F, (275°F Intermittent)
- 3/8"M Solid x 3/8"M Swivel
- Bend Restrictor on Both Ends
- Double Wire

Part #	Description	List Price
8115.0843.00	5400-25, Black, 25'	\$122.00
8115.0844.00	5400-50, Black, 50'	\$226.00
8115.0845.00	5400-75, Black, 75'	\$343.00
8115.0852.00	5400-100, Black, 100'	\$428.00
8115.0849.00	5400-25, Non-Marking Gray, 25'	\$126.00
8115.0850.00	5400-50, Non-Marking Gray, 50'	\$249.00
8115.0851.00	5400-100, Non-Marking Gray, 100'	\$474.00



## HOSE REELS-Black



8112.0802.00



8102.0802.00

Part #	Description	List Price
8112.0802.00	Hose Reel, 4000 PSI, 100'	\$262.00
8102.0802.00	Hose Reel, 4000 PSI, 200'	\$353.00

## HOSE REEL-Swivel



8112.0804.00

- 4000 PSI
- 3/8" FNPT Inlet
- 3/8" MNPT Discharge



8112.0803.00

Part #	Description	List Price
8112.0804.00	Hose Reel 90° Swivel, 160° F Max	\$49.76
8112.0804.01	Repair kit	\$32.90

For Hose Reel 8112.0802.00 & 8102.0802.00

8112.0803.00	Swivel, 90°, 400° F Max	\$100.46
8112.0810.00	Swivel Repair Kit	\$25.43

For Hose Reel 8112.0801.00 (not pictured above) No Longer Available

8112.0809.00	Hose Reel Swivel, 90° 1/2" FPT Inlet x 3/8" FPT Outlet	\$52.08
--------------	---	---------

## INJECTORS-Downstream



- Stainless Steel Insert
- Adjustable Chemical Injection
- 3500 PSI Max
- 212° F Max Temp
- 3/8" MPT Inlet x 3/8" MPT Outlet

Part #	Description	GPM	List Price
8402.2122.00	Injector, Adjustable 1.8 mm	2-3	\$19.62
8402.2123.00	Injector, Adjustable 2.1 mm	3-5	\$19.62
8402.2124.00	Injector, Adjustable 2.3 mm	5-8	\$19.62

## INJECTORS-Downstream



MVR400

- Stainless Steel Insert
- Adjustable
- 4500 PSI
- 200°F
- 3/8" M In/Outlet

Part #	Description	GPM	List Price
8108.2129.00	MVR400-1.6 Adj. MV #0203004140	1 - 2	\$35.95
8108.2130.00	MVR400-1.8 Adj. MV #0203004150	2 - 3	\$35.95
8108.9061.00	MVR400-2.1 Adj. MV #0203004160	3 - 5	\$35.95
8108.2132.00	MVR400-2.3 Adj. MV #0203004170	5 - 8	\$35.95

## INJECTORS-Downstream



MV400



MV410



MV420



MVR400



MVR410



MVR420

- Brass Insert
- 4500 PSI
- Adjustable or Fixed Flow
- 200° F
- Box Qty 10

Part #	Description	Inlet	Outlet	GPM	List Price
8108.2101.00	MV400-1.6 Fixed MV #0203004000	3/8" M	3/8" M	1-2	\$25.02
8108.2102.00	MV400-1.8 Fixed MV #0203004010	3/8" M	3/8" M	2-3	\$25.02
8108.2103.00	MV400-2.1 Fixed MV #0203004020	3/8" M	3/8" M	3-5	\$25.02
8108.2104.00	MV400-2.3 Fixed MV #0203004030	3/8" M	3/8" M	5-8	\$25.02
8108.2105.00	MV410-1.6 Fixed MV #0203005000	3/8" F	3/8" M	1-2	\$25.02
8108.2106.00	MV410-1.8 Fixed MV #0203005010	3/8" F	3/8" M	2-3	\$25.02
8108.2107.00	MV410-2.1 Fixed MV #0203005020	3/8" F	3/8" M	3-5	\$25.02
8108.2108.00	MV410-2.3 Fixed MV #0203005030	3/8" F	3/8" M	5-8	\$25.02
8108.9064.00	MV420-2.1 Fixed MV #0203006020	3/8" M	3/8" F	3-5	\$25.02
8108.2121.00	MVR400-1.6 Adj. MV #0203004100	3/8" M	3/8" M	1-2	\$33.00
8108.2122.00	MVR400-1.8 Adj. MV #0203004110	3/8" M	3/8" M	2-3	\$33.00
8108.2123.00	MVR400-2.1 Adj. MV #0203004120	3/8" M	3/8" M	3-5	\$33.00
8108.2124.00	MVR400-2.3 Adj. MV #0203004130	3/8" M	3/8" M	5-8	\$33.00
8108.2125.00	MVR410-1.6 Adj. MV #0203005100	3/8" F	3/8" M	1-2	\$33.00
8108.2126.00	MVR410-1.8 Adj. MV #0203005110	3/8" F	3/8" M	2-3	\$33.00
8108.2127.00	MVR410-2.1 Adj. MV #0203005120	3/8" F	3/8" M	3-5	\$33.00
8108.2128.00	MVR410-2.3 Adj. MV #0203005130	3/8" F	3/8" M	5-8	\$33.00
8108.9155.00	MVR420-1.8 Adj. MV #0203006110	3/8" M	3/8" F	2-3	\$33.00
8108.2147.00	MVR420-2.1 Adj. MV #0203006120	3/8" M	3/8" F	3-5	\$33.00
8108.2148.00	MVR420-2.3 Adj. MV #0203006130	3/8" M	3/8" F	5-8	\$33.00





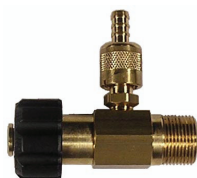
## INJECTORS-Downstream



- Brass Insert
- Adjustable Hose Barb
- 4500 PSI
- 200° F
- **Box Qty 10**

Part #	Description	Inlet	Outlet	GPM	List Price
8108.8200.00	MVR410-2.1 Adj. MV #0203005620	3/8" F	3/8" M	3-5	\$32.93
8108.8004.00	MVR400-2.1 Adj. MV #0203004620	3/8" M	3/8" M	3-5	\$32.93
8108.2559.18	Adj Hose Barb Conversion Kit MV #0203100041				\$13.86

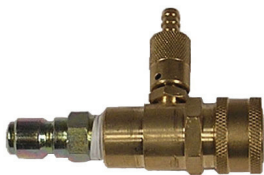
## INJECTORS-Twist Conn x M22



- 4100 PSI
- 300° F
- Twist Connect Inlet
- M22M Outlet

Part #	Description	GPM	List Price
8108.2152.00	Fixed Chem. Inj., 1.8 MV #0203007410	2-3	\$49.89
8108.2151.00	Adj. Chem. Inj., 2.1 MV #0203007220	3-5	\$49.89
8108.2149.00	Adj. Chem. Inj., 2.3 MV #0203007230	5-8	\$49.89

## INJECTORS-Quick Connect



- 3500 PSI Max
- 212° F Max Temp
- 3/8" QC Plug Inlet
- 3/8" QC Coupler Outlet
- Brass

Part #	Description	Size	GPM	List Price
8402.2101.00	Injector, Adjustable	1.8mm	2-3	\$27.34
8402.2102.00	Injector, Adjustable	2.1mm	3-5	\$27.34
8402.2103.00	Injector, Adjustable	2.3mm	5-8	\$27.34

### GUIDE FOR NOZZLE SELECTION

NOZZLE		RECOMMENDED FLOW	
MM	In.	L/Min	GPM
1.6	.06	5-8	1.3-2.1
1.8	.07	8-12	2.1-3.2
2.1	.08	10-15	2.6-4.0
2.3	.09	12-18	3.2-4.8

## LANCES-Dual LD MV 30



- 11 GPM
- 4060 PSI
- 300° F
- 1/4" M Inlet x F Outlet
- **Box Qty 10**

Part #	Description	List Price
8108.8100.00	Lance, 40" Chrome Plated MV #0202003020	\$111.25

## LANCES-Dual Vented, Stainless



- 10.5 GPM
- 3600 PSI
- 300° F
- 1/4" M Inlet x F Outlet

Part #	Description	List Price
8108.1101.00	Dual Lance, 42" Stainless Steel MV #0202003130	\$129.65

## LANCES-Dual Vented, Stainless



- 10.5 GPM
- 4000 PSI
- 300° F
- 1/4" M Inlet x F Outlet

Part #	Description	List Price
8402.1101.00	Dual Lance, 42" Stainless Steel	\$109.97

## LANCES-Dual Vented, Zinc



- 10.5 GPM
- 4000 PSI
- 300° F
- 1/4" M Inlet x F Outlet

Part #	Description	List Price
8402.1100.00	Dual Lance, 40" Zinc Plated	\$68.36

## LANCES-Dual Vented, Zinc



- 10.5 GPM
- 4000 PSI
- 300° F
- 1/4" M Inlet x F Outlet

Part #	Description	List Price
8108.1100.00	Dual Lance, 40" Zinc Plated MV #0202003140	\$99.52

## LANCES-Dual



- 10.5 GPM
- 3000 PSI
- 284° F
- 1/4" M Inlet x 1/8" F Outlet

Part #	Description	List Price
8110.1101.00	Molded Grip, 36"	\$185.80

### LANCES-Dual



- 11 GPM
- 3600 PSI
- 300° F

Part #	Description	List Price
8108.8020.00	Dual Lance, 23", M22M Inlet MV #0202004691	\$107.30

### LANCES-Dual w/Trigger



- 10.5 GPM
- 3600 PSI
- 300° F
- 1/4" M Inlet x F Outlet

Part #	Description	List Price
8107.1110.00	Vented Grip, w/Trigger	\$153.86

### LANCES-Molded, Zinc, Straight



- 11 GPM
- 4000 PSI
- 300° F

Part #	Description	List Price
8402.1200.00	Lance, Molded Grip 13"	\$6.78
8402.1201.00	Lance, Molded Grip 18"	\$7.55
8402.1202.00	Lance, Molded Grip 24"	\$9.04
8402.1203.00	Lance, Molded Grip 36"	\$12.13
8402.1223.00*	Lance, Molded Grip 36", Chrome	\$14.74
8402.1204.00	Lance, Molded Grip 47"	\$17.95
8402.1205.00	Lance, Molded Grip 59"	\$21.88
8402.1206.00	Lance, Molded Grip 70"	\$24.97
8402.1207.00	Lance, Molded Grip 79"	\$26.87

\*Chrome-Plated

### LANCES-Molded, Chrome, Straight



- Seamless, Chrome-Plated
- 10.5 GPM
- 4000 PSI
- 300° F
- **Box Qty 50**

Part #	Description	List Price
8102.1205.00	Lance, Molded, Split Grip, 59"	\$27.87
8102.1207.00	Lance, Molded, Split Grip, 79"	\$33.24

### LANCES-Molded, SS, Straight



- MV20/D
- 10.6 GPM
- 4060 PSI
- 300° F Max
- **Box Qty 20**

Part #	Description	List Price
8108.9045.00	Lance, 36" Molded Grip MV #0202002560	\$36.49

### LANCES-Molded, Zinc, Straight



- MV20/B
- 11 GPM
- 4000 PSI
- 300° F Max

Part #	Description	Box Qty	List Price
8108.1200.00	Lance, Molded Grip 13" MV #0202002000	20	\$13.56
8108.1201.00	Lance, Molded Grip 18" MV #0202002010	20	\$16.19
8108.8102.00	Lance, Molded Grip 24" MV #0202002040	20	\$17.82
8108.1203.00	Lance, Molded Grip 36" MV #0202002060	20	\$22.23
8108.1204.00	Lance, Molded Grip 47" MV #0202002080	20	\$29.59
8108.1205.00	Lance, Molded Grip 59" MV #0202002090	10	\$35.79
8108.1206.00	Lance, Molded Grip 70" MV #0202002110	5	\$41.99
8108.1207.00	Lance, Molded Grip 79" MV #0202002100	5	\$49.74

### LANCES-Molded, Zinc, Straight



- MV 55
- 12 GPM
- 4500 PSI
- 300° F

Part #	Description	Box Qty	List Price
8108.9047.00	Lance, 28" Molded Grip MV #0202015500	20	\$9.25
8108.9048.00	Lance, 36" Molded Grip MV #0202015510	20	\$11.36
8108.9050.00	Lance, 59" Molded Grip MV #0202015530	10	\$19.44

### LANCES-Molded, Zinc, Bent



- MV 55
- 12 GPM
- 4500 PSI
- 300° F
- **Box Qty 20**

Part #	Description	List Price
8108.9051.00	Lance, 28" Molded Grip MV #0202015600	\$9.25
8108.9052.00	Lance, 36" Molded Grip MV #0202015610	\$11.36
8108.9053.00	Lance, 47" Molded Grip MV #0202015620	\$15.59



### LANCE - Molded, Bent



- NEW**
- 11 GPM
  - 4000 PSI
  - 300° F
  - Zinc Plated

Part #	Description	List Price
8402.1291.00	Lance, Molded, 36" Bent	\$12.13
8402.1292.00	Lance, Molded, 48" Bent	\$17.95

### LANCES-Molded, Bent



- 10.5 GPM
- 4100 PSI
- 300° F Max.
- Nozzle Holder & Protector
- **Box Qty 30**

Part #	Description	List Price
8107.1270.00	Lance, Molded, 28", Zinc Plated	\$22.85
8107.1271.00	Lance, Molded, 36", Zinc Plated	\$23.55
8107.1272.00	Lance, Molded, 47", Zinc Plated	\$34.63
8107.1273.00	Lance, Molded, 59", Zinc Plated	\$40.52
8107.1274.00	Lance, Molded, 67", Zinc Plated	\$41.60
8107.1275.00	Lance, Molded, 79", Zinc Plated	\$47.88
8107.1280.00	Lance, Molded, 28", Stainless Steel	\$34.63
8107.1281.00	Lance, Molded, 36", Stainless Steel	\$40.52
8107.1282.00	Lance, Molded, 47", Stainless Steel	\$54.08
8107.1283.00	Lance, Molded, 59", Stainless Steel	\$62.91
8107.1284.00	Lance, Molded, 67", Stainless Steel	\$68.79
8107.1285.00	Lance, Molded, 79", Stainless Steel	\$78.01

### LANCES-Non-Molded, Zinc



- Seamless, Zinc Plated
- 10.5 GPM
- 4000 PSI
- 300° F
- **Box Qty 50**

Part #	Description	List Price
8402.1210.00	Spray Lance, Non-Molded 12"	\$3.69
8402.1211.00	Spray Lance, Non-Molded 18"	\$4.70
8402.1212.00	Spray Lance, Non-Molded 24"	\$6.54
8402.1213.00	Spray Lance, Non-Molded 36"	\$8.92
8402.1214.00	Spray Lance, Non-Molded 48"	\$11.89
8402.1216.00	Spray Lance, Non-Molded 59"	\$15.63

### LANCES-Non-Molded, Chrome



- Seamless, Chrome Plated
- 10.5 GPM
- 4000 PSI
- 300° F
- **Box Qty 50**

Part #	Description	List Price
8102.1212.00	Spray Lance, Non-Molded 24"	\$8.99

### LANCES-Non-Molded, Zinc



- 11 GPM
- 4000 PSI
- 300° F
- **Box Qty 50**

Part #	Description	List Price
8108.1210.00	Spray Lance, Non-Molded 12" MV #0113730050	\$6.51
8108.1211.00	Spray Lance, Non-Molded 18" MV #0113770000	\$7.28
8108.1212.00	Spray Lance, Non-Molded 24" MV #0113770070	\$9.68
8108.1213.00	Spray Lance, Non-Molded 36" MV #0113770080	\$16.04
8108.1214.00	Spray Lance, Non-Molded 48" MV #471111	\$18.90
8108.1216.00	Spray Lance, Non-Molded 59" MV #471112	\$24.64

### LANCES-Non-Molded, Aluminum



- 11 GPM
- 4000 PSI
- 300° F

Part #	Description	List Price
8107.1222.00	Lance, Non-Molded 24"	\$6.96
8107.1223.00	Lance, Non-Molded 36"	\$15.57
8107.1224.00	Lance, Non-Molded 48"	\$18.06
8107.1225.00	Lance, Non-Molded 59"	\$19.31
8107.1226.00	Lance, Non-Molded 79"	\$25.76
8107.1227.00	Lance, Non-Molded 84"	\$31.96
8107.1228.00	Lance, Non-Molded 96"	\$44.54

### LANCES-Non-Molded, Male/Female



- Seamless, Chrome Plated
- 10.5 GPM
- 4000 PSI
- 300° F

Part #	Description	List Price
8102.1232.00	Lance, 36" 1/4" MNPS x 1/8" FNPS	\$7.46

### LANCES-Vented Grip, Chrome



- MV 10
- 11 GPM
- 4000 PSI
- 300° F
- 1/4" Inlet
- **Box Qty 50**
- M22M Outlet

Part #	Description	List Price
8108.9044.00	Lance, 17", Single Seal M22 MV #0202000505	\$28.28
8108.7250.00	Lance, 17", Double Seal M22 MV #0202000500	\$34.47

## LANCES-Vented, Bent



- 10.5 GPM
- 4100 PSI
- 300° F Max.
- 1/4" FPT Outlet
- Nozzle Holder & Protector
- **Box Qty 25**

Part #	Description	List Price
8107.1250.00	Lance, Vented, 28", Zinc Plated	\$29.05
8107.1251.00	Lance, Vented, 36", Zinc Plated	\$34.86
8107.1252.00	Lance, Vented, 47", Zinc Plated	\$42.30
8107.1253.00	Lance, Vented, 59", Zinc Plated	\$48.57
8107.1254.00	Lance, Vented, 67", Zinc Plated	\$52.53
8107.1255.00	Lance, Vented, 79", Zinc Plated	\$58.18
8107.1260.00	Lance, Vented, 28", Stainless Steel	\$43.74
8107.1261.00	Lance, Vented, 36", Stainless Steel	\$46.72
8107.1262.00	Lance, Vented, 47", Stainless Steel	\$65.21
8107.1263.00	Lance, Vented, 59", Stainless Steel	\$68.98
8107.1264.00	Lance, Vented, 67", Stainless Steel	\$75.01
8107.1265.00	Lance, Vented, 79", Stainless Steel	\$86.85

## LANCES-Vented, S3



- 10.5 GPM
- 6400 PSI
- 320° F
- 1/4" M Inlet
- 1/4" F Outlet

Part #	Description	List Price
8116.1230.00	47" Stainless Steel	\$307.87

## LANCES-Vented, S3 350



- 8 GPM
- 5650 PSI
- 320° F
- 1/4" MPT Inlet
- 1/4" FPT Outlet
- **Box Qty 8**

Part #	Description	List Price
8116.1200.00	41" Stainless Steel	\$143.24

## LANCES-Two Piece



- Industrial Grade
- 10.5 GPM
- 4000 PSI
- 300° F Max.
- Molded Grip
- 1/4" MPT x M22F Twist Connect
- Zinc Plated Pipe M22M x 1/4" MPT

Part #	Description	List Price
8102.4100.00	36" Two Piece Lance w/Coupler	\$36.03

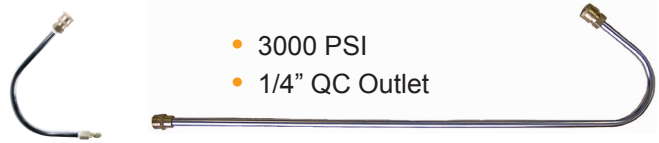
## LANCES-Flex



- 10 GPM
- 2250 PSI
- 194° F

Part #	Description	List Price
8102.1900.00	Flex Lance, 18" 1/4"M x 1/4"M	\$26.80
8102.1901.00	Flex Lance, 18" 1/4"M x 1/8"F	\$26.80

## LANCES-Gutter Cleaner



- 3000 PSI
- 1/4" QC Outlet

Part #	Description	List Price
8102.1653.00	Gutter Cleaner, 1/4" Plug Inlet, 7"	\$17.24
8102.1656.00	Gutter Cleaner, M22M Inlet, 29"	\$23.78

## LANCES-Assembly



- 2400 PSI
- 140° F
- M22M Inlet
- Stainless Steel

Part #	Description	List Price
8108.7254.00	Lance, w/Power-Jet, Yellow Dot MV #0202905210	\$38.97

## LANCES-Extensions



- 5075 PSI
- 140° F
- M22M Inlet
- Stainless Steel

Part #	Description	List Price
8108.7251.00	Lance, Extension, 18.5" MV #0202000700	\$20.14
8102.1651.00	Lance, Extension, 18"  MV #0202000700	\$11.89

## LANCES-Extensions



- 3200 PSI
- 140° F
- M22M Inlet
- Hi-Lo Outlet
- Stainless Steel

Part #	Description	List Price
8108.7252.00	Lance, 16.3" w/Idro-Jet Blue Dot MV #0202000740	\$27.80
8108.7253.00	Lance, 23.6" w/Idro-Jet No Dot MV #0202000750	\$25.39



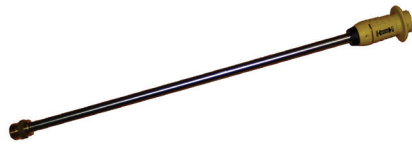
## LANCES-Straight, M22



- Seamless, Chrome-Plated
- 10.5 GPM
- 4000 PSI
- 300° F Max.

Part #	Description	List Price
8102.1650.00	Lance, 18", M22M x 1/4" FPT	\$15.81

## LANCES-18" w/Vari-Nozzle

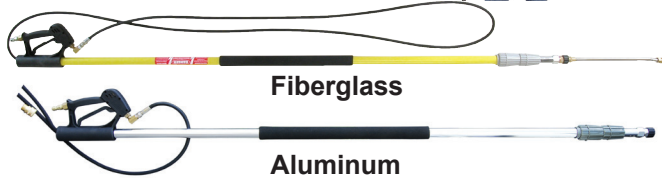


- 2500 PSI
- 140° F
- M22M Inlet
- Stainless Steel

Part #	Description	List Price
8108.1463.00	Lance 18", Hi-Lo Nozzle 035 Orifice MV #0202005810	\$42.34

## LANCES-Telescoping

- Heavy Duty Pole
- 8 GPM
- 4000 PSI
- 200° F



Part #	Description	List Price
8102.1001.70	Wand, Yellow, 12-foot	\$206.71
8102.1002.99	Wand, Yellow, 18-foot	\$224.20
8402.1002.00	Wand, Silver, 18-foot	\$251.33
8102.1003.70	Wand, Yellow, 24-foot	\$280.79
8102.1003.50*	Four Section, 24-foot	\$306.72
8104.1050.00	Telescoping Wand Support Belt	\$21.73

\*Saves shipping cost for two or more

## LANCES-Telescoping, Repair Parts

Part #	Repair Parts	List Price
8102.1001.01	Gun, Screw-in, New Style	\$62.52
8102.1050.01	Repair Kit for New Style Gun	\$33.21
8102.1050.00	Gun, Glue-on, Old Style	\$71.11
8102.1051.00	Replacement Hose, 12', 1/4" Dia.	\$81.96
8102.1052.00	Replacement Hose, 18', 1/4" Dia.	\$100.89
8102.1053.00	Replacement Hose, 24', 1/4" Dia.	\$133.52
8102.1054.00	Pole Lock, Large	\$22.84
8102.1001.04	Pole Lock, Small	\$22.84
8102.1002.30	Pole Lock, Large, Lever Lock	\$24.92
8102.1002.31	Pole Lock, Small, Lever Lock	\$24.92
8102.1001.10	Twist Connect Fitting	\$9.75
8102.1056.00	1/4" MNPT 8° Angled Plug	\$8.46
8102.1002.25	TW18-3 Yellow Sections w/ Locks	\$110.03
8102.1003.25	TW24-3 Yellow Sections w/ Locks	\$204.57

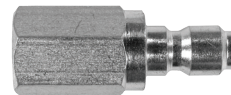
## LANCES-Side Handle



- For 1/4" Wands
- Durable Rubber Handle
- Non Slip Rubber

Part #	Description	List Price
8102.1248.00	Rubber Handle for 1/4" Lance	\$6.07
8402.1249.00	Rubber Handle for 1/2" Lance <b>NEW</b>	\$16.70
8102.1249.00	Rubber Handle with "C" Clamp	\$5.23
8102.1247.00	Plastic Handle with "C" Clamp	\$4.80
8108.1247.00	Plastic Handle with "C" Clamp	\$19.99
8102.1247.01	"C" Clamp <b>NEW</b>	\$3.39

## LANCES-Wand Saver, Fitting



- 10 GPM
- 4000 PSI
- 212° F

Part #	Description	List Price
8402.1328.00	1/4" QC x 1/4" F	\$3.92

## NOZZLE-Adjustable



- 8 GPM
- 3000 PSI
- 300° F
- **Box Qty 5**

Part #	Repair Parts	List Price
8108.9072.00	Nozzle, 1/4" FPT Inlet & Outlet MV # 0204001210	\$25.64

## NOZZLE-Adjustable, Tip Holder



- 3625 PSI
- 302° F
- 1/4" Threading
- Pressure Adjustment for Chemical Application
- **Box Qty 25**

Part #	Repair Parts	List Price
8402.1450.00	Spray Tip Holder w/o Protector	\$14.27
8402.1451.00	Spray Tip Holder with Protector	\$15.46

## NOZZLE-Adjustable, Tip Holder



- 8 GPM
- 4060 PSI
- 320° F
- **Box Qty 15**
- 1/4" Inlet/Outlet

Part #	Repair Parts	List Price
8108.7450.00	Spray Tip Holder with Protector MV #0204009800	\$32.07

## NOZZLE-Protector



- 300° F
- Box Qty 20

Part #	Repair Parts	List Price
8108.8002.00	Nozzle Protector MV #0183740020	\$2.32

## NOZZLE-Protector



- 4500 PSI
- 300° F
- Box Qty 50

Part #	Repair Parts	List Price
8108.9159.00	Nozzle, 1/4" Inlet, 1/8" Outlet MV #0183000000	\$6.35
8402.1452.00	Nozzle, 1/4" Inlet, 1/4" Outlet MV #0183000010	\$2.50

## NOZZLE-Protector MV 114



- 16 GPM
- 5075 PSI
- 300° F
- Box Qty 20

Part #	Repair Parts	List Price
8108.9151.00	Nozzle, 1/4" Inlet, 1/4" Outlet MV #0183000020	\$6.35

## NOZZLE-Protector Kit M18



- 12 GPM
- 3600 PSI
- 300° F
- Box Qty 10
- 1/4" Inlet

Part #	Repair Parts	List Price
8108.9024.00	Karcher Nozzle Holder MV #0183000080	\$12.94

## NOZZLE-Chemical & Soap



- Low Pressure
- Chemical Nozzle

Part #	Description	List Price
8113.3160.00	Nozzle 1/4" QC, 65°, #40, Brass	\$4.09
8113.3162.00	Nozzle 1/4" QC, 65°, #40, Plastic	\$3.19
8102.2610.00	Nozzle 1/4" NPT 40°, #30, Brass	\$3.98

## NOZZLES-Meg, 7250 PSI



15°                      40°                      0°

Part #	Description	Orifice	Degree	List Price
8116.1038.40	Nozzle, Meg	038	40	\$650.76
8116.1040.00	Nozzle, Meg	040	0	\$151.84
8116.1040.15	Nozzle, Meg	040	15	\$584.99
8116.1049.40	Nozzle, Meg	049	40	\$650.76
8116.1050.00	Nozzle, Meg	050	0	\$151.84
8116.1050.15	Nozzle, Meg	050	15	\$67.79
8116.1055.00	Nozzle, Meg	055	0	\$554.15
8116.1055.15	Nozzle, Meg	055	15	\$584.99
8116.1055.40	Nozzle, Meg	055	40	\$650.76

\*See Chart on Page 89 for Sizing

## NOZZLE-Ceramic QC & Meg



- Ceramic Orifice
- 1/4" QC Plug or Meg Connector
- 5075 PSI
- 300° F
- Box Qty 10



Part #	Description	List Price
8113.31XX.YY	Quick Disconnect Spray Nozzle	\$25.80
8113.30XX.YY	Meg Spray Nozzle	\$22.08

\*Complete Below Part # Using Table

Orifice	0° Red	15° Yellow	25° Green	40° White
3.0	3X08.00	3X09.00	3X10.00	3X11.00
3.5	3X12.00	3X13.00	3X14.00	3X15.00
4.0	3X16.00	3X17.00	3X18.00	3X19.00
4.5	3X20.00	3X21.00	3X22.00	3X23.00
5.0	3X24.00	3X25.00	3X26.00	3X27.00
5.5	3X28.00	3X29.00	3X30.00	3X31.00
6.0	3X32.00	3X33.00	3X34.00	3X35.00

## NOZZLE-QC 5 Pack



Part #	Description	List Price
8113.1030.99	Nozzle Kit 030	\$29.46
8113.1035.99	Nozzle Kit 035	\$29.46
8113.1040.99	Nozzle Kit 040	\$29.46
8113.1045.99	Nozzle Kit 045	\$29.46
8113.1050.99	Nozzle Kit 050	\$29.46
8113.1055.99	Nozzle Kit 055	\$29.46
8113.1060.99	Nozzle Kit 060	\$29.46

\*Other sizes available upon request

## NOZZLE-QC & Meg



- High Grade Stainless Steel
- 1/4" QC Plug of Meg Connector



Part #	Description	List Price
8113.1XXX.YY	Quick Disconnect Spray Nozzle	\$6.26
8114.1XXX.YY	Meg Spray Nozzle	\$6.26

\*Complete Below Part # Using Table

Orifice	0° Red	15° Yellow	25° Green	40° White
2.0	1020.00	1020.15	1020.25	1020.40
2.5	1025.00	1025.15	1025.25	1025.40
3.0	1030.00	1030.15	1030.25	1030.40
3.5	1035.00	1035.15	1035.25	1035.40
4.0	1040.00	1040.15	1040.25	1040.40
4.5	1045.00	1045.15	1045.25	1045.40
5.0	1050.00	1050.15	1050.25	1050.40
5.5	1055.00	1055.15	1055.25	1055.40
6.0	1060.00	1060.15	1060.25	1060.40
6.5	1065.00	1065.15	1065.25	1065.40
7.0	1070.00	1070.15	1070.25	1070.40
7.5	1075.00	1075.15	1075.25	1075.40
8.0	1080.00	1080.15	1080.25	1080.40
8.5	1085.00	1085.15	1085.25	1085.40
9.0	1090.00	1090.15	1090.25	1090.40
9.5	1095.00	1095.15	1095.25	1095.40
10.0	1100.00	1100.15	1100.25	1100.40

## NOZZLES-Rotating Rotomax™



- 176° F Max
- 1/4" FPT Inlet
- See Descriptions for Sizing

Part #	Description	List Price
8110.1401.00	(Red) 2.1-2.6 GPM, 1450-3500 PSI	\$213.00
8110.1402.00	(Blue) 2.9-4.0 GPM, 1450-3500 PSI	\$213.00
8110.1403.00	(Black) 4.2-5.5 GPM, 1450-3500 PSI	\$213.00

## NOZZLES-Rotating Hi/Lo Turbo



- 2500 PSI
- 140° F
- 1/4" F Inlet
- Hi-Lo for Chemical Injection

Part #	Description	List Price
8108.8490.00	Nozzle, 040 MV #0204009030	\$46.41
8108.8491.00	Nozzle, 045 MV #0204009040	\$46.41

## NOZZLES-Rotating 2500



- Economy Rotating Nozzle
- 2500 PSI
- 140° F
- 1/4" F Inlet

Part #	Description	List Price
8111.1444.00	ROTOJET 025 Orifice Lt. Green MV #0204007900	\$44.20
8111.1440.00	ROTOJET 030 Orifice Yellow MV #0204007910	\$44.20
8111.1441.00	ROTOJET 035 Orifice Black MV #0204007920	\$44.20
8111.1442.00	ROTOJET 040 Orifice Blue MV #0204007930	\$44.20
8111.1443.00	ROTOJET 045 Orifice Dark Green MV #0204007940	\$44.20

## NOZZLES-Triple Function



- 3000 PSI
- 210° F
- Rotating
- High Pressure 15°
- Low pressure for Chemical Injection

Part #	Description	List Price
8108.9100.00	Nozzle, 035 MV #0204009200	\$285.25
8108.8495.00	Nozzle, 040 MV #0204009210	\$285.25

## NOZZLES-Rotating Compact



- 3000 PSI
- 210° F
- 1/4" F Inlet
- Box Qty 5

Part #	Description	List Price
8108.8450.00	Nozzle, 030 MV #0204005620	\$72.98
8108.8450.01	Repair Kit, 030 MV #0204105620	\$57.39
8108.8451.00	Nozzle, 035 MV #0204005630	\$72.98
8108.8451.01	Repair Kit, 035 MV #0204105630	\$57.39
8108.8452.00	Nozzle, 040 MV #0204005640	\$72.98
8108.8452.01	Repair Kit, 040 MV #0204105640	\$57.39



## NOZZLES-Rotating 3700 PSI



- Concentrated Straight Stream in a Conical Pattern
- 3700 PSI
- 210° F Max.
- 1/4" F Inlet
- **Box Qty 5**

Part #	Description	Orifice	List Price
8111.1429.00	ROTOJET 3700-030 MV #0204007320	030	\$110.00
8111.1430.00	ROTOJET 3700-035 MV #0204007330	035	\$110.00
8111.1431.00	ROTOJET 3700-040 MV #0204007340	040	\$110.00
8111.1432.00	ROTOJET 3700-045 MV #0204007350	045	\$110.00
8111.1433.00	ROTOJET 3700-050 MV #0204007360	050	\$110.00
8111.1434.00	ROTOJET 3700-055 MV #0204007370	055	\$110.00
8111.1435.00	ROTOJET 3700-060 MV #0204007380	060	\$110.00
8108.9092.00	ROTOJET 3700-065 MV #0204007390	065	\$110.00
8108.9093.00	ROTOJET 3700-070 MV #0204007400	070	\$110.00
8111.1436.00	ROTOJET 3700-080 MV #0204007420	080	\$110.00

### ROTOJET 3600 Repair Kits



Part #	Description	List Price
8111.1429.01	ROTOJET 3700-030 Kit MV #0204107320	\$78.13
8111.1430.01	ROTOJET 3700-035 Kit MV #0204107330	\$78.13
8111.1431.01	ROTOJET 3700-040 Kit MV #0204107340	\$78.13
8111.1432.01	ROTOJET 3700-045 Kit MV #0204107350	\$78.13
8111.1433.01	ROTOJET 3700-050 Kit MV #0204107360	\$78.13
8111.1434.01	ROTOJET 3700-055 Kit MV #0204107370	\$78.13
8111.1435.01	ROTOJET 3700-060 Kit MV #0204107380	\$78.13
8108.9111.00	ROTOJET 3700-065 Kit MV #0204107390	\$78.13
8108.9112.00	ROTOJET 3700-070 Kit MV #0204107400	\$78.13
8111.1436.01	ROTOJET 3700-080 Kit MV #0204107420	\$78.13

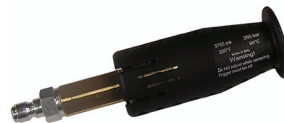
## NOZZLES-Rotating Soft/Hard



- 3700 PSI
- 200° F
- Cleans Soft and Hard Surfaces
- 1/4" F Inlet
- **Box Qty 5**

Part #	Description	List Price
8108.9079.00	Nozzle, 030 MV #0204006120	\$126.12
8108.9080.00	Nozzle, 035 MV #0204006130	\$126.12
8108.9081.00	Nozzle, 040 MV #0204006140	\$126.12
8108.9082.00	Nozzle, 045 MV #0204006150	\$126.12

## NOZZLES-Soft/Hard w/Filter



- 3700 PSI
- 200° F
- 040 Nozzle
- QC Plug Inlet

Part #	Description	List Price
8108.7010.00	Nozzle, Soft/Hard w/HP Filter MV #0204906140	\$179.29

## NOZZLES-Rotating, Yellow



- 3700 PSI
- 212° F
- 1/4" F Inlet

Part #	Description	List Price
8108.9091.00	Nozzle, 030 MV #0204007325	\$111.79
8108.8470.00	Nozzle, 040 MV #0204007345	\$111.79
8108.8005.00	Nozzle, 070 MV #0204007405	\$111.79
8108.9026.00	Cover MV #0183740450	\$7.61

## NOZZLES-Rotating



- 4000 PSI
- 212° F
- 1/4" F Inlet

Part #	Description	List Price
8402.1401.00	Nozzle, 035	\$83.22
8402.1402.00	Nozzle, 040	\$83.22
8402.1403.00	Nozzle, 045	\$83.22
8402.1404.00	Nozzle, 050	\$83.22
8402.1405.00	Nozzle, 055	\$83.22
8402.1406.00	Nozzle, 060	\$83.22



## NOZZLES-Rotating 4500 PSI



- Concentrated Straight Stream in a Conical Pattern
- 4500 PSI
- 210° F Max.
- 1/4" F Inlet
- **Box Qty 5**

Part #	Description	Orifice	List Price
8111.1456.00	ROTOJET 4500-030 MV #0204006500	030	\$151.60
8111.1457.00	ROTOJET 4500-035 MV #0204006505	035	\$151.60
8111.1450.00	ROTOJET 4500-040 MV #0204006510	040	\$151.60
8111.1451.00	ROTOJET 4500-045 MV #0204006515	045	\$151.60
8111.1452.00	ROTOJET 4500-050 MV #0204006520	050	\$151.60
8111.1453.00	ROTOJET 4500-055 MV #0204006525	055	\$151.60
8111.1454.00	ROTOJET 4500-060 MV #0204006530	060	\$151.60
8108.9083.00	ROTOJET 4500-065 MV #0204006535	065	\$151.60
8111.1455.00	ROTOJET 4500-070 MV #0204006540	070	\$151.60

## NOZZLES-Kits 4500 PSI

### ROTOJET 4500 Repair Kits



Part #	Description	List Price
8111.1456.01	ROTOJET 4500-030 Kit MV #0204106500	\$115.76
8111.1457.01	ROTOJET 4500-035 Kit MV #0204106505	\$115.76
8111.1450.01	ROTOJET 4500-040 Kit MV #0204106510	\$115.76
8111.1451.01	ROTOJET 4500-045 Kit MV #0204106515	\$115.76
8111.1452.01	ROTOJET 4500-050 Kit MV #0204106520	\$115.76
8111.1453.01	ROTOJET 4500-055 Kit MV #0204106525	\$115.76
8111.1454.01	ROTOJET 4500-060 Kit MV #0204106530	\$115.76
8108.9105.00	ROTOJET 4500-065 Kit MV #0204106535	\$115.76
8111.1455.01	ROTOJET 4500-070 Kit MV #0204106540	\$115.76

## NOZZLES-Rotating TPL



- 4200 PSI
- 194° F
- 1/4" F Inlet
- **Box Qty 5**

Part #	Description	List Price
8111.1470.00	Nozzle, 1.00, 027, Gray MV #0204009900	\$79.49
8111.1471.00	Nozzle, 1.10, 033, Red MV #0204009910	\$79.49
8111.1472.00	Nozzle, 1.20, 040, Yellow MV #0204009920	\$79.49
8111.1473.00	Nozzle, 1.30, 045, Green MV #0204009930	\$79.49
8111.1474.00	Nozzle, 1.40, 052, Blue MV #0204009940	\$79.49

## NOZZLES-Rotating w/Controller



- 5000 PSI
- 200° F
- 1/4" F Inlet
- With Speed Control

Part #	Description	List Price
8108.9073.00	Nozzle, 030 MV #0204006000	\$373.65
8108.9074.00	Nozzle, 035 MV #0204006005	\$373.65
8108.9075.00	Nozzle, 040 MV #0204006010	\$373.65
8108.9076.00	Nozzle, 045 MV #0204006015	\$373.65
8108.9077.00	Nozzle, 050 MV #0204006020	\$373.65
8108.9078.00	Nozzle, 055 MV #0204006025	\$373.65

### Nozzle w/Controller Repair Kits



Part #	Description	List Price
8108.9101.00	Nozzle, 035 Kit MV #0204106005	\$266.38
8108.9102.00	Nozzle, 040 Kit MV #0204106010	\$266.38
8108.9103.00	Nozzle, 045 Kit MV #0204106015	\$266.38
8108.9104.00	Nozzle, 050 Kit MV #0204106020	\$266.38

## NOZZLES-Rotating 5800 PSI



- 5800 PSI
- 200° F Max.
- 1/4" F Inlet
- **Box Qty 5**
- Concentrated Straight Stream in a Conical Pattern

Part #	Description	Orifice	List Price
8111.1400.00	ROTOJET 5800-030 MV #0204006900	030	\$243.00
8111.1401.00	ROTOJET 5800-035 MV #0204006905	035	\$243.00
8111.1402.00	ROTOJET 5800-040 MV #0204006910	040	\$243.00
8111.1403.00	ROTOJET 5800-045 MV #0204006915	045	\$243.00
8111.1404.00	ROTOJET 5800-050 MV #0204006920	050	\$243.00
8111.1405.00	ROTOJET 5800-055 MV #0204006925	055	\$243.00
8111.1406.00	ROTOJET 5800-060 MV #0204006930	060	\$243.00
8108.9087.00	ROTOJET 5800-065 MV #0204006935	065	\$243.00
8111.1407.00	ROTOJET 5800-070 MV #0204006940	070	\$243.00
8108.9088.00	ROTOJET 5800-075 MV #0204006945	075	\$243.00
8111.1408.00	ROTOJET 5800-080 MV #0204006950	080	\$243.00
8111.1410.00	ROTOJET 5800-090 MV #0204006960	090	\$243.00
8111.1411.00	ROTOJET 5800-100 MV #0204006970	100	\$243.00
8111.1412.00	ROTOJET 5800-110 MV #0204006980	110	\$243.00
8111.1409.00	ROTOJET 5800-120 MV #0204006990	120	\$243.00
8108.7001.00	ROTOJET 5800-140 MV #0204007010	140	\$271.00
8111.1413.00	ROTOJET 5800-150 MV #0204007020	150	\$308.00
8108.9089.00*	ROTOJET 5800-150 MV #0204007021	150	\$271.00
8108.9090.00	ROTOJET 5800-200 MV #0204007070	200	\$308.00

\*25 DEGREE

## NOZZLES-Kits 5800 PSI

### ROTOJET 5800 Repair Kits



Part #	Description	List Price
8111.1400.01	ROTOJET 5800-030 Kit MV #0204106900	\$113.79
8111.1401.01	ROTOJET 5800-035 Kit MV #0204106905	\$113.79
8111.1402.01	ROTOJET 5800-040 Kit MV #0204106910	\$113.79
8111.1403.01	ROTOJET 5800-045 Kit MV #0204106915	\$113.79
8111.1404.01	ROTOJET 5800-050 Kit MV #0204106920	\$113.79
8111.1405.01	ROTOJET 5800-055 Kit MV #0204106925	\$113.79
8111.1406.01	ROTOJET 5800-060 Kit MV #0204106930	\$113.79
8108.9107.00	ROTOJET 5800-065 Kit MV #0204106935	\$113.79
8111.1407.01	ROTOJET 5800-070 Kit MV #0204106940	\$113.79
8108.9108.00	ROTOJET 5800-075 Kit MV #0204106945	\$113.79
8111.1408.01	ROTOJET 5800-080 Kit MV #0204106950	\$113.79
8111.1410.01	ROTOJET 5800-090 Kit MV #0204106960	\$113.79
8111.1411.01	ROTOJET 5800-100 Kit MV #0204106970	\$113.79
8111.1412.01	ROTOJET 5800-110 Kit MV #0204106980	\$113.79
8111.1409.01	ROTOJET 5800-120 Kit MV #0204106990	\$113.79
8108.7001.01	ROTOJET 5800-140 Kit MV #0204107010	\$188.17
8111.1413.01	ROTOJET 5800-150 Kit MV #0204107020	\$191.92
8108.9109.00	ROTOJET 5800-200 Kit MV #0204107070	\$188.17
8108.9004.00	Cover MV #0103740000	\$16.11

### Gallons per Minute

#### Nozzle size for Rotating Nozzles

PSI	030	035	040	045	050	055	060	070	080	120
3000	2.60	3.03	3.46	3.90	4.33	4.76	5.20	6.06	6.93	10.39
3700	2.89	3.37	3.85	4.33	4.81	5.29	5.77	6.73	7.69	11.54
4000	3.00	3.50	4.00	4.50	5.00	5.50	6.00	7.00	8.00	12.00
4500	3.18	3.71	4.24	4.77	5.30	5.83	6.36	7.42	8.49	12.73
5000	3.35	3.91	4.47	5.03	5.59	6.15	6.71	7.83	8.94	13.42
5800	3.61	4.21	4.82	5.42	6.02	6.62	7.22	8.43	9.63	14.45

## NOZZLES-Rotating UR25



- 1.6 GPM Min (03-1150 PSI)
- 7.7 GPM Max (08-3600 PSI)
- 3650 PSI
- 212° F Max.
- 1/4" F Inlet
- **Box Qty 5**

Part #	Description	Orifice	List Price
8116.1430.50	UR25 Replacement Cover		\$17.93
8116.1430.00	UR Nozzle 3650-030	030	\$111.90
8116.1431.00	UR Nozzle 3650-035	035	\$111.90
8116.1432.00	UR Nozzle 3650-040	040	\$111.90
8116.1433.00	UR Nozzle 3650-045	045	\$111.90
8116.1434.00	UR Nozzle 3650-050	050	\$111.90
8116.1435.00	UR Nozzle 3650-055	055	\$111.90
8116.1436.00	UR Nozzle 3650-060	060	\$111.90
8116.1437.00	UR Nozzle 3650-065	065	\$111.90
8116.1438.00	UR Nozzle 3650-070	070	\$111.90
8116.1439.00	UR Nozzle 3650-080	080	\$111.90

## NOZZLES-Rotating UR32



- 2.4 GPM Min (03-2600 PSI)
- 9.0 GPM Max (08-5100 PSI)
- 5100 PSI
- 212° F Max.
- 1/4" F Inlet
- **Box Qty 5**

Part #	Description	Orifice	List Price
8116.1450.50	UR32 Replacement Cover		\$17.63
8116.1450.00	UR Nozzle 5100-030	030	\$156.40
8116.1451.00	UR Nozzle 5100-035	035	\$156.40
8116.1452.00	UR Nozzle 5100-040	040	\$156.40
8116.1453.00	UR Nozzle 5100-045	045	\$156.40
8116.1454.00	UR Nozzle 5100-050	050	\$156.40
8116.1455.00	UR Nozzle 5100-055	055	\$156.40
8116.1456.00	UR Nozzle 5100-060	060	\$156.40
8116.1457.00	UR Nozzle 5100-065	065	\$156.40
8116.1458.00	UR Nozzle 5100-070	070	\$156.40
8116.1459.00	UR Nozzle 5100-080	080	\$156.40

### UR Nozzle Repair Kits

Part #	Description	List Price
8116.1430.01	UR Nozzle Repair Kit 030	\$73.38
8116.1431.01	UR Nozzle Repair Kit 035	\$73.38
8116.1432.01	UR Nozzle Repair Kit 040	\$73.38
8116.1433.01	UR Nozzle Repair Kit 045	\$73.38
8116.1434.01	UR Nozzle Repair Kit 050	\$73.38
8116.1435.01	UR Nozzle Repair Kit 055	\$73.38
8116.1436.01	UR Nozzle Repair Kit 060	\$73.38
8116.1437.01	UR Nozzle Repair Kit 065	\$73.38
8116.1438.01	UR Nozzle Repair Kit 070	\$73.38
8116.1439.01	UR Nozzle Repair Kit 080	\$73.38

## NOZZLES-Rotating



- 7250 PSI
- 210° F Max.
- 1/4" F Inlet

Part #	Description	List Price
8108.8460.00	Nozzle, 030 MV #0204006800	\$1537.00
8108.8460.01	Repair Kit, Nozzle, 030 MV #4059900000	\$835.62
8108.9084.00	Nozzle, 050 MV #0204006820	\$1537.00
8108.9084.01	Repair Kit, Nozzle, 050 MV #4059900004	\$852.34
8108.9085.00	Nozzle, 070 MV #0204006840	\$1537.00
8108.9085.01	Repair Kit, Nozzle, 070 MV #4059900008	\$852.34
8108.9086.00	Nozzle, 080 MV #0204006850	\$1537.00
8108.9086.01	Repair Kit, Nozzle, 080 MV #4059900010	\$1334.23

\*See Nozzle Formulas on Page 89 for Sizing

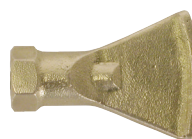
## NOZZLES-Sewer



- 300° F
- Stainless Steel
- Forward Blast to Clear Debris
- Backward Blast to Flush

Part #	Description	List Price
8108.3009.00	1/4 FPT, 5000 PSI, Size #4.0 MV #0124722240	\$25.02
8402.3010.00	1/4 FPT, 4000 PSI, Size #4.5	\$8.32
8402.3011.00	1/4 FPT, 4000 PSI, Size #6.5	\$8.32
8402.3012.00	1/4 FPT, 4000 PSI, Size #11	\$8.32
8108.3109.00	1/8 FPT, 5000 PSI, Size #4.0 MV #0124722200	\$19.29
8402.3110.00	1/8 FPT, 4000 PSI, Size #4.5	\$5.47
8402.3111.00	1/8 FPT, 4000 PSI, Size #6.5	\$5.47
8402.3112.00	1/8 FPT, 4000 PSI, Size #11	\$5.47

## NOZZLES-Steam



- 1450 PSI
- 1.5mm Orifice
- 1/4" BSP Inlet
- Brass

Part #	Description	List Price
8102.2620.00	Steam Nozzle	\$14.44

## NOZZLES-Variable Hi/Lo



- 3000 PSI
- 300° F
- 1/4" Inlet
- With Inscriptions

Part #	Description	List Price
8108.9094.00	Nozzle, .27, Violet MV #0204008800	\$21.77
8108.9095.00	Nozzle, .30, Yellow MV #0204008805	\$21.77
8108.9096.00	Nozzle, .35, White MV #0204008810	\$21.77
8108.8401.00	Orifice, .27 MV #0124720280	\$3.72
8108.9005.00	Dot, Violet MV #0105740100	\$1.16

## NOZZLES-Variable Idro-Jet



- 8 GPM
- 3200 PSI
- 300° F
- 1/4" F Inlet
- **Box Qty 10**

Part #	Description	List Price
8108.8480.00	Vari Nozzle, 1.10, White MV #0204008510	\$27.12

## NOZZLES-Vari Hi/Lo Idro-Jet 2



- Twist Spray Angle Adjustment
- Push/Pull Pressure Adjustment
- 8 GPM
- 3200 PSI
- 300° F Max.
- **Box Qty 10**

Part #	Description	List Price
8108.1419.00	Nozzle Replacement Body MV #0204200040	\$30.05
8108.1420.00	1.05 mm Orifice, Yellow Dot MV #0204008000	\$32.54
8108.1421.00	1.10 mm Orifice, White Dot MV #0204008010	\$32.54
8108.1422.00	1.15 mm Orifice, Red Dot MV #0204008020	\$32.54
8108.1423.00	1.20 mm Orifice, Blue Dot MV #0204008030	\$32.54
8108.1424.00	1.25 mm Orifice, Brown Dot MV #0204008040	\$32.54
8108.1425.00	1.30 mm Orifice, Orange Dot MV #0204008050	\$32.54
8108.1426.00	1.35 mm Orifice, Green Dot MV #0204008060	\$32.54
8108.1427.00	1.40 mm Orifice, Lt. Blue Dot MV #0204008070	\$32.54
8108.1428.00	1.45 mm Orifice, Black Dot MV #0204008080	\$32.54
8108.1429.00	1.50 mm Orifice, Gray Dot MV #0204008090	\$32.54
8108.1430.00	1.60 mm Orifice, Dk. Green Dot MV #0204008100	\$32.54

## Sizing Chart for Hi-Lo Vari Nozzles

NOZZLE #	Dia. MM	PRESSURE - PSI										
		600	700	800	900	1000	1200	1500	1800	2000	2500	3000
027	1.00	1.10	1.16	1.25	1.30	1.35	1.47	1.67	1.82	1.93	2.18	2.37
030	1.05	1.22	1.30	1.37	1.45	1.52	1.66	1.86	2.04	2.16	2.42	2.64
035	1.10	1.35	1.43	1.52	1.60	1.68	1.84	2.06	2.26	2.39	2.67	2.91
037	1.15	1.55	1.63	1.72	1.80	1.88	2.03	2.25	2.46	2.59	2.90	3.17
040	1.20	1.60	1.70	1.80	1.90	2.00	2.19	2.45	2.69	2.84	3.17	3.44
043	1.25	1.72	1.83	1.94	2.05	2.16	2.36	2.64	2.90	3.06	3.41	3.70
046	1.30	1.85	1.97	2.09	2.21	2.32	2.54	2.84	3.12	3.29	3.66	3.96
050	1.35	1.97	2.10	2.23	2.36	2.48	2.71	3.04	3.34	3.52	3.92	4.23
053	1.40	2.09	2.23	2.37	2.51	2.63	2.89	3.23	3.55	3.74	4.16	4.49
056	1.45	2.22	2.37	2.52	2.66	2.80	3.06	3.43	3.77	3.97	4.41	4.76
060	1.50	2.34	2.50	2.66	2.81	2.96	3.24	3.63	3.99	4.20	4.66	5.02
065	1.60	2.52	2.72	2.91	3.08	3.25	3.56	3.98	4.36	4.60	5.14	5.63

Gallons per Minute



## ORIFICES-Replacement IdroJet

Part #	Description	List Price
8108.1420.01	1.05 mm Orifice MV #0124720290	\$4.29
8108.1421.01	1.10 mm Orifice MV #0124720080	\$4.29
8108.1422.01	1.15 mm Orifice MV #0124720170	\$4.29
8108.1423.01	1.20 mm Orifice MV #0124720090	\$4.29
8108.1424.01	1.25 mm Orifice MV #0124720150	\$4.29
8108.1425.01	1.30 mm Orifice MV #0124720100	\$4.29
8108.1426.01	1.35 mm Orifice MV #0124720180	\$4.29
8108.1427.01	1.40 mm Orifice MV #0124720110	\$4.29
8108.1428.01	1.45 mm Orifice MV #01247200260	\$4.29
8108.1429.01	1.50 mm Orifice MV #0124720120	\$4.29
8108.1430.01	1.60 mm Orifice MV #0124720130	\$4.29

## DOTS-Replacement IdroJet

Part #	Description	List Price
8108.1420.02	Yellow Dot for 1.05mm MV #0105740000	\$1.07
8108.1421.02	White Dot for 1.10mm MV #0105740010	\$1.07
8108.1422.02	Red Dot for 1.15mm MV #0105740020	\$1.07
8108.1423.02	Blue Dot for 1.20mm MV #0105740030	\$1.07
8108.1424.02	Brown Dot for 1.25mm MV #0105740050	\$1.07
8108.1425.02	Orange Dot for 1.30mm MV #0105740060	\$1.07
8108.1426.02	Green Dot for 1.35mm MV #0105740040	\$1.07
8108.1427.02	Lt. Blue Dot for 1.40mm MV #0105740070	\$1.07
8108.1428.02	Black Dot for 1.45mm MV #0105740080	\$1.07
8108.1429.02	Gray Dot for 1.50mm MV #0105740090	\$1.07
8108.1430.02	Dk. Green Dot for 1.60mm MV #0105740110	\$1.07

## NOZZLE-Vari Hi/Lo Idro-Jet



- 3200 PSI
- 300° F
- Finger Protection
- Hi/Lo Variable Spray

Part #	Description	List Price
8108.9067.00	Nozzle, 1.05 MV #0204001005	\$35.17
8108.9068.00	Nozzle, 1.10 MV #0204001010	\$35.17
8108.9069.00	Nozzle, 1.20 MV #0204001020	\$35.17
8108.9070.00	Nozzle, 1.30 MV #0204001030	\$35.17
8108.9071.00	Nozzle, 1.35 MV #0204001035	\$35.17

## OIL-Comet Pumps



- Specially Formulated for use in all High-Pressure Industrial Piston Pumps
- Universal Tractor Transmission Oil (UTTO)
- 30 Wt. Non-Detergent & Non-Foaming

Part #	Description	List Price
8102.1801.00	Pump Oil, 32 oz. Bottle	\$10.43
8102.1802.00	Pump Oil, Case of 12 Bottles	\$125.11

**Comet Industrial Pump Oil is a special formulated non-detergent, non-foaming oil, which is AW100 rated for superior oxidation protection. Comet recommends changing pump oil after the initial 50 hours of operation and every 300 hours thereafter.**

## OIL-HPP Pumps

Part #	Description	List Price
8102.1811.00	Pump Oil, 2.5 Gal. Bottle	\$109.66
8102.1812.00	Pump Oil, Case of 2 Bottles	\$219.31

## PACKING EXTRACTOR



- For Comet™ Pumps
- Slide Hammer

Part #	Description	List Price
0899.0004.00	Extractor Tool, 15 & 18mm	\$151.07
0899.0005.00	Extractor Tool, 20, 22 & 25mm	\$159.59
0899.0006.00	Extractor Hammer	\$184.64
0899.0007.00	Extractor Kit	\$478.52

## PACKING INSERTION



- Increase Efficiency in Pump Repair
- Industrial Grade Materials

Part #	Description	List Price
3335.0023.00	Packing Kit LW, ZW, FW & HW	\$644.00

## PULSATION DAMPENERS



- 3100 PSI
- 580 PSI Precharge
- 180° F Max.

Part #	Description	List Price
8107.3200.00	Accumulator, .02 Gal., 3/8" FPT Flow 0-6.6 GPM	\$218.60
8107.3201.00	Accumulator, .09 Gal., 1/2" FPT Flow 6.6-18.5 GPM	\$234.00
8107.3202.00	Accumulator, .09 Gal., 3/8" FPT Flow 6.6-18.5 GPM	\$234.00

## SAND BLASTER-Commercial



- 11 GPM
- 3600 PSI
- 200°

Part #	Description	List Price
8108.1901.00	TS33-1.4 Head Assy 1.4 mm MV #0204005020	\$161.92
8108.1903.00	TS33-1.6 Head Assy 1.6 mm MV #0204005040	\$161.92
8108.1905.00	Sand Blast Suction Tube MV #0213000000	\$18.25
8108.1900.02	Pressure Nozzle, 1.2 mm MV #0124720310	\$15.29
8108.1901.02	Pressure Nozzle, 1.4 mm MV #0124720320	\$15.29
8108.1902.02	Pressure Nozzle, 1.5 mm MV #0124720330	\$15.29
8108.1903.02	Pressure Nozzle, 1.6 mm MV #0124720330	\$15.29
8108.1900.01	Alignment Nozzle, 1.2 mm MV #0124710250	\$6.76
8108.1901.01	Alignment Nozzle, 1.4 mm MV #0124710260	\$6.76
8108.1902.01	Alignment Nozzle, 1.5 mm MV #0124710270	\$6.76
8108.1903.01	Alignment Nozzle, 1.6 mm MV #0124710280	\$6.76
8108.1906.00	Carbide Insert MV #0124700000	\$94.29

## SAND BLASTER-Wet, Industrial



- 10 GPM Maximum
- 3 GPM Minimum
- Up to 3500 PSI use 15° tip
- 3500-5500 PSI use 0° tip
- 1500 PSI Minimum Working Pressure

Part #	Description	List Price
8103.1901.00	Wet Sand Blast Kit, Complete	\$270.00
8103.1902.00	Sand Probe	\$21.65
8103.1903.00	Tungsten Carbide Nozzle	\$137.14
8103.1913.00	Tip Adapter	\$8.89
8103.1908.00	5/16" x 1" Thumb Screw	\$1.48
8103.1911.00	Sandmiser Valve	\$4.67

## SLUDGE PUMPS



- 4.8 GPM
- 3700 PSI
- 300° F Max.
- 20' Hose; 35mm ID

Part #	Description	List Price
8000.4000.35	Sludge Pump, 035 Nozzle MV #0213000500	\$275.26
8000.4000.40	Sludge Pump, 040 Nozzle	\$275.26
8000.4000.45	Sludge Pump, 045 Nozzle MV #0213000510	\$275.26
8000.4000.50	Sludge Pump, 050 Nozzle MV #0213000520	\$275.26
8000.4000.55	Sludge Pump, 055 Nozzle MV #0213000530	\$275.26
8000.4000.60	Sludge Pump, 060 Nozzle MV #0213000540	\$275.26
<b>Sludge Pumps Without Hose</b>		
8108.7019.00	Sludge Pump, 035 w/o Hose MV #0213000600	\$164.55
8108.9132.00	Sludge Pump, 045 w/o Hose MV #0213000610	\$164.55
8108.7020.00	Sludge Pump, 050 w/o Hose MV #0213000620	\$164.55
8108.9133.00	Sludge Pump, 055 w/o Hose MV #0213000630	\$164.55
8108.7021.00	Sludge Pump, 060 w/o Hose MV #0213000640	\$164.55
<b>Other Parts</b>		
8000.4001.40	Nozzle, 040	\$16.73
8000.4000.46	Nozzle, 045 MV #0124710430	\$16.73
8000.4000.56	Nozzle, 055 MV #0124710450	\$16.73
8000.4000.90	Clamp	\$1.77
8000.4000.95*	Hose, Sludge Pump	\$97.45

\*Can be ordered to specific length up to 100'

## SURFACE CLEANER-3000 PSI



- 4 GPM
- 3000 PSI
- 140° F
- M22M Inlet
- 035 Nozzle

Part #	Description	List Price
8108.8012.00	Surface Cleaner, w/Wheels MV #0207002013	\$337.85
8108.8012.01	Nozzle, Surface Cleaner 15015 MV #0124720842	\$30.89
8108.8010.00	Surface Cleaner, No Wheels MV #0207000013	\$326.31
8108.9006.00	Spray Bar, Surface Cleaner 045 MV #0109000340	\$113.50
8108.8014.00	Wheel Replacement Kit MV #0207102010	\$19.76
8108.8013.00	Wheel Conversion Kit MV #0207102000	\$26.73
8108.9008.00	Brush for 8108.8012.00 MV #0109740160	\$39.74
8108.9007.00	Brush for 8108.8010.00 MV #0109740090	\$23.09

## SURFACE CLEANER-Whirl-A-Way



- 8 GPM Max.
- 4000 PSI Max.
- 180° F
- UV Resistant Dome
- Rebuildable Swivel
- Industrial Duty

Part #	Description	List Price
8102.2401.00	Surface Cleaner, 16" Dia., w/Brush <b>Replacement Parts</b>	\$905.00
8102.2454.00	16 Rotary Head	\$377.00
8102.2470.01	Trigger Gun 16	\$62.52
8102.2462.00	16 Skirt, Nylon	\$103.75
8102.2470.00	16 Replacement Spray Bar	\$26.88
8102.2450.00	16 Rotary Head Mounting Bracket	\$23.80
8102.2461.00	Replacement Hose	\$42.12

\*For additional parts contact Comet

## SURFACE CLEANER-12"



- 8 GPM
- 4000 PSI
- 180° F

Part #	Description	List Price
8102.2407.00	Surface Cleaner, 12"	\$317.00

## SWITCHES-Flow, MV 60



- 8 GPM
- 5660 PSI
- 176° F Max Fluid
- 167° F Max Environment
- 12v - 250v, 3 Amp
- 3/8" F In/Outlet
- 62" Cable
- **Box Qty 20**

Part #	Description	List Price
8108.2211.00	Flow Switch, Horizontal MV #4090200002	\$105.67
8108.2210.00	Flow Switch, Vertical MV #4090200001	\$101.57
8108.2209.00	Replacement Reed Switch MV #0199700000	\$53.01

## SWITCHES-Pressure PS6



- 3-Wire Design, 47" Cable
- 4060 PSI
- 195° F Max Fluid
- 167° F Max Environment
- 12v - 250v, 16 Amp
- 218, 363 & 652 PSI Switching Pressure
- **Box Qty 20**

Part #	Description	List Price
8108.2203.00	Switch, 218 PSI, 1/4" M, Blue MV #0205007000	\$43.85
8108.2204.00	Switch, 218 PSI, 3/8" M, Blue MV #4090002001	\$43.85
8108.2205.00	Switch, 363 PSI, 1/4" M, Red MV #0205007010	\$43.85
8108.2206.00	Switch, 363 PSI, 3/8" M, Red MV #0205007030	\$43.85
8108.2207.00	Switch, 652 PSI, 1/4" M, Black MV #0205007020	\$43.85
8108.2208.00	Switch, 652 PSI, 3/8" M, Black MV #0205007040	\$43.85

## SWITCHES-Pressure PR16



- 4050 PSI
- 165° F
- 12v - 250v, 16 Amp
- 580 PSI Switching Pressure
- 3/8" M In/Outlet
- 39" Cable
- **Box Qty 20**

Part #	Description	List Price
8116.2203.00	Switch, Pressure, Black	\$41.52



## SWITCHES-Vacuum



- 131° F Max Fluid
- 180° F Max Environment
- 1/4" FNPT Port
- 230v, 16 Amp
- **Box Qty 60**

**\*For Water use Only**

Part #	Description	List Price
8107.2211.00	Vacuum Switch, (Size 1.5)	\$49.48
8107.2212.00	Vacuum Switch, (Size 2.0)	\$49.48
8107.2213.00	Vacuum Switch, (Size 2.5)	\$49.48
8107.2216.00	Vacuum Switch, (Size 4.0)	\$49.48
8107.2217.00	Vacuum Switch, (Size 4.5)	\$49.48

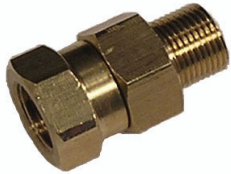
## SWIVEL-High Pressure



- 10.5 GPM Max.
- 5650 PSI Max.
- 320° F Max, Rated (Continuous Use)
- 194° F Max, Working Temp (For Short Periods)
- 3/8" MNPT x 3/8" FNPT
- **Box Qty 10**

Part #	Description	List Price
8116.3503.00	Swivel, Straight, Stainless Steel	\$92.35

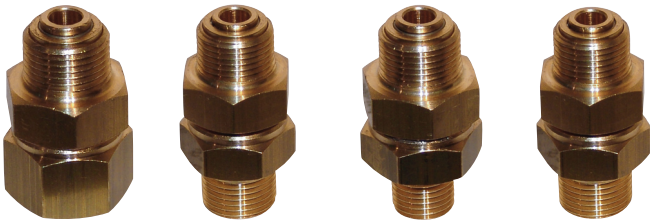
## SWIVEL-High Pressure



- 10.5 GPM Max.
- 4100 PSI
- 300° F Max
- 3/8" F x 3/8" M
- **Box Qty 20**

Part #	Description	List Price
8402.3501.00	Swivel, High Pressure, Brass	\$11.24

## SWIVEL-SW Pro



- 8 GPM • 3650 PSI • 302° F • Brass • **Box Qty 10**
- \*\*\*Turns Easily Under Pressure\*\*\*

Part #	Description	List Price
8108.8350.00	Swivel, 3/8" M x 3/8" F MV #4100801004	\$24.17
8108.8351.00	Swivel, 3/8" M x 3/8" M MV #4100801005	\$24.17
8108.8352.00	Swivel, 3/8" M x 1/4" M MV #4100801006	\$24.17
8108.8353.00	Swivel, 3/8" M x M22-1.5 MV #4100801007	\$24.17

## SWIVEL-High Pressure



- 10.5 GPM Max.
- 4050 PSI
- 320° F Max, Rated (Continuous Use)
- 194° F Max, Working Temp (For Short Periods)
- 3/8" MBSP x 3/8" FBSP
- **Box Qty 10**

Part #	Description	List Price
8116.3501.00	Swivel, Straight, Brass	\$33.86

## SWIVEL-SW ECO



- 11 GPM
- 3200 PSI
- 300°F

Part #	Description	List Price
8108.9126.00	Coupler, 3/8" MPT x 3/8" FPT MV #0212006010	\$11.85

## SWIVEL-Nozzle



- 1500 PSI
- Brass
- **Box Qty 100**

Part #	Description	List Price
8102.6015.00	Swivel, Nozzle	\$12.15

## SWIVEL-SW Std



- 8 GPM
- 4500 PSI
- 302° F Max
- Brass
- **Box Qty 10**

Part #	Description	List Price
8108.8354.00	Swivel, 3/8" M x 3/8" F MV #371703	\$32.38



## TAPE-Teflon



- Better Sealing of Threaded Connections
- High Quality
- 1/2" Rolls
- 480" Length
- **Box Quantity 12**

Part #	Description	List Price
8102.2900.00	Teflon Tape, Roll	\$1.14

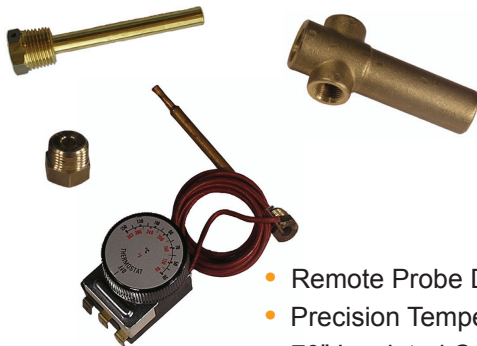
## TERMINATOR-Thermo Engine



- 4000 PSI
- For DC Current Only
- Shuts Engine Down When Pump Hits 145° F

Part #	Description	List Price
8104.0001.00	Thermo Engine Terminator	\$82.91

## THERMOSTAT



- 1/2" BSP Probe
- 4000 PSI
- 250v
- 15 Amp

- Remote Probe Design
- Precision Temperature Control
- 70" Insulated Cap Tube

Part #	Description	List Price
3230.0037.00	194 Degree, 194° F	\$78.01
3230.0036.00	250 Degree, 250° F	\$78.01
3230.0035.00	302 Degree, 302° F	\$78.01
8107.2320.00	Well 1/2" F Top, 3/8" x 3	\$40.83
8107.2307.00	Probe Sheath	\$18.44
2000.0125.00	Bushing, Brass 1/2" NPT	\$41.61
8107.2310.00	Bushing, Brass 1/2" BSP	\$18.93

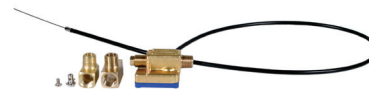
## THREAD LOCK



- Replacement for Loctite
- Medium Strength
- **Box Qty 10**

Part #	Description	List Price
8108.3600.00	Medium 100-200 lbs., 250 ML	\$109.23

## THROTTLE CONTROL



- 4000 PSI
- 1000 PSI Actuation Pressure
- 145° F Max.
- 3/8" NPT Inlet, 42" Cable

Part #	Description	List Price
8102.2701.00	Throttle Control Kit	\$141.54
8102.2701.01	Repair Kit	\$5.04

## UNLOADER-VB-60/600 Zero



- 2.4 GPM Min
- 16 GPM Max
- 8700 PSI
- 195° F
- 1/2" F In/Outlet
- 1/2" F By-Pass

Part #	Description	List Price
8116.2524.00	Unloader, Stainless Steel	\$1694.70
8116.2524.01	Repair Kit VB60/600 Zero	\$420.75

## UNLOADER-VB-80/150 & 400



- 21 GPM
- 195° F Max
- 1/2" FPT Inlet/Outlet
- 1/2" FPT By-Pass
- Stainless Steel

Part #	Rated PSI	Max PSI	Color	List Price
8116.2523.00	2200	2450	White	\$1016.04
8116.2505.00	5800	6500	Black	\$939.03
8116.2505.01	Repair Kit			\$38.54
8116.2505.02	O-Ring Kit, Viton			\$44.35

## UNLOADER-VB-350



- 10.5 GPM
- 3/8" M Inlet
- 3/8" F Outlet
- 1/2" F By-Pass
- 195° F Max.
- **Box Qty 5**

Part #	Rated PSI	Max PSI	List Price
8116.2501.00	5100	5650	\$282.62
8116.2517.01	Repair Kit		\$111.66

### UNLOADER-VHP 39



- 10.5 GPM
- 5070 PSI Rated
- 5650 PSI Max
- 194° F Max
- 3/8" FPT In/Outlet
- 3/8" FPT By-Pass x 2
- **Box Qty 5**

Part #	Description	Color	List Price
8108.2546.00	Unloader MV #4072000012	Yellow	\$234.35
8108.2547.00	Unloader w/EZ Start MV #4072000013	Yellow	\$234.66
8108.2546.01	Repair Kit MV #4079900009		\$55.04

### UNLOADER-VRT 100



- 26.4 GPM
- 194° F Max
- 1/2" F In/Outlet & By-Pass

Part #	Description	Color	List Price
8108.2564.00	Unloader, 2760 PSI MV #4072000035	Yellow	\$256.12
8108.2565.00	Unloader, 4800 PSI MV #4072000036	Blue	\$256.12
8108.2566.00 <sup>1</sup>	Unloader, 5075 PSI	Green	\$278.67
8108.2567.00 <sup>2</sup>	Unloader, 5075 PSI	Green	\$287.50
8108.2565.01	Repair Kit MV #4079900013		\$70.46

- 1-Dual By-Pass
- 2-Dual By-Pass With Knob

### UNLOADER-VB-285



- 8 GPM
- 4050 Rated PSI
- 4500 Max PSI
- 195° F Max
- Banjo Kit
- **Box Qty 30**

Part #	Couplings	Outlet	List Price
8116.2500.00	3/8" x 1/2" F	3/8" F	\$346.84
8116.2500.02	Banjo Conversion Kit		\$98.54

### UNLOADER-VB 33



- 21 GPM
- 195° F
- 1/2" FPT Inlet/Outlet
- 1/2" FPT By-Pass
- 1/4" FPT Gauge Port
- **Box Qty 4**

Part #	Rated PSI	Max PSI	List Price
8116.2527.00	4050	4500	\$311.82

### UNLOADER-VB-80/150 & 280



- 21 GPM
- 195° F
- 1/2" FPT Inlet/Outlet
- 1/2" FPT By-Pass
- **Box Qty 4**

Part #	Rated PSI	Max PSI	Color	List Price
8116.2503.00	2200	2450	White	\$243.57
8116.2504.00	4050	4500	Blue	\$256.59
8116.2504.01	Repair Kit, VB 80/150 & 280			\$38.67

### UNLOADER-VB-280



- 10.5 GPM
- 3/8" M Inlet
- 3/8" F Outlet
- 1/2" F By-Pass
- 195° F Max
- **Box Qty 5**

Part #	Rated PSI	Max PSI	List Price
8116.2517.00	4050	4500	\$274.40
8116.2517.01	Repair Kit		\$111.66

### UNLOADER-Pulsar 280



- 8.0 GPM
- 4050 Rated PSI
- 4500 Max PSI
- 195° F Max
- 3/8" FPT In/Outlet
- 3/8" FPT By-Pass x 2
- **Box Qty 15**

Part #	Description	List Price
8116.2509.00	Unloader	\$174.08
8116.2510.00	Unloader, w/EZ Start	\$174.08
8116.2509.01	Repair Kit, Pulsar 280	\$35.35

## UNLOADER-Pulsar 4



- 10.5 GPM
- 195° F Max
- 3/8" F In/Outlet & By-Pass

Part #	Description	Color	List Price
8116.2536.00	Unloader, 2600 PSI	White	\$161.06
8116.2535.00	Unloader, 4500 PSI	Blue	\$161.06
8116.2535.01	Repair Kit Pulsar 4		\$32.26

## UNLOADER-VRT 3



- 8 GPM
- 194° F Max GPM
- Inlet x 2/Outlet 3/8" FPT
- By-Pass 3/8" FPT x 2



Part #	PSI	Color	Box Qty	List Price
8108.2530.00	2320	Yellow	15	\$105.83
		MV #0215010300		
8108.2533.00 <sup>1</sup>	2320	Yellow	20	\$102.88
		MV #0215010330		
8108.2531.00	3630	Blue	15	\$105.83
		MV #0215010310		
8108.2534.00 <sup>1</sup>	3630	Blue	20	\$102.88
		MV #0215010340		
8108.2532.00	4500	Black	15	\$105.83
		MV #0215010320		
8108.2535.00 <sup>1</sup>	4500	Black	20	\$102.88
		MV #0215010350		
8108.2542.00 <sup>2</sup>	4500	Black	15	\$106.06
		MV #4072000002		
8108.2536.00 <sup>3</sup>	4500	Black	15	\$149.37
		MV #4072000009		
8108.2537.00 <sup>4</sup>	2320	Yellow	15	\$116.59
		MV #0215010360		
8108.2552.00 <sup>5</sup>	4500	Black	15	\$190.35
		MV #4078000019		
8108.2530.01	Repair kit, 2320 & 3630 PSI			\$25.67
		MV #4079900004		
8108.2532.01	Repair kit, 4500 PSI			\$26.73
		MV #4079900005		
8108.2542.01	EZ Start			\$16.90
		MV #R0000116		
8108.2530.02	Knob			\$14.16
		MV #400305		
8108.2530.03	Cap, Yellow			\$4.79
		MV #0128740070		
8108.2532.03	Cap, Black			\$3.99
		MV #4079900005		

1-No Knob; 2-Includes EZ Start; One Inlet  
 3-Includes Microswitch 250V/16A; One Inlet  
 4-1/4" Gauge Port; 5-Panel Mount with PS6 Switch

## UNLOADER-VRT 3 Multi-Function



- 8 GPM
- 4500 PSI Max
- 194° F Max
- Thermal Relief
- EZ Start
- **Box Qty 15**

Part #	Inlet	Outlet	By-Pass	List Price
8108.2539.00 <sup>1</sup>	3/8" FPT	3/8" MPT	3/8" FPT	\$196.93
		MV #4072000019		
8108.2540.00 <sup>2</sup>	3/8" FPT	3/8" FPT	3/8" FPT	\$164.55
		MV #4072000020		
8108.2538.00 <sup>3</sup>	3/8" MPT	3/8" MPT	3/8" FPT	\$198.09
		MV #4078000003		

1-Includes Pressure Relieve Valve & Adj. Injector 2.1  
 2-Includes Pressure Relieve Valve  
 3-Includes Adj. Injector 2.1

## UNLOADER-VRT-3 Panel Mount



- 8 GPM
- 4500 PSI
- 194° F
- 3/8" FPT In/Outlet
- 3/8" FPT By-Pass x 2
- **Box Qty 15**

Part #	Description	List Price
8108.2552.00	Unloader, Panel Mount	\$190.35
8108.2532.01	Repair Kit	\$26.73

## UNLOADER-VB 80/280 Zero



- 5.3 GPM Min
- 21 GPM Max
- 4050 PSI
- 195° F
- 1/2" F In/Outlet
- 1/2" F By-Pass
- **Box Qty 4**

Part #	Description	List Price
8116.2526.00	Reduced Trapped Pressure	\$501.63
8116.2526.01	Repair Kit VB 80/280 Zero	\$15.83

## UNLOADER-Pulsar Zero



- 2.4 GPM Min
- 10.5 GPM Max
- 4050 PSI
- 195° F
- 3/8" FPT In/Outlet
- 3/8" FPT By-Pass x 2
- **Box Qty 12**

Part #	Description	List Price
8116.2521.00	Reduced Trapped Pressure	\$305.00
8116.2521.01	Repair Kit	\$91.51

## UNLOADER-Trapped Pressure



**MV 595**

- 8.0 GPM
- 140° F Max
- Built-in Thermal Relief Valve
- Built-in EZ Start Valve
- Built-in Safety Valve

Part #	Inlet	Outlet	By-Pass	PSI	List Price
8108.2512.00*	3/8" F	3/8" F	1/4" F	4000	\$148.05
	MV #0215003310		<b>MV 595</b>		
8108.2502.01	Repair Kit	<b>MV 595</b>			\$50.59
	MV #0215103320				
8108.2502.02	Injector Repair Kit	<b>MV 595</b>			\$23.66
	MV #0203100010				

## UNLOADER-Pulsar 3



- 8 GPM
- 3200 Rated PSI
- 3650 Max PSI
- 195° F Max
- 3/8" F In/Outlet & By-Pass

Part #	Description	Color	List Price
8116.2539.00	Unloader	Blue	\$142.16

## UNLOADER-Pulsar 3



- 8.0 GPM
- 195° F Max
- Inlet 3/8" FPT x 2
- Outlet 3/8" FPT
- By-Pass 3/8" FPT x 2
- **Box Qty 15**

Part #	Rated PSI	Max PSI	List Price
8116.2508.00	3200 PSI	3650 PSI	\$153.94
8116.2515.01	Seat & O-Ring Kit		\$11.97
8116.2515.02	Repair Kit		\$37.82
8116.2515.03	Repair Kit, Pack of 5		\$149.48

## UNLOADER-VB 75



- 8 GPM
- 3200 Rated PSI
- 3650 Max PSI
- 195° F Max
- Banjo Kit
- **Box Qty 20**

Part #	Couplings	Outlet	List Price
8116.2516.00	3/8" x 1/2" F	3/8" F	\$186.16
8116.2516.01	Repair Kit, VB 75		\$41.94

## UNLOADER-VB 55



- 8.0 GPM
- 3200 Rated PSI
- 3650 Max PSI
- 195° F Max
- Banjo Kit
- **Box Qty 20**

\*Used on RW Pumps

Part #	Couplings	Outlet	List Price
8116.2520.00	3/8" x 1/2" F	3/8" F	\$185.54
8116.2520.01	Repair Kit, VB-55		\$65.56

## UNLOADER-VRS 3



- 8 GPM
- 3190 Rated PSI
- 3630 Max PSI
- 194° F Max
- 3/8 F In/Outlet & By-Pass

Part #	Description	Color	List Price
8108.2548.00	Unloader	Blue	\$107.92
	MV #4072000021		
8108.2549.00	Unloader, No Knob	Blue	\$111.56
	MV #4072000018		
8108.2530.01	Repair Kit		\$25.67
	MV #4079900004		

## UNLOADER-VRC 25

\*\*\*Compensated\*\*\*



- 8 GPM
- 3625 PSI
- 194° F Max GPM
- Inlet/Outlet 3/8" FPT
- By-Pass 3/8" FPT
- Gauge Port 1/4" FPT
- **Box Qty 15 (8108.2581.00--20)**

Part #	Description	List Price
8108.2580.00	Unloader	\$153.70
	MV #0215010510	
8108.2581.00	Unloader, No Knob	\$150.14
	MV #0215010520	
8108.2580.01	Repair Kit, Unloader	\$48.81
	MV #4079900011	



## UNLOADER-VRF 2



- 8 GPM
- 3190 Rated PSI
- 3625 Max PSI
- 194° F Max
- 3/8 F In/Outlet & By-Pass



Banjo Kit

Part #	Description	Color	List Price
8108.2591.00	Unloader, 3625 PSI MV #4072401007	Red	\$93.51
8108.2590.00	With Injector, 3625 PSI MV #4072601021	Red	\$118.22
8108.2593.00	Unloader, 4500 PSI	Blue	\$127.32
8108.2592.00	With Injector, 4500 PSI	Blue	\$127.32
8108.2551.01	Repair Kit MV #4079900014		\$63.22

### Banjo Inlet Kits

Part #	X-Offset	Y-Offset	Inlet	List Price
8108.2570.00	0.0 mm	63 mm	3/8"-1/2"	\$55.31
<b>For Comet BW, LW, AW &amp; ZW Series Pumps</b>				
			MV #0215200500	
8108.9158.00	5.0 mm	53/66 mm	3/8"-1/2"	\$55.31
<b>For Comet FW, HW &amp; FW2 Series Pumps</b>				
			MV #0215200510	
8108.2572.00	19 mm	51 mm	3/8"-1/2"	\$102.19
<b>For Brands Other Than Comet Pumps</b>				
			MV #0215200520	
8108.2573.00	0.0 mm	63 mm	3/8"	\$50.20
<b>For Comet LW Misting Pumps</b>				
			MV #0215200504	
8108.2576.00	19 mm	62 mm	3/8"	\$64.77
<b>For Comet RW Pumps</b>				
			MV #4073900000	

## UNLOADER-VRC 25

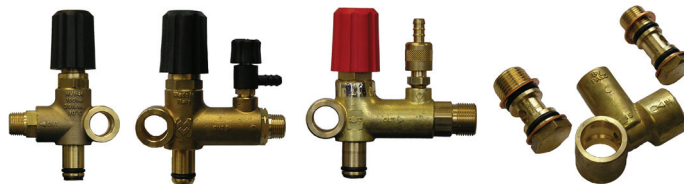


### \*\*\*Compensated\*\*\*

- 8 GPM
- 3625 PSI
- 194° F Max GPM
- Inlet/Outlet 3/8" FPT
- By-Pass 3/8" FPT x 2
- **Box Qty 15**

Part #	Description	List Price
8108.2582.00	Unloader, with Switch MV #0215010530	\$212.58
8108.2583.00	Unloader, With Switch, No Knob MV #0215010540	\$209.02
8108.2582.01	Repair Kit, Unloader with Switch MV #4079900010	\$48.81

## UNLOADER-Trapped Pressure



MV 546  
MV 566

MV 545

MV 565

Banjo Kit

- Eliminates Need for Bypass Hose
- Compact Design
- Increases Production Efficiencies
- Internal Spring

### Bolt-On Unloaders Order with Banjo Kits Below

Part #	PSI	GPM	Outlet	Inject.	List Price
8108.2559.00	2600	8.0	3/8" MPT	Y	\$112.49
				MV #0215009780 <b>MV 545</b>	
8108.2560.00	2600	8.0	M22M	Y	\$112.49
				MV #0215009820 <b>MV 545</b>	
8108.2561.00	2600	8.0	3/8" MPT	N	\$87.54
				MV #0215005510 <b>MV 546</b>	
8108.2562.00	2600	8.0	M22M	N	\$76.85
				MV #0215005520 <b>MV 546</b>	
8108.2556.00	3200	8.0	M22M	Y	\$119.31
				MV #0215006320 <b>MV 565</b>	
8108.2558.00	3200	8.0	M22M	N	\$88.09
				MV #0215006520 <b>MV 566</b>	
8108.2563.00	3500	8.0	3/8" MPT	N	\$85.99
				MV #0215200240 <b>MV 566</b>	
8108.2550.00	3500	8.0	3/8" MPT	Y	\$97.46
				MV #0215200230 <b>MV 565</b>	
8108.2555.02	Repair Kit for MV 565 Unloader				\$27.47
				MV #0215101020	
8108.2555.01	Chem Inj for MV 565 Unloader				\$25.79
				MV #0203100020	
8108.2559.18	Chem Inj for MV 545 Unloader				\$13.86
				MV #0203100041	

### Banjo Inlet Kits

Part #	X-Offset	Y-Offset	Inlet	List Price
8108.2570.00	0.0 mm	63 mm	3/8"-1/2"	\$55.31
<b>For Comet BW, LW, AW &amp; ZW Series Pumps</b>				
				MV #0215200500
8108.9158.00	5.0 mm	53/66 mm	3/8"-1/2"	\$55.31
<b>For Comet FW, HW &amp; FW2 Series Pumps</b>				
				MV #0215200510
8108.2572.00	19 mm	51 mm	3/8"-1/2"	\$102.19
<b>For Brands Other Than Comet Pumps</b>				
				MV #0215200520
8108.2573.00	0.0 mm	63 mm	3/8"	\$50.20
<b>For Comet LW Misting Pumps</b>				
				MV #0215200504
8108.2576.00	19 mm	62 mm	3/8"	\$64.77
<b>For Comet RW Pumps</b>				
				MV #4073900000

## UNLOADER-VR 56



- 8 GPM
- 3625 PSI
- 194° F
- 3/8" FPT By-Pass
- 1/4" FPT Gauge Port

Part #	Description	List Price
8108.2551.00	Unloader, 3/8" F In/Outlet MV #4072000030	\$99.24
8108.2551.01	Repair Kit MV #4079900014	\$63.22

## UNLOADER-MV 580



- 8 GPM
- 3600 PSI
- 200° F Max
- In/Outlet 3/8" FPT
- By-Pass 1/4" FPT
- **Box Qty 20**

Part #	Description	List Price
8108.2506.01	Unloader, without Knob MV #0215003030	\$84.83

## UNLOADER-Trapped Pressure



- 8 GPM
- 3600 PSI
- 200° F Max
- **Box Qty 20**

Part #	I/O	By-Pass	MV	List Price
8108.2506.00	3/8" FPT	1/4" FPT x 1	<b>MV 580</b>	\$83.23
8108.2503.01	Repair Kit			\$48.32
8108.2504.01	Knob			\$15.21

## UNLOADER-VB-200/150



- 53 GPM
- 195° F
- 1" FPT Inlet/Outlet
- 1" FPT By-Pass

Part #	Rated PSI	Max PSI	List Price
8116.2502.00	2200	2450	\$700.00
8116.2502.01	Repair Kit		\$134.70

## UNLOADER-VR 54



- 8 GPM
- 194° F Max
- 3/8 F In/Outlet & By-Pass

Part #	Description	Color	List Price
8108.2541.00*	Unloader, 2175 PSI MV #4072000056	Black	\$77.16
8108.2543.00	Unloader, 2900 PSI MV #4072000041	Red	\$80.34
8108.2544.00	Unloader, 2175 PSI MV #4072000051	Black	\$77.16
8108.2543.01	Repair Kit MV #4079900016		\$28.31

\*With Locking Nut

## UNLOADER-VB 85/150



- 21 GPM
- 2300 Rated PSI
- 2600 Max PSI
- 195° F Max
- 1/2" F In/Outlet & By-Pass

Part #	Description	List Price
8116.2533.00	Unloader	\$276.57
8116.2533.01	Repair Kit VB 85/150	\$83.45

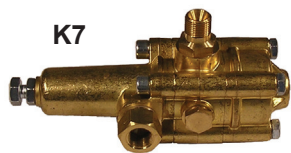
## UNLOADER-Trapped Pressure



- 8 GPM
- 200° F Max
- Pressure Activated
- **MV 520**
- **Box Qty 15**

Part #	PSI	In/Outlet	By-Pass	List Price
8108.2514.00	2000	3/8" MPT	3/8" FPT	\$74.37
			MV #0215004120	
8108.2501.01	Repair Kit			\$26.91
			MV #0215101000	
8108.2559.01	Knob			\$3.29
			MV #0119740010	

## UNLOADER-Flow Sensing K7



K7

- 165°F Max Temp
- 0-3000 PSI
- Eliminates Trapped Pressure Between Pump & Gun

Part #	GPM	Inlet	Outlet	By-Pass	List Price
8110.2503.00	2.9-4.2	3/8" F	3/8" M	3/8" F	\$271.00
8110.2504.00	4.2-6.6	3/8" F	3/8" M	3/8" F	\$387.00

## UNLOADER-Mounting Block



- 4000 PSI Max
- 2 - 3/8" FPT Ports
- Solid Machined Part
- 5/16" x 18 Mounting Holes
- For Remote Mounting of Unloader Valves

Part #	Description	List Price
8102.0551.00	Mounting Block, Aluminum	\$24.97
8102.0552.00	Mounting Block, Zinc Plated	\$28.09

## VALVES-Ball, Shut-Off



- 7400 PSI Industrial Duty
- Chrome Plated Steel Ball
- Zinc Plated Steel Body
- 212°F

Part #	Description	GPM	List Price
8109.2601.00	1/4" FPT x 1/4" F	2.64	\$74.37
8109.2602.00	3/8" FPT x 3/8" F	6.60	\$81.18
8109.2603.00	1/2" FPT x 1/2" F	10.57	\$84.33

## VALVES-Ball, Shut-Off



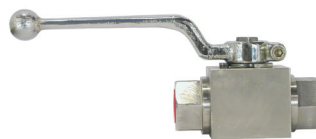
- Chrome Plated Steel Ball
- Zinc Plated Steel Body
- 212°F

Part #	Description	GPM	PSI	List Price
8402.2601.00	1/4" FPT x 1/4" F	1.79	7250	\$53.08
8402.2602.00	3/8" FPT x 3/8" F	4.97	7250	\$57.66
8402.2603.00	1/2" FPT x 1/2" F	8.41	7250	\$73.12



8402.2604.00	3/4" FPT x 3/4" F	19.9	7250	\$72.22
8402.2608.00	1" FPT x 1" F	31.1	5000	\$94.44

## VALVES-Ball, Shut-Off



- 7000 PSI
- Stainless Steel Body
- 212°F

Part #	Description	List Price
8102.2640.00	Ball Valve, 3/8" FPT x 3/8" FPT	\$180.10

## VALVES-Ball, Shut-Off



- 3000 PSI
- Brass Body
- 176° F
- Box Qty 5

Part #	Description	List Price
8107.2630.00	Ball Valve, 3/8" F x 3/8" F	\$93.82
8107.2631.00	Ball Valve, 1/2" F x 1/2" F	\$117.06

## VALVES-Ball, Shut-Off



- 1500 PSI
- 300° F

Part #	Description	List Price
7600.2604.00	Ball Valve, 1/4" M x 1/4" F	\$11.22

## VALVES-Ball, Shut-Off, 3-Way



- Chrome Plated Steel Ball
- Zinc Plated Steel Body
- 212°F

Part #	Description	GPM	PSI	List Price
8402.2623.00	1/2" FPT x 1/2" F	8.41	7250	\$80.00
8402.2620.00	3/4" FPT x 3/4" F	19.9	7250	\$125.83
8402.2621.00	1" FPT x 1" F	31.1	5000	\$162.50
8402.2622.00	1-1/4" FPT x 1-1/4" F	50.9	5000	\$327.78

## VALVES-EZ Start



- Release Trapped System Pressure
- For Starting Gasoline Engines
- 8 GPM
- 4100 PSI Max
- 195° F
- Box Qty 10

Part #	Description	List Price
8107.1750.00	3/8" MPT, 90° w/Hose Barb	\$48.57



## VALVES-EZ Start



- Release Trapped System Pressure
- For Starting Gasoline Engines
- 3500 PSI Max
- 1/4" Hose Barb

Part #	Description	List Price
8102.1750.00	3/8" MPT w/Hose Barb	\$27.46

## VALVES-Jetter



- Converts Triplex Pump to Duplex Pump
- Replaces Inlet Valve Cap

Part #	Used on Pump	List Price
0608.0034.00	LW, FW & ZW up to 3000 PSI	\$135.20
0608.0035.00	ZW, HW, RW & SW over 3000 PSI	\$135.20
0608.0036.00	RW & TW up to 3600 PSI	\$158.90
0608.0037.00	TW over 3600 PSI	\$162.70

## VALVES-Metering



- Precise Chemical Metering
- 3 GPM
- 440 PSI Max.
- 100° F Max. Temp.
- **Box Qty 25**

Part #	Description	List Price
8107.3401.00	Metering Valve, 1/4" F	\$36.10

## VALVES-Pressure Regulating



- 21 GPM
- 8100 Rated PSI
- 8700 Max PSI
- 195° F Max
- 1/2" FBSP Inlet, Outlet & By-Pass

Part #	Description	List Price
8116.2506.00	Regulating Valve, VRP 600	\$985.28

## VALVES-Pressure Relief



Part #	Description	List Price
8102.2621.00	3/8" MPT, 6 GPM, 6000 PSI, 195° F	\$32.15
8107.2620.00	1/4" M Inlet, 6.3 GPM, 2200 PSI, 195° F	\$24.64

## VALVES-Pressure Relief SVT 40



- 6.6 GPM
- 5800 PSI
- 194° F
- **Box Qty 24**

Part #	Description	List Price
8108.7624.00	Valve, 2-3/8" FPT Inlet x 3/8" FPT Outlet MV #0215010430	\$106.83

## VALVES-Pressure Relief SVT 28



- 6.6 GPM
- 4060 PSI
- 194° F
- **Box Qty 24**

Part #	Description	List Price
8108.7620.00	Valve, 3/8" FPT Inlet x 2/Outlet MV #0215010190	\$67.09

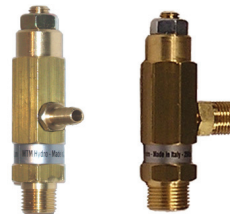
## VALVES-Pressure Relief SVL 28



- 6.6 GPM
- 4060 PSI
- 194° F
- **Box Qty 24**

Part #	Description	List Price
8108.7621.00	Valve, 3/8" FPT Inlet x 3/8" Outlet MV #0215010220	\$63.29

## VALVES-Pressure Relief



- 8 GPM
- 3600 PSI
- 195° F
- Adjustable Pressure Relief
- **Box Qty 25**

Part #	Description	List Price
8107.2621.00	3/8" M, 1/4" Discharge	\$41.37
8107.2621.01	3/8" M, 1/4" Hose Barb Discharge	\$42.30

## VALVES-Safety



- 4 GPM
- 3000 PSI
- 176° F
- Adjustable Pressure Relief

Part #	Description	List Price
1215.0311.00	Safety Valve 1/8" M	\$24.79



### VALVES-Pressure Regulating



- 120 GPM
- 2900 Rated PSI
- 3200 Max PSI
- 195° F
- 1-1/4" FPT In/Outlet
- 1-1/2" FPT By-Pass

Part #	Description	List Price
8116.2623.00	Regulating Valve, VRP 450-200	\$2463.05

### VALVES-Pressure Relief SVT 17



- 6.6 GPM
- 2400 PSI
- 194° F
- **Box Qty 24**

Part #	Description	List Price
8108.7622.00	Valve, 2-3/8" FPT Inlet x 3/8" FPT Outlet MV #4072000032	\$67.09

### VALVES-Pressure Relief SVL 17



- 6.6 GPM
- 2400 PSI
- 194° F
- **Box Qty 24**

Part #	Description	List Price
8108.7623.00	Valve, 3/8" FPT Inlet x 3/8" FPT Outlet MV #4072000031	\$63.29

### VALVES-Regulating, Flow VP 2



- 8 GPM
- 4060 PSI
- 320° F
- Inlet 1/4" F; Outlet 1/4" M
- **Box Qty 10**

Part #	Description	List Price
8108.8220.00	Valve, Flow Restrictor MV #4130100001	\$48.42

### VALVES-Safety Relief VS 310



- 11 GPM
- 5100 PSI
- 195° F
- **Box Qty 4**

Part #	Description	List Price
8116.2625.00	Valve, 3/8" FPT Inlet & By-Pass	\$128.14

### VALVES-Thermal Relief



- 200 PSI
- 145° F Relief Temp.
- Protects Pumps from Overheating

Part #	Description	List Price
8102.1700.00	Thermal Relief Valve 3/8"	\$13.48
8102.1701.00	Thermal Relief Valve 1/2"	\$15.56

### VALVES-Thermal Relief



- 200 PSI
- 145° F Relief Temp.
- Protects Pumps from Overheating

Part #	Description	List Price
8402.1700.00	Thermal Relief Valve 3/8"	\$8.97

### VALVES-Thermal Relief



- 145 PSI Max. Inlet Pressure
- 133° F Relief Temp.
- Protects Pumps from Overheating

Part #	Description	List Price
1215.0523.00	Thermal Relief Valve 1/4"	\$22.62
1215.0354.00	Thermal Relief Valve 3/8"	\$21.77
1215.0355.00	Thermal Relief Valve 1/2"	\$21.77

### WATER BROOM



- 1/4" QD Plug
- 4000 PSI

Part #	Description	List Price
8402.2500.00	12", 3 GPM, 3 Nozzles	\$76.82
8402.2501.00	16", 3 GPM, 4 Nozzles	\$87.70
8113.3163.00	Nozzle, Meg, 1/4" 6513	\$7.16

# Pressure Washers

## DIESEL-FDX 16/200



- 2900 PSI
- 4 GPM
- Pneumatic Wheels
- Yanmar L100 Engine
- Electric Start
- No Engine-Oil Safety Device
- Regulated Low-Pressure Detergent Suction
- Large Water Filter at Pump Inlet

Part #	Description	List Price
9020.0057.00	Diesel, Pressure Washer	\$12,130.00

### Standard Equipment



- Professional Gun with Swivel



- High Pressure Hose, 32'



- Professional Double Barrel Lance

## SCOUT-Hot Water



- 2 GPM
- 1300 PSI
- 3400 RPM
- Brass Headed Pump
- 120V-60Hz-1 Phase
- 14 Amps
- Includes GFCI w/15" Cord
- 35' Rubber hose
- Professional Gun/Lance
- Includes Hose Reel
- Diesel Burner

Part #	Description	List Price
9044.0011.00	Scout 135 Classic	\$4255.00

## STATIC-Cold Water



- 2.2 GPM
- 1300 PSI
- 115V-60Hz-1 Phase
- 14 Amps-1500W
- Gun & Lance w/Vari-Jet
- Hose Reel w/65'(20m) Rubber Hose
- Turbo Nozzle, Foamer & Rotating Brush
- Wall Mountable

Part #	Description	List Price
9052.0007.00	Static 1700	\$1465.00

## TRACTOR PTO-Pressure Washer



- Complete Pressure Washer
- Includes Frame, Pump & Accessories
- 3 Point Hitch
- 550 RPM Power Take-Off
- Frame Folds for Shipping

Part #	Description	List Price
9045.0001.00	PTO 12/120 w/Frame FW 5530 S	\$4145.00
9045.0002.00	PTO 33/150 w/Frame TW 8030 S	\$4769.00
9045.0003.00	PTO 23/200 w/Frame TWN 6036 S	\$4652.00
9045.0014.00	PTO 21/200 w/Frame RW 5530 S	\$4638.00
9045.0005.00	PTO 30/170 w/Frame TWN 8025 S	\$4768.00
9045.0007.00	PTO 33/150 TW 8030 S, 8.8 @ 2175	\$3849.00
9045.0008.00	PTO 23/200 TWN 6036 S, 8.7@3000	\$3591.00
9045.0016.00	PTO 21/200 RW 5530 S, 5.5 @ 3000	\$3147.00
9045.0010.00	PTO 30/170 TWN 8025 S, 8 @ 2500	\$3668.00
5005.0242.00	Gear Box, 550 RPM	\$615.00
5003.0050.00*	Kit, Conversion, 1000 RPM	\$363.95
8102.1801.00	Oil, Bottle	\$10.43
8102.1802.00	Oil, Case of 12	\$125.11

\*Needed with Gear Box to convert to 1000 RPM for TWN PTO

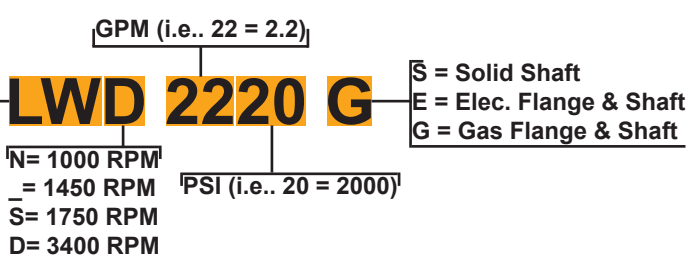


# Conversion Tables & Formulas

<u>Weights &amp; Volumes</u>				<u>Torque</u>				<u>Length Calculations</u>						
Gal.	x	3.785	=	Liters	NM	=	Ft./lb.	x	1.35	.001 in.	x	25.4	=	Microns
Gal.	x	128	=	Ounces	Ft./lb.	=	NM	/	1.35	In.	x	25.4	=	MM
Gal.	x	231	=	Cu. In.	In./lb.	=	Ft./lb.	x	12	MM	x	.03937	=	Inches
Gal.	x	8.3453	=	Pounds	<u>Temperatures</u>				<u>Nozzles</u>					
Ltr.	x	61.02	=	Cu. In.	°C	=	.555(°F-32)	Nozzle # = $GPM \times \left( \sqrt{\frac{4000}{PSI}} \right)$ GPM = Nozzle # $\times \left( \sqrt{\frac{PSI}{4000}} \right)$ PSI = 4000 $\times \left( \frac{GPM}{Nozzle \#} \right)^2$						
Ltr.	x	33.82	=	Ounces	°F	=	(1.8*°C)+32							
Ltr.	x	.2642	=	Gallons	<u>Required Horsepower</u>				<u>Pulley Ratio</u>					
Ltr.	x	1000	=	Cubic CM	GPM x PSI = Elec. Brake HP 1460				$\frac{Motor \ Pulley \ OD}{Pump \ RPM} = \frac{Pump \ RPM}{Motor \ Pulley \ OD}$					
ML (CC)	x	.0338	=	Ounces										
Gram	x	.03527	=	Ounces	GPM x PSI = Hydraulic HP 1714									
PSI	x	.0680	=	Bar										
Bar	x	14.5	=	PSI	GPM x PSI = Gasoline HP 1100									
In. HG	x	.4912	=	PSI										
In. H2O	x	.8226	=	In. HG										

## Sample Pump Model Number LWD 2220 G

- BX** = Small Axial
- BW** = Small Frame
- VRX** = Small Vertical
- AX** = Large Axial
- AW** = Small Frame
- LW** = Small Frame
- ZW** = Large Frame
- FW** = Large Frame
- FW2** = Large Frame
- HW** = Large Frame
- RW** = Premium Series
- SW** = Premium Series
- TW** = Premium Series



# Index

<b>A</b>		<b>F</b>		Jetter Valve.....86
Accumulators.....	48,76	Filters:		Jets-Gas.....50
Adjustable Thermostat.....	79	Chemical.....	54	Jolly Series, Spray Gun & Combo.....61
Aluminum Lances.....	65	High Pressure.....	54	
Anti-Fatigue Strap & Belt.....	67	Hose Soap Assy.....	53	<b>K</b>
Anti-Freeze.....	29,50	HPP Filters.....	47	Keys, Engine.....53
AW Pumps.....	12	Inlet.....	54	
AW Pump Repair Kits.....	12,30,31	Suction, Tank.....	54	<b>L</b>
AX Series Pumps.....	5,6,28	Y-Intake.....	54	Lances:
AX Pump Repair Kits.....	6,30,31	Fittings, Kit, Misc.....	55	Aluminum.....65
Axle Caps.....	51	Flex Coupler.....	55	Dual Lances.....63,64
		Float Tanks & Valves.....	55,56	Extensions.....66,67
<b>B</b>		Flow Restrictor Valve.....	87	Flex.....66
Ball Valves.....	85	Flow Switches.....	77	Gutter.....66
Bell Housing.....	55	Foam Injector Nozzle.....	56	Molded Grip Lances.....64,65
Banjo Kits.....	83	Foot Valve.....	48	Non-Molded Lances.....65
Belt, Cart.....	51	FW Series Pumps.....	15,16,19	Side Grip Handles.....67
Block, Unloader Mounting.....	85	FW Pump Repair Kit.....	16,19,30,31	Telescoping.....67
Brass Fittings.....	55	FW2 Series Pumps.....	20,21	Tip Holder.....67
Brushes.....	50	FW2 Pump Repair Kit.....	21,30,31	Two Piece.....66
Burner Rings.....	50			Vented Grip Lances.....65,66
Burner Ring Nozzle.....	50	<b>G</b>		Wand Saver.....67
Bushing.....	51	Garden Hose Fittings.....	55	Lock, Thread.....79
BW Pumps.....	7,8	Gasket, Manifold.....	29	Love Joy Couplers.....55
BW Pump Repair Kits.....	8,30,31	Gauges, Pressure.....	48,56	LW Series Pumps.....9,10,11,19,28
BX Pumps.....	3,4	Gear Reducers.....	56	LW Pump Repair Kits.....11,30,31
BX Pump Repair Kits.....	4,30,31	Gear Reduced Pumps.....	19	
		GFCI.....	57	<b>M</b>
<b>C</b>		Grommet.....	51	Meg Nozzles.....48,68,69
Carts.....	51	Guns, Extensions.....	48,57,59	Metering Valve.....86
Components, cart.....	51	Gun Lance Combo Guns.....	48,60,61	Misting Pumps.....28
Ceramic Nozzles.....	68	Guns, Triggerless.....	57	Molded Grip Lances.....64,65
Chem. Filter & Hose Assy.....	53	Guns, Trigger.....	57,58,59	Mounting Rails.....11,16,18,21,23,25,27,29
Chemical Injectors.....	62,63	Guns, Weep.....	57,58,59	Mounting Blocks.....85
Chemical Metering Valve.....	86	Gutter Cleaner, Lance.....	66	
Chemical Spray Nozzles.....	68			<b>N</b>
Chemical Suction Filters.....	54	<b>H</b>		Non-Marking Gray Hoses.....61
Clutch.....	51	Hi-Lo Nozzles.....	74,75	Non-Insulated Wands.....65
Concrete Cleaners.....	77	Hobby Kit.....	61	Non-return Valves.....48
16" w/ Brush.....	77	Hose Barbs.....	55	Nozzles:
Connection Kits.....	47	Hose Reel Swivels.....	62	Adjustable.....67
Conversion & Calculation Chart.....	89	Hose Reels.....	62	Burner Ring.....50
Couplers:		Hoses.....	61	Ceramic.....68
Flex.....	55	Hose Assembly-Soap.....	53	Chemical & Soap.....68
Insulated.....	51	Hot Water Seal Kits.....	31	Hi-Lo/IdroJet.....74,75
O-Ring.....	52	HPP Accessories.....	47,48,49,50	Jetter.....73
Quick Connect.....	47,51,52	HPP Connection Kits.....	47	Jolly Spraygun w/Lance.....61
Twist Connect.....	52,53	HPP Pumps.....	32-42	Kits, QC.....68
Coupling, Ball QC.....	53	HPP Pump Repair Kits.....	43,44,45,46	Meg.....48,68,69
		HW Series Pumps.....	17,18,19	Protectors.....67,68
<b>D</b>		HW Pump Repair Kits.....	18,19,30,31	Quick Connect.....68,69
Dip Sticks.....	29			Rotating.....69,70,71,72,73
Dual Lances.....	63,64	<b>I</b>		Rotomax.....69
		Inlet Filters.....	54	Sewer.....73
<b>E</b>		Injectors.....	62,63	Soft/Hard w/Filter.....70
Easy Start Valve.....	85,86	Insertion Tools.....	76	Steam.....73
Engine Shaft Keys.....	53			Tip Holder.....67
Engine Throttle Control.....	79	<b>J</b>		Triple Function.....69
Extraction Tools.....	75	Jetter Nozzles.....	73	Vari.....74,75







# Notes